

BLACK DIAMOND®

Project Name: _____

Location: _____

Item #: _____

Qty: _____

Black Diamond Glass Froster, 1 Sliding Door, 4.9 Cu. Ft. Capacity, in Black

USGF-1L



Upgrade your beverage presentation with the Black Diamond Glass Froster, crafted for high-volume bars, restaurants, and cafes seeking enhanced drink quality and efficiency. Durable black vinyl exterior and coated aluminum interior with an energy-efficient compressor delivers rapid chilling for up to 90 mugs or 85 steins. Automatic temperature control maintains -5° to 2°F for frosted glasses, while R290 refrigerant supports sustainability. Covered by the Black Diamond two-year parts and labor, five-year compressor warranty.

FEATURES AND CONSTRUCTION

- Boasts a 4.9 Cu. Ft. capacity to accommodate a variety of glassware
- Equipped with a 1/5 horsepower compressor for efficient cooling
- Constructed with a durable black vinyl exterior and coated aluminum interior for lasting use
- Maintains a temperature range of -5° to 2°F
- Features a sliding stainless steel door for seamless access
- Includes four adjustable shelves for flexible storage configurations
- Stationary feet ensure stable placement without casters
- Measures 26.7"W x 26.7"D x 34.2"H for easy installation under counters
- Offers a sleek black vinyl exterior for a professional look
- Perfect for pre-chilling glasses for beer, cocktails, and more

ELECTRIC

115V / 60Hz / 1 ph
Cord Length (Inches): 98.40"
Plug Type: NEMA 5-15P
Cord set included

NEMA 5-15P



3RD PARTY APPROVALS



WARRANTY (USA / CANADA)

Two (2) Year Limited Warranty on Parts and Labor, Five (5) Year Warranty on Compressor and Evaporator

Contact us for details at 1.877.368.2797



STORAGE CAPACITY

- Cubic Feet: 4.9 Cu. Ft.
- (90) 8-inch mugs, (85) 10-oz steins

TEMPERATURE

- Holding Temperature (Fahrenheit): -5° - 2°

These models are designed to operate in an environment where temperature and humidity do not exceed 75°F (24°C) and 55% relative humidity

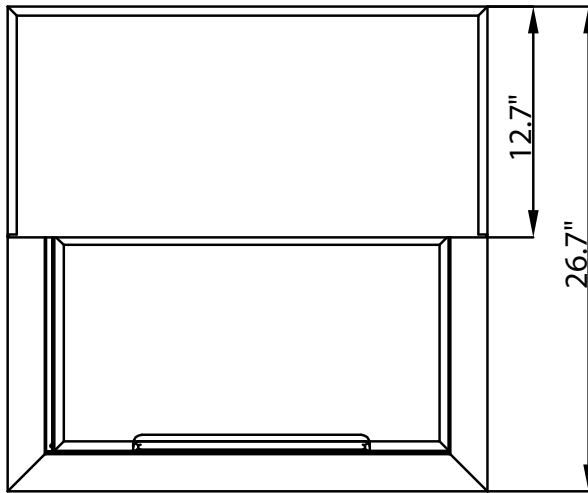
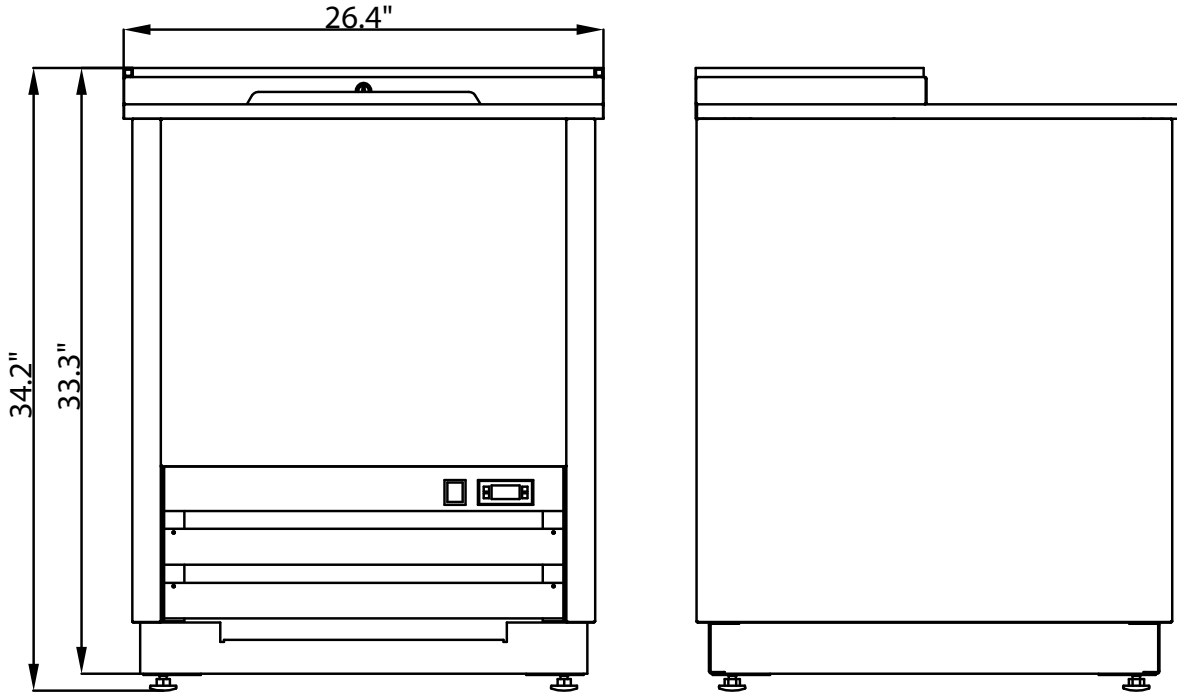


Black Diamond Glass Froster with Sliding Door

USGF-1L

FRONT

SIDE



TOP

Glass Froster

Lids	Shelves	Amps	HP	Refrigerant Type / Oz.	Assembled Dimensions (in)	Item Weight (lbs)	Shipping Weight (lbs)
1	4	3.3A	1/5	R290 2.824	26.40" x 26.70" x 34.20"	127.9	158.0

Due to periodic changes in designs, methods, procedures, policies and regulations, the specifications contained in this document are subject to change without notice. While we exercise good faith efforts to provide information that is accurate, we are not responsible for errors or omissions in information provided or conclusions reached as a result of using the specifications. By using the information provided, the user assumes all risks in connection with such use.