


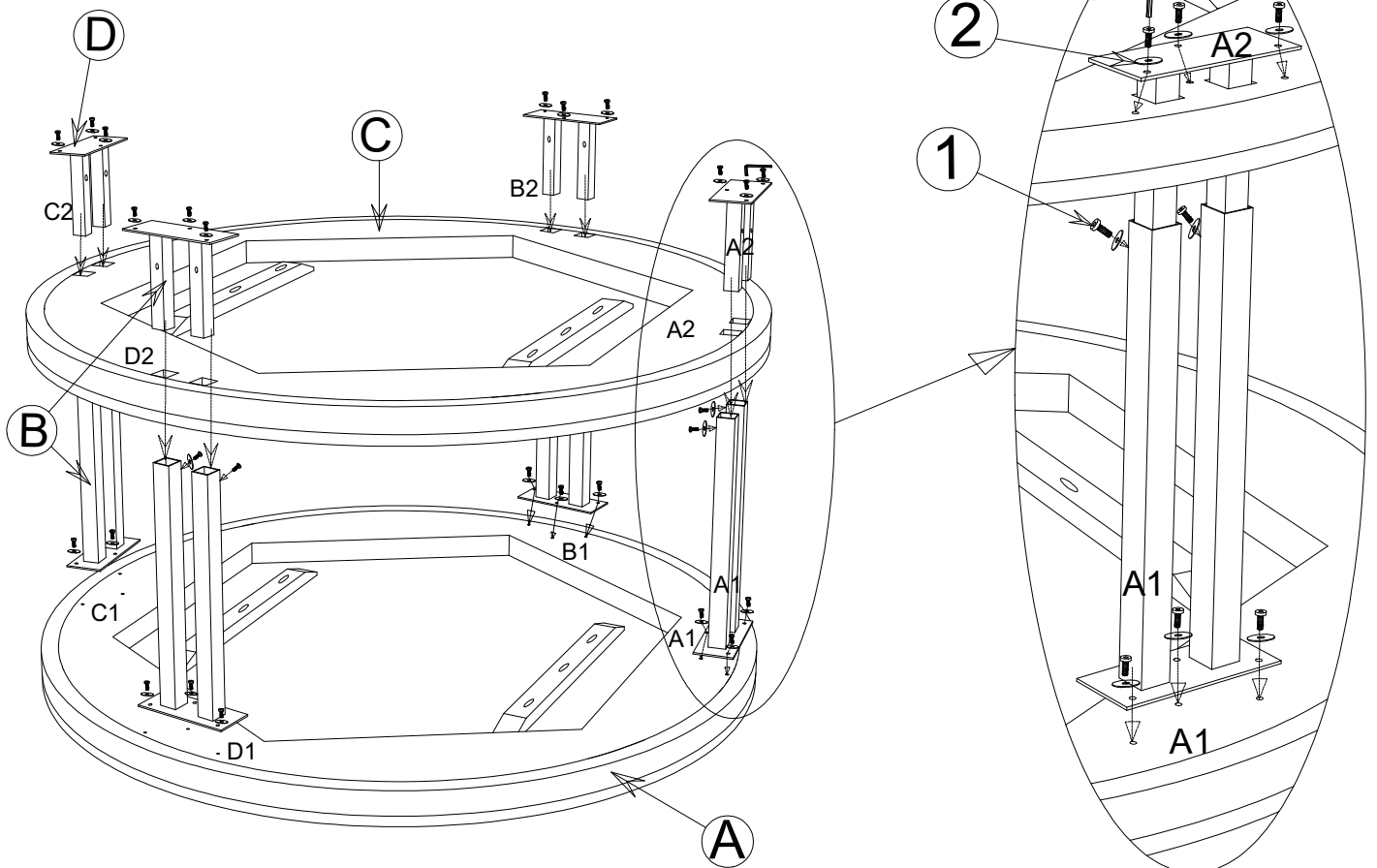
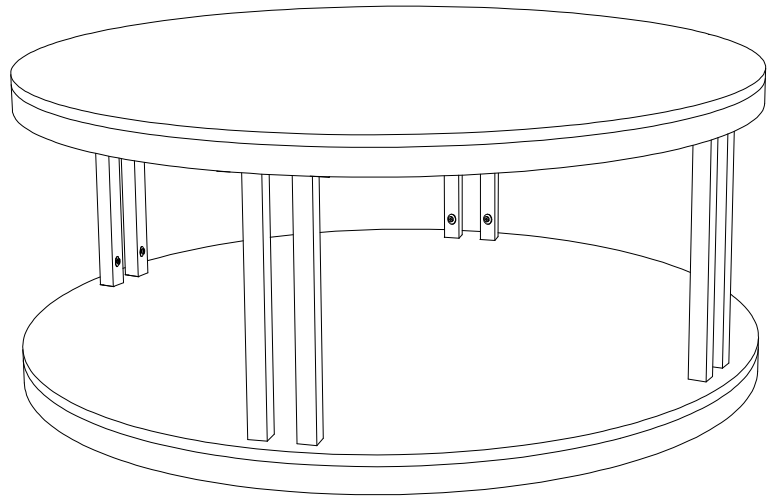


ASSEMBLY INSTRUCTION FOR 26102 ROUND COFFEE TABLE

HARDWARE LIST

NO.	ITEM	DESCRIPTIN	QTY.
1		JCB Bolt M6X20 MM	32
2		Flat washer M8X16 MM	32
3		Allen wrench	1



TO ASSEMBLY :

- STEP 1 : Unpack round coffee table and turn the top assembly (A) upside down. on a clean, soft surface.
 STEP 2 : Match the iron legs(B). use matching marks A1,A2 & B1,B2 - on top (A) & base assembly (C).
 STEP 3 : Align holes in legs (B) with holes on bottom of top (A) & base assembly (C) and slide it into position.
 STEP 4 : Thread the flat washer(2) ,JCB bolt (1) to leg (B) . Do not tighten bolts fully until all bolts are started.
 STEP 5 : Tighten bolts in step 4 fully with allen wrench (3) then carefully turn the round coffee table upright.