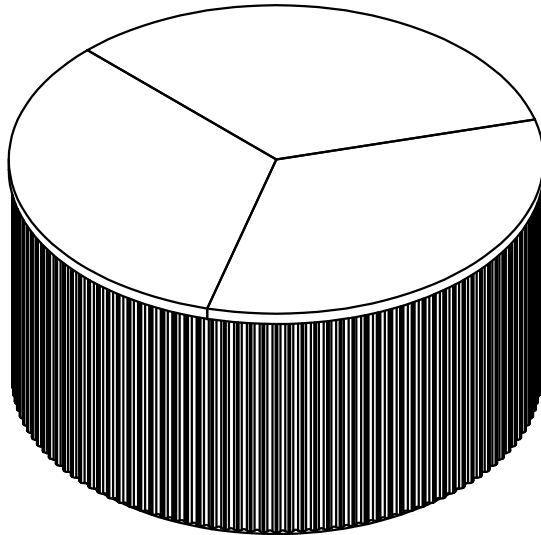


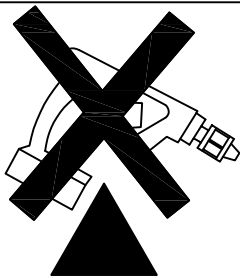
# ASSEMBLY INSTRUCTION

## Amos Round Coffee Table 30"

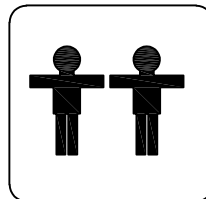


### REPLACEMENT PARTS

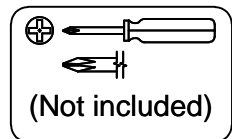
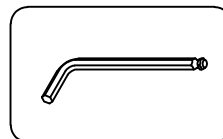
Please do not contact the company purchased from as we can help you faster.  
Order replacement parts and hardware at "[www.boltonfurniture.com](http://www.boltonfurniture.com)"



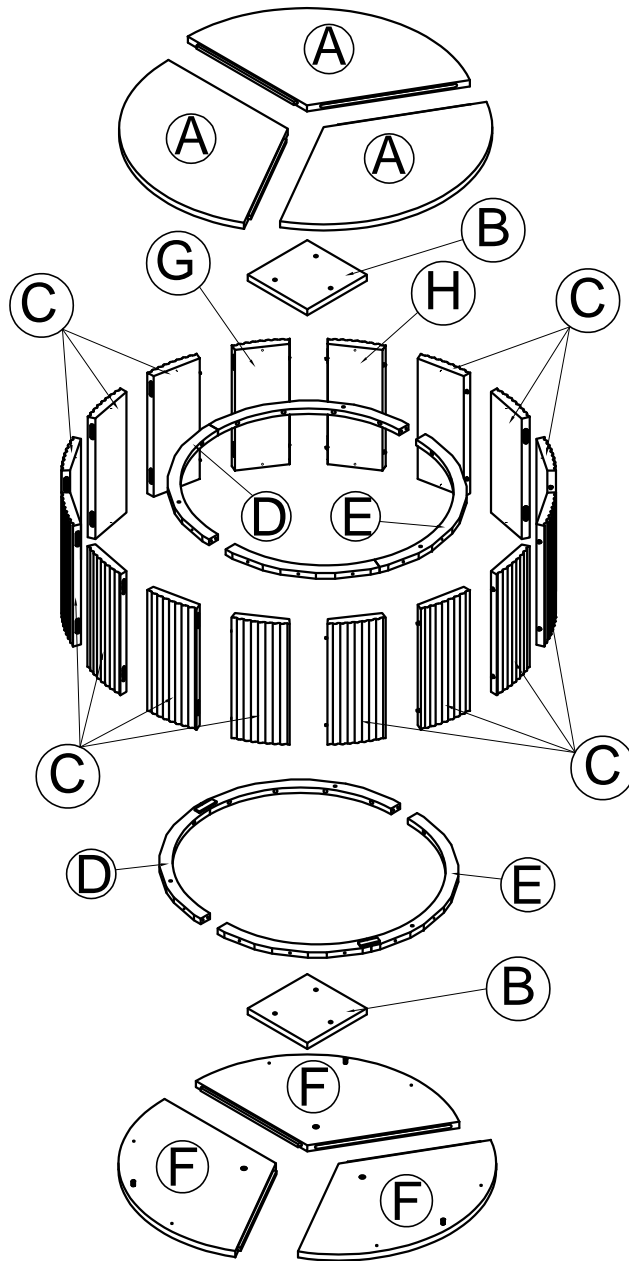
- . Use of power tool to assemble this product will invalidate any claim and damage this product making it unsafe !!!
- . Please assemble on a clean soft surface to avoid damage.




### Tools Required




# Part list - Amos Round Coffee Table 30"




**Identifying the hardware**-Identify the hardware using the illustrations below


①  09  
M6 x 30mm

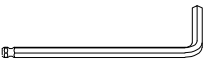
②  8  
Ø6 x 30mm

③  08  
Ø4x15mm

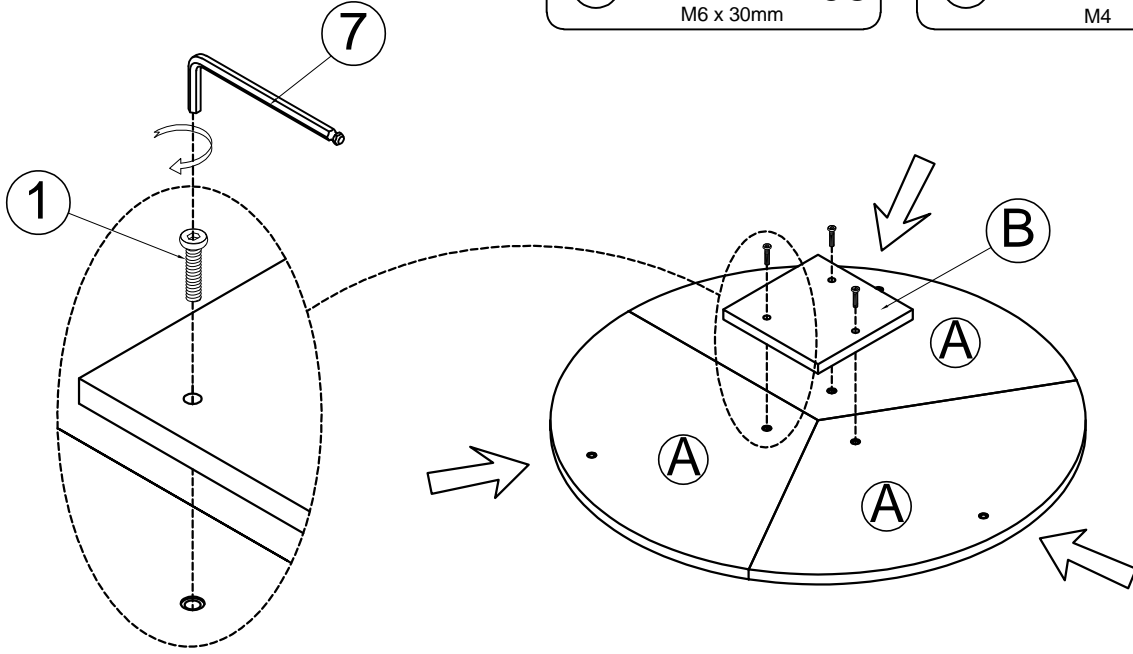
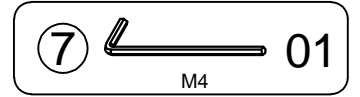
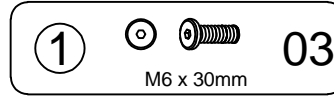
④  38  
Ø4x30mm

⑤  04  
Metal Bracket

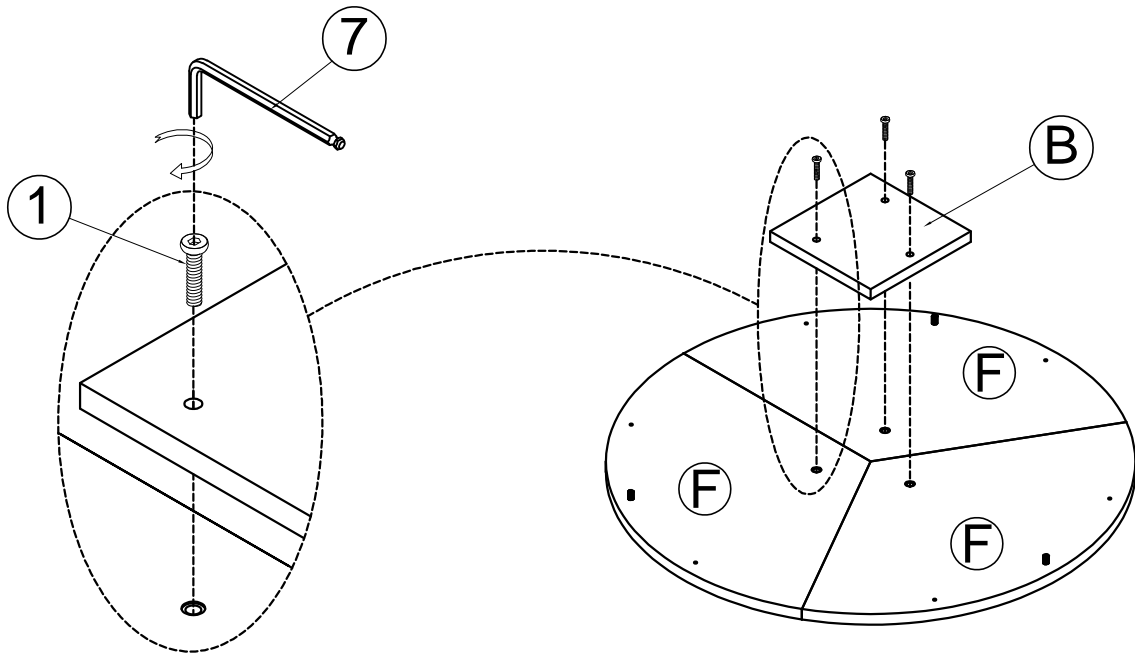
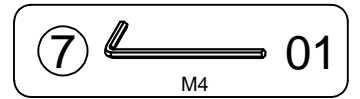
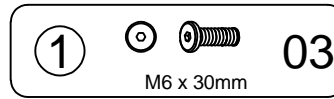
⑥  04  
50x20x2mm

⑦  01  
M4

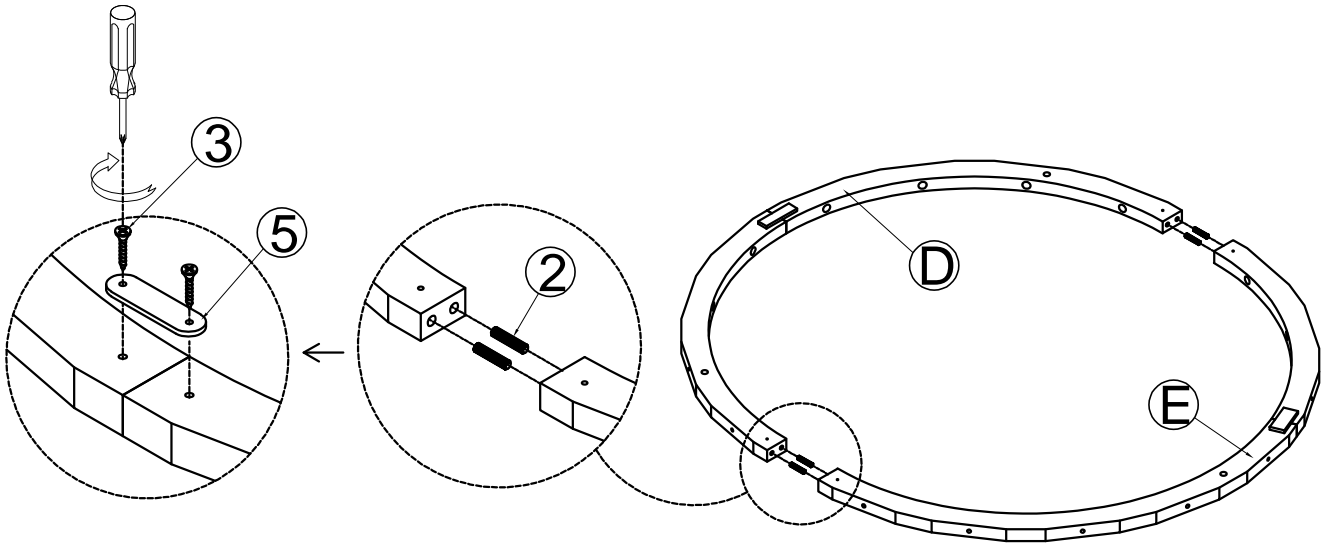
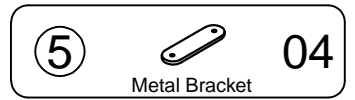
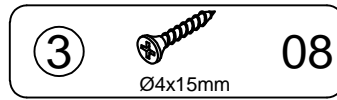
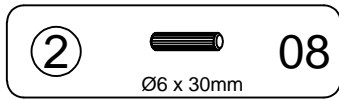
STEP 1



STEP 2

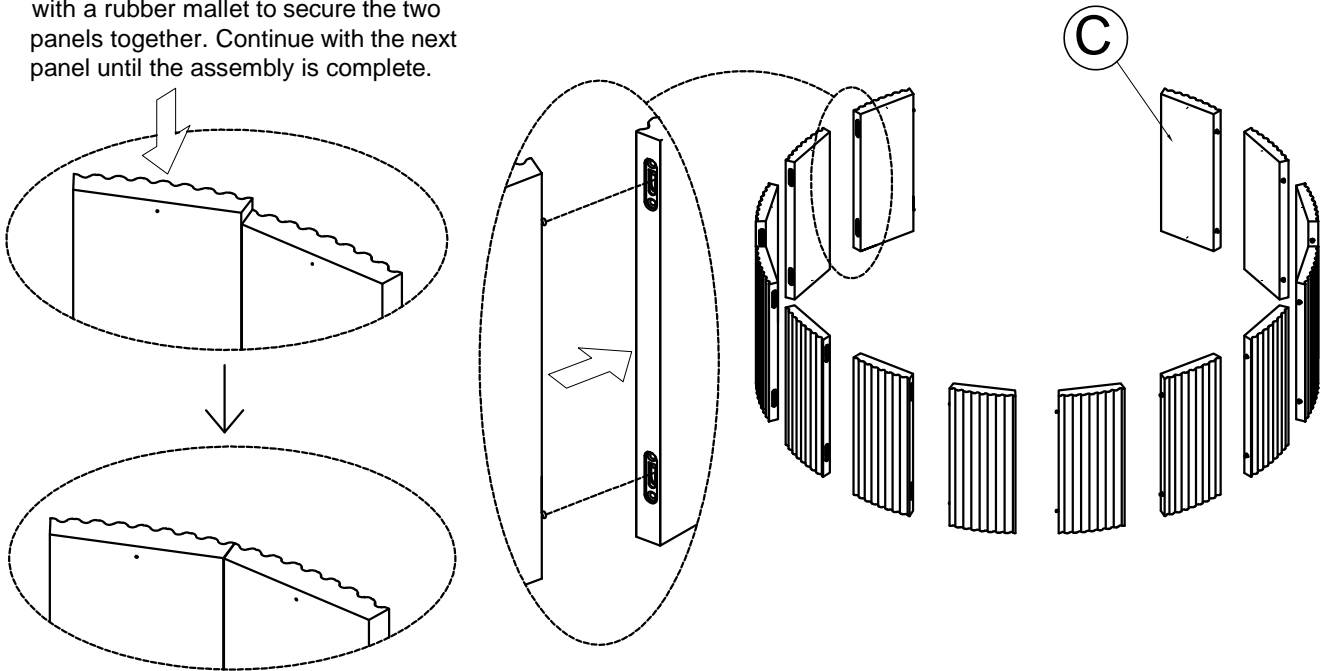


### STEP 3

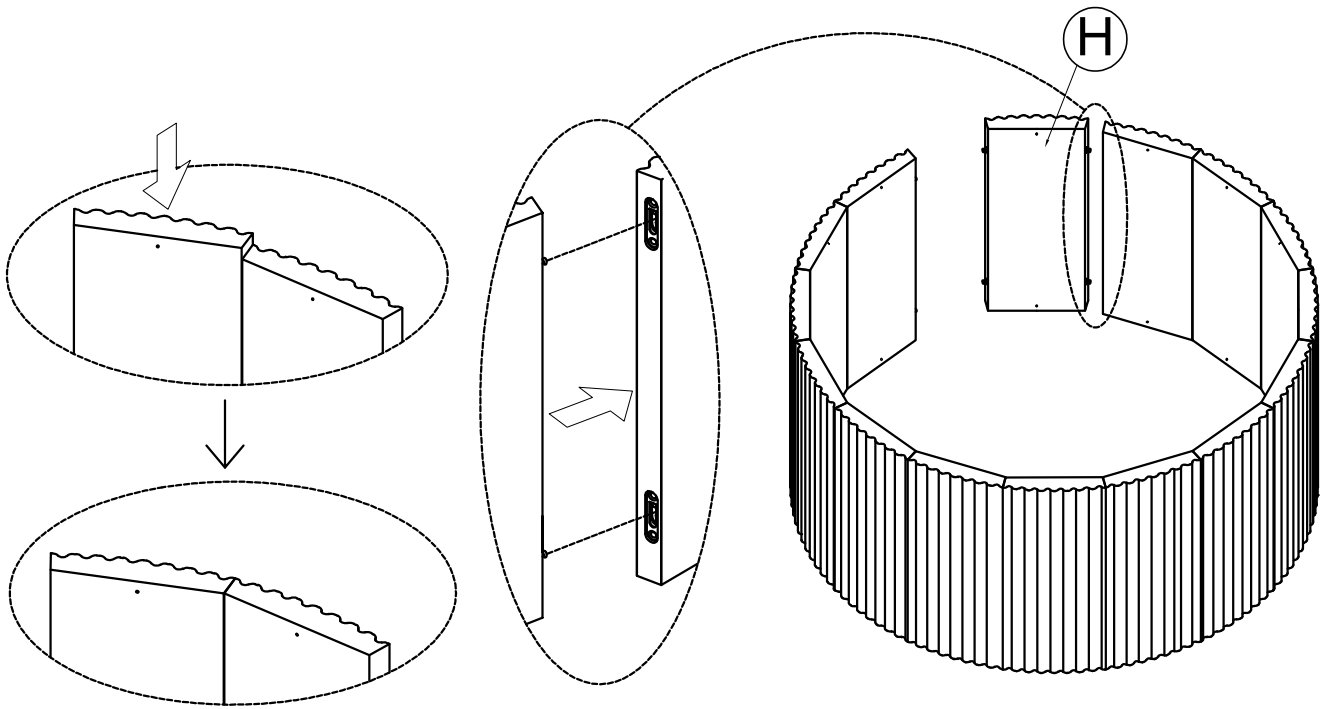


### STEP 4

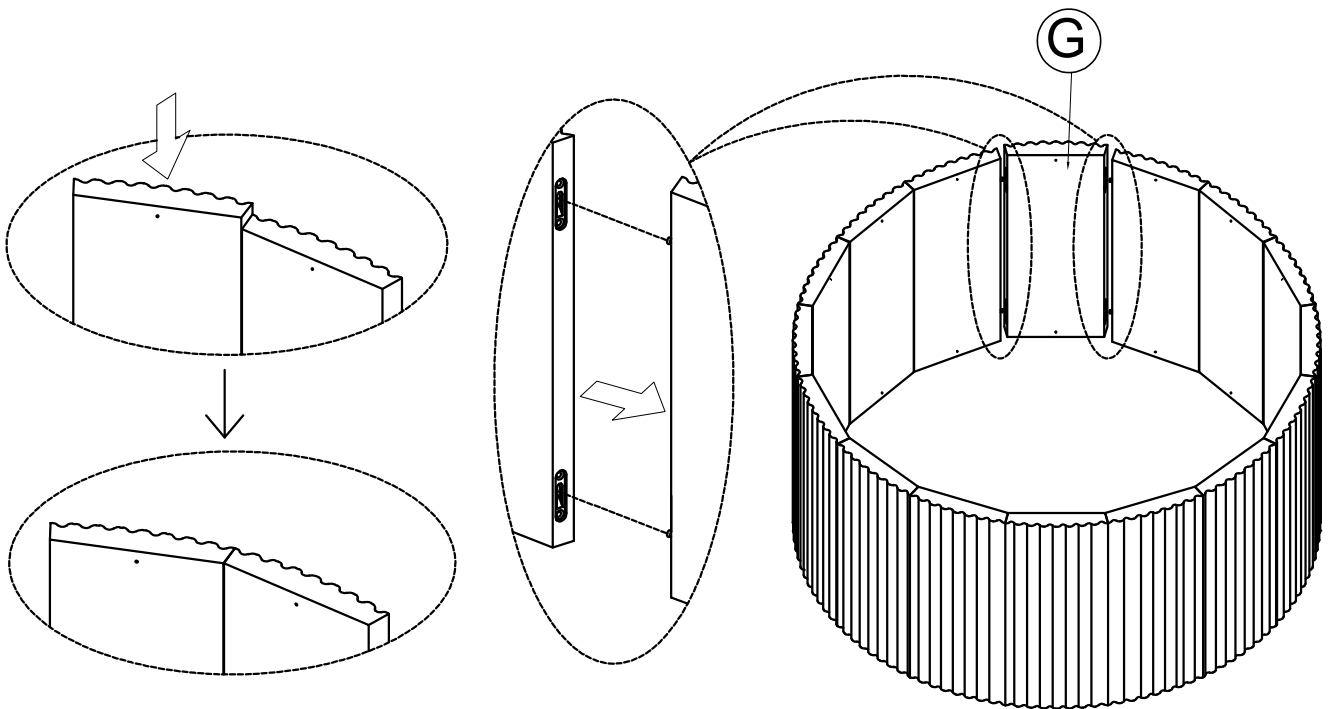
Press down firmly by hand or tap gently with a rubber mallet to secure the two panels together. Continue with the next panel until the assembly is complete.



## STEP 5

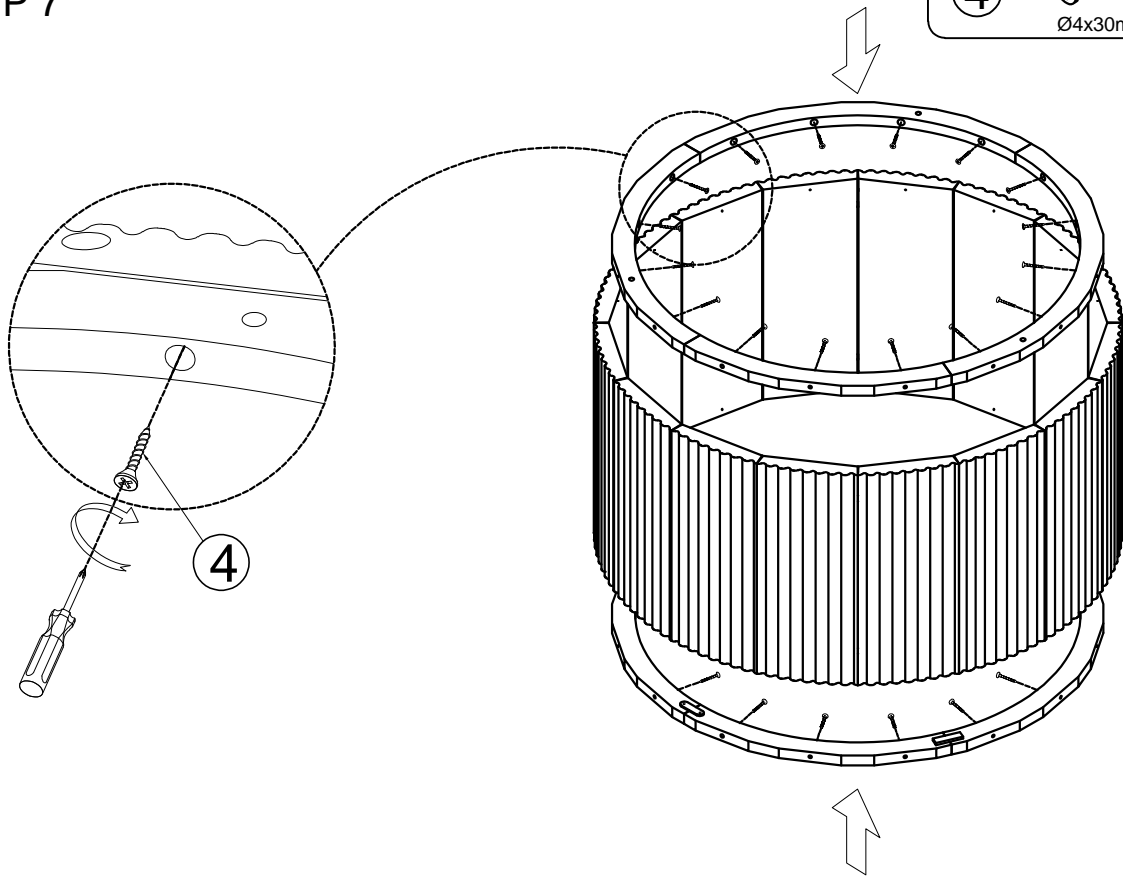


## STEP 6





# STEP 7

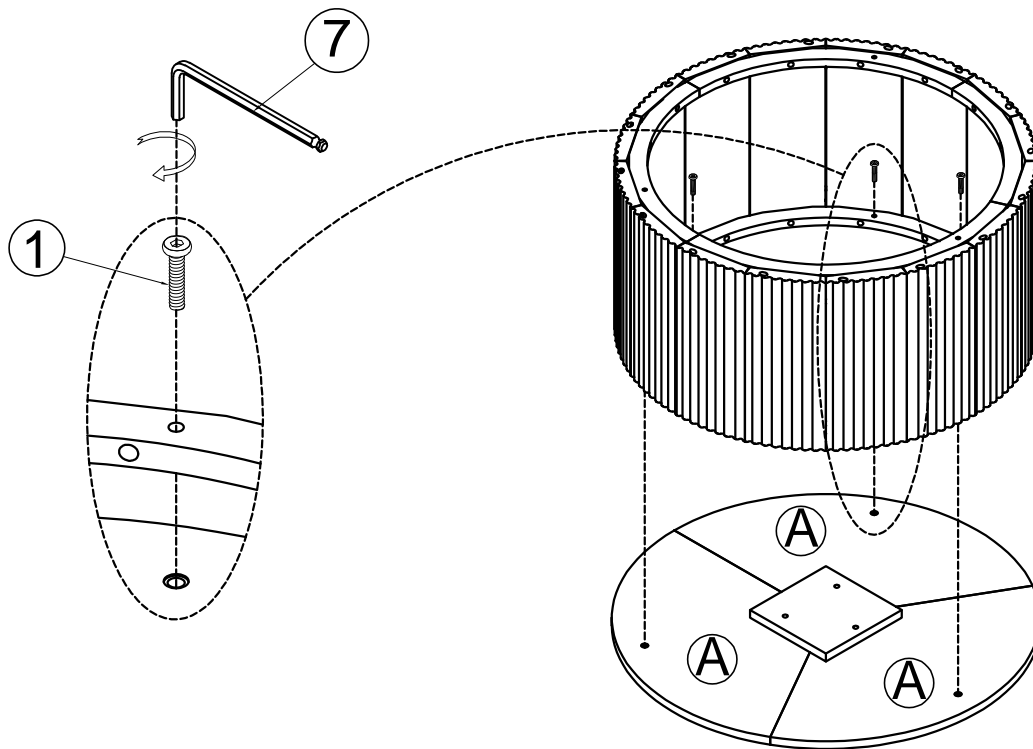
④  32  
Ø4x30mm



# STEP 8

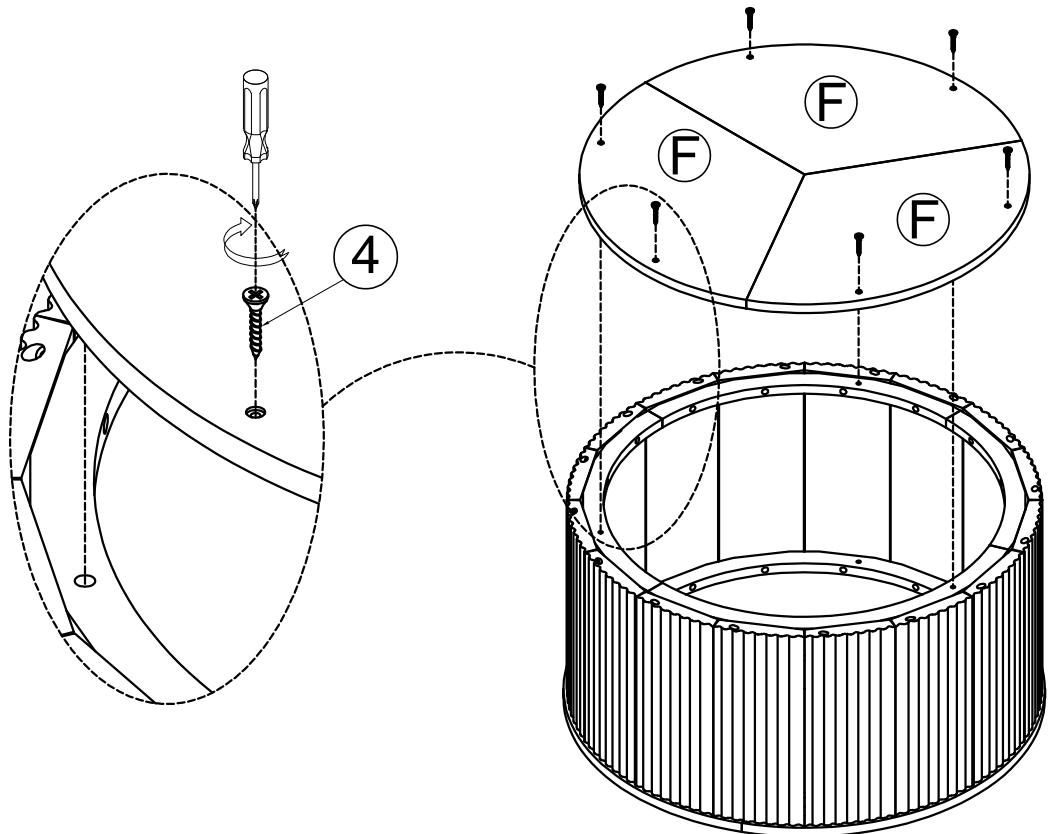
①  03  
M6 x 30mm

⑦  01  
M4




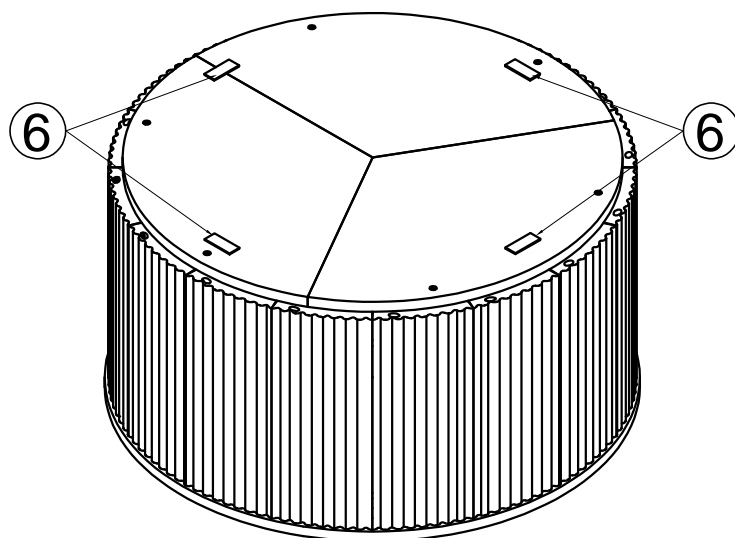
STEP 9

④  06  
Ø4x30mm



STEP 10

⑥  04  
50x20x2mm



Complete

