



Camerton™

25" wall-mount blow-out service sink
K-12867

Features

- Deep squared basin
- 21-1/2" x 25" (546 - 635 mm)
- Blow-out action flushing rim
- 1-1/2" (38 mm) top spud
- Sink requires 5 - 7 gpf (19 - 27 lpf) valve, and minimum running pressure of 25 psi (172 kPa)
- No faucet holes; requires wall-mount faucet
- Sink drain with strainer sold separately

Material

- Vitreous china

Installation

- Wall-mount

Recommended Products/Accessories

- K-8935 Stainless Steel Rim Guard
- K-13864 Sink Strainer
- K-23726 Drain treatment
- K-23725 Cast iron cleaner

Optional Products/Accessories

- K-11352 Disposal Flange with Stopper



Codes/Standards

ASME A112.19.2/CSA B45.1
IAPMO Certification


KOHLER® One-Year Limited Warranty

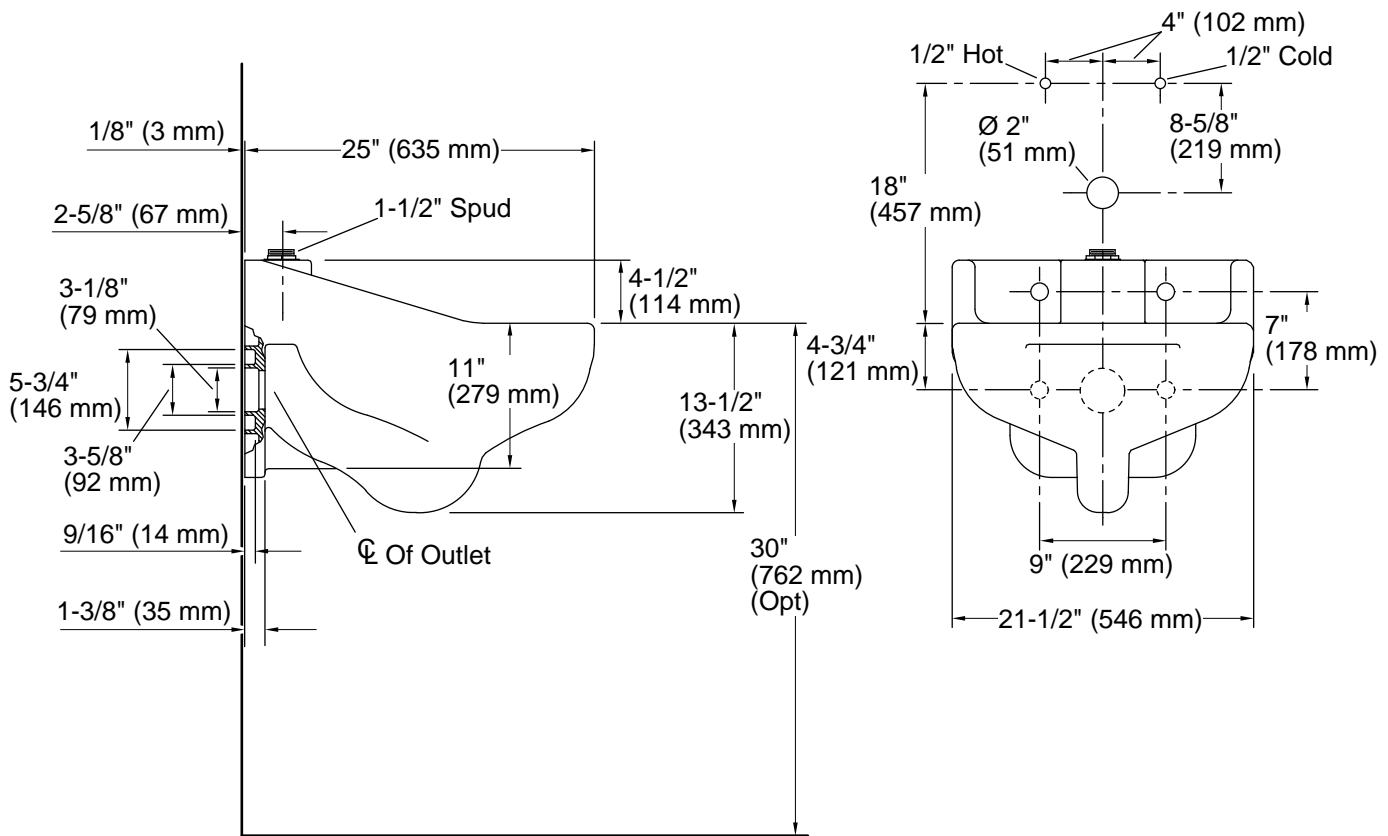
See website for detailed warranty information.

Available Colors/Finishes

Color tiles intended for reference only.

Color	Code	Description
-------	------	-------------

	0	White
---	---	-------



Technical Information

All product dimensions are nominal.

Basin configuration: Single Bowl
 Bowl area (Only): Length: 18" (457 mm)
 Width: 18" (457 mm)
 Water depth: 6-1/4" (159 mm)

Notes

Install this product according to the installation instructions.
 Minimum flowing pressure required: 25 psi (172.4 kPa)
 Minimum flow rate required: 25 gpm (94.6 lpm)