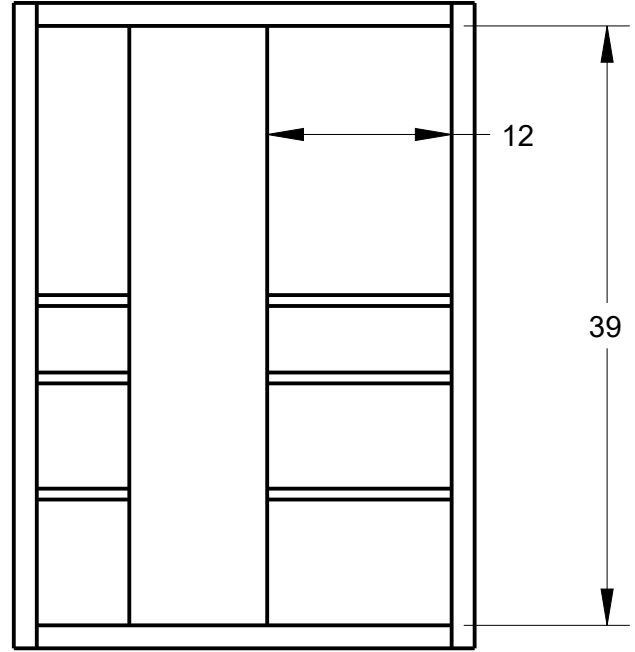
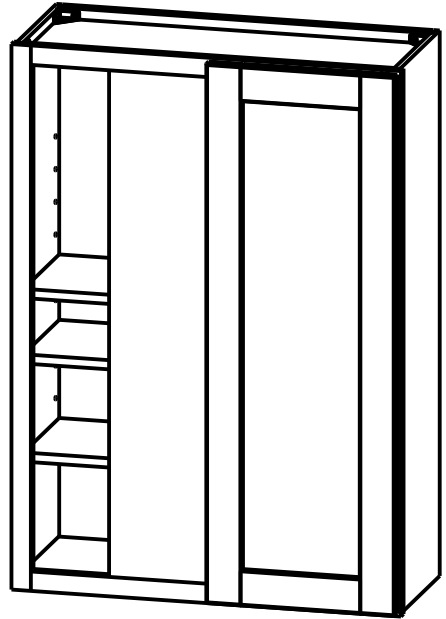
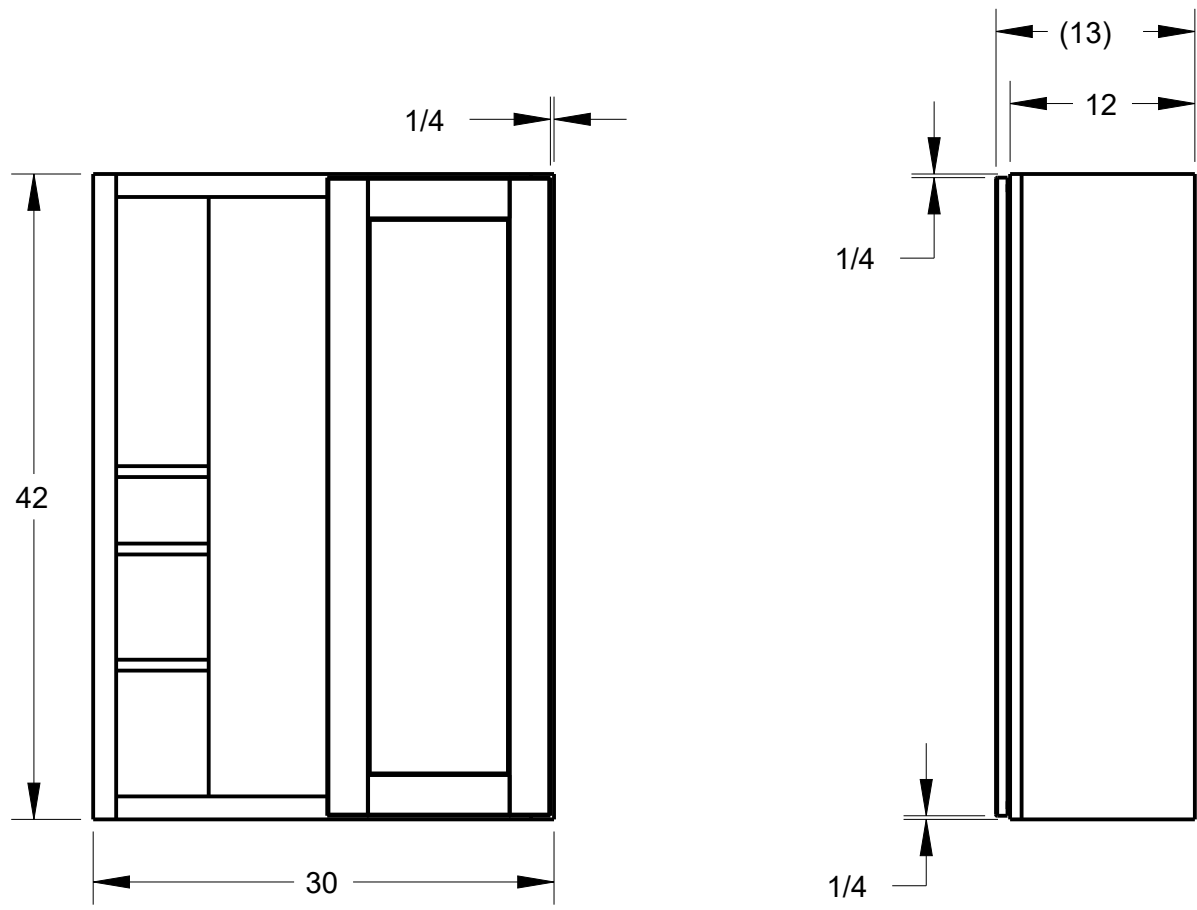


NOTE:

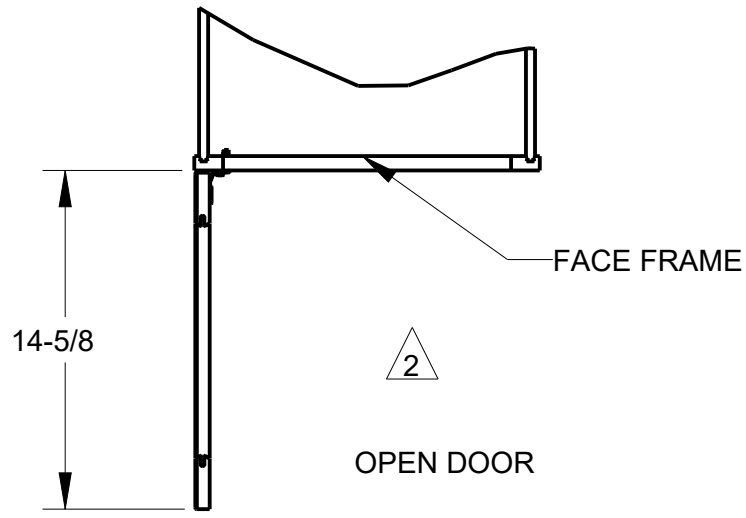
1 3" FILLER SOLD SEPERATELY.

2 OPEN DOOR VIEW INCLUDES HINGE SPACE OFFSET.

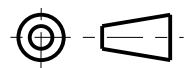
DOOR SIZE	
ROUNDED TO THE NEAREST 1/32	
14 17/32" X 41 17/32"	



CABINET DOOR OPENING



THIRD ANGLE PROJECTION



MATERIAL	FINISH
N/A	N/A

DRAWN BY	DATE
E.GOLESTANYAN	23MAR2020

DESIGNED BY	DATE
NORTHPOINT	

APPROVED BY	DATE
GREG DAVIS	30MAR2020

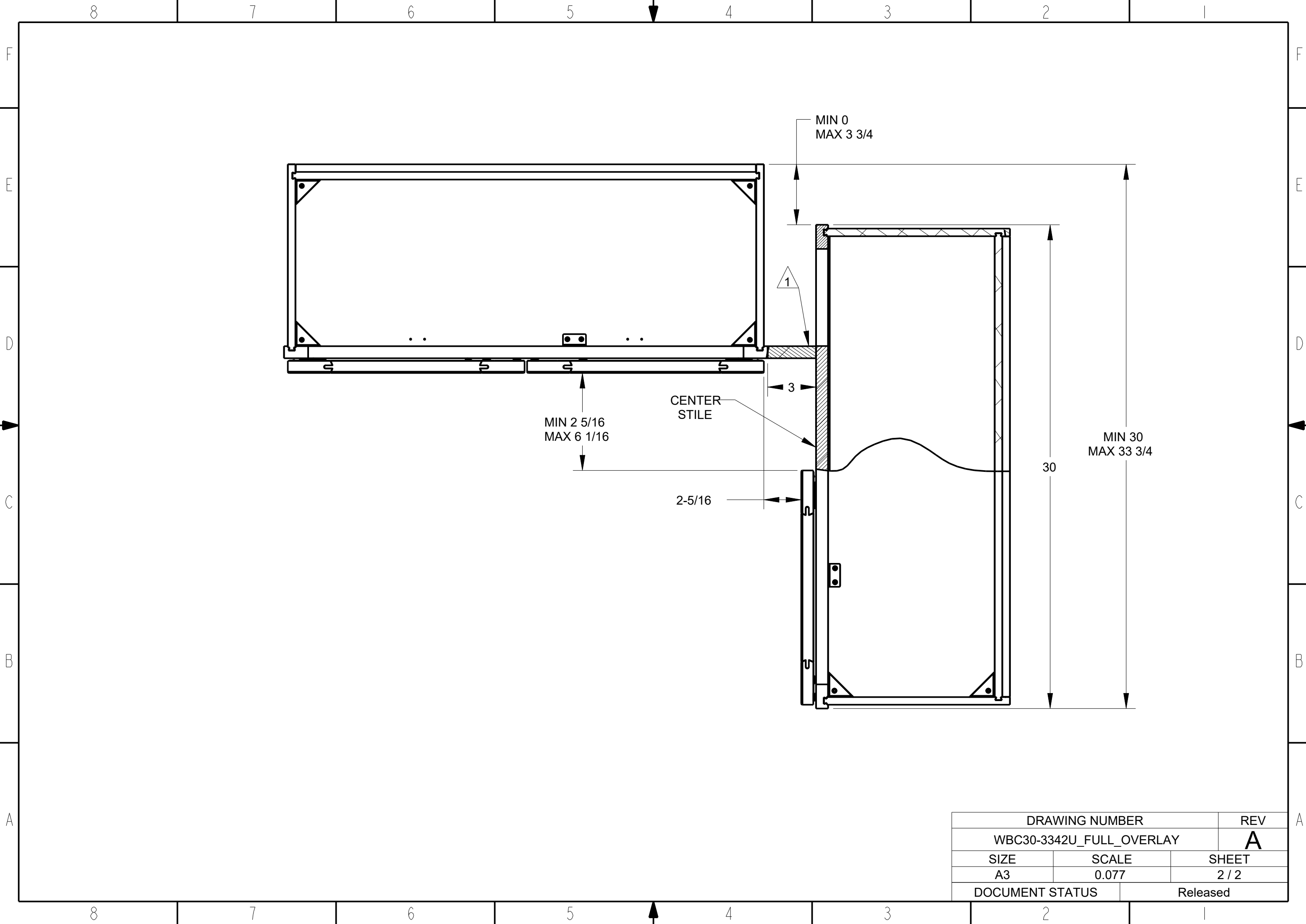


DESCRIPTION		
WBC30-3342U FULL OVERLAY		
DRAWING NUMBER		REV
WBC30-3342U_FULL_OVERLAY		A
SIZE	SCALE	SHEET
A3	0.080	1 / 2

DOCUMENT STATUS	Released
-----------------	----------

HARDWARE RESOURCES RESERVES THE RIGHT TO CHANGE SPECIFICATIONS WITHOUT NOTICE. IN CASE OF A DISCREPANCY, ACTUAL PART GEOMETRY SUPERSEDES THIS DOCUMENT.

THE INFORMATION CONTAINED WITHIN THIS DRAWING IS THE SOLE PROPERTY OF HARDWARE RESOURCES INC. ANY REPRODUCTION IN PART OR WHOLE WITHOUT WRITTEN PERMISSION OF HARDWARE RESOURCES INC. IS PROHIBITED.



DRAWING NUMBER		REV
WBC30-3342U_FULL_OVERLAY		A
SIZE	SCALE	SHEET
A3	0.077	2 / 2
DOCUMENT STATUS		Released