

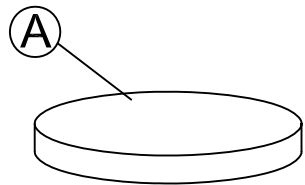
LYON END TABLE

ASSEMBLY INSTRUCTIONS

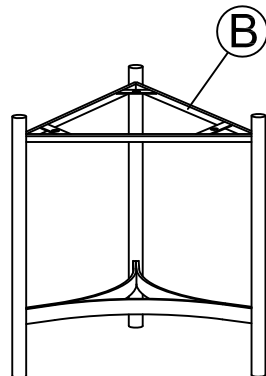


PARTS AND FITTING PACKAGING DETAIL

BOX #1
A. TABLE TOP 1 PC



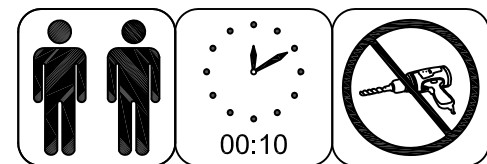
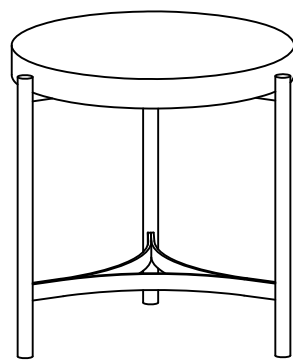
BOX #2
B. TABLE BASE 1PC



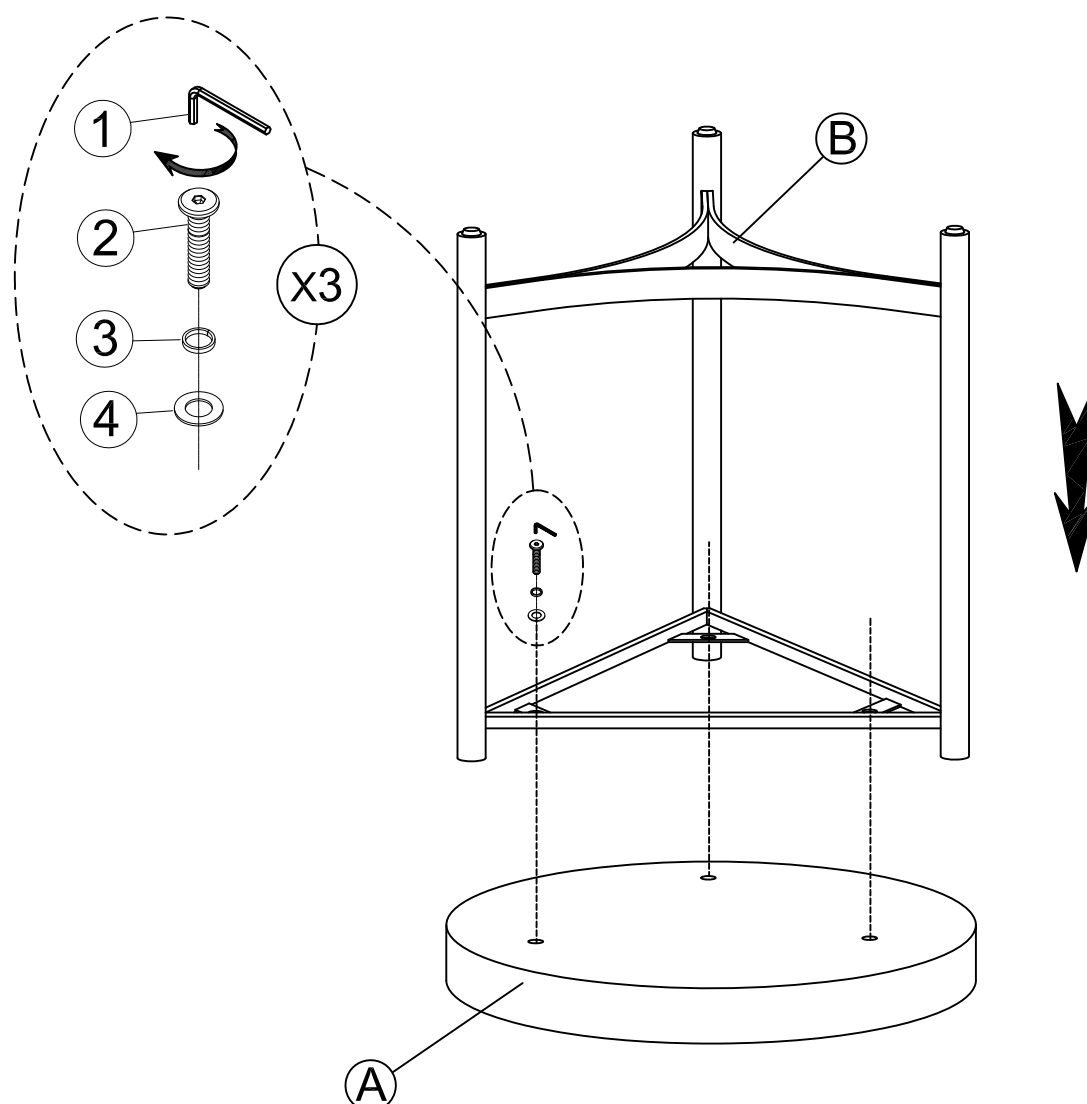
HARDWARE KIT PACKED IN BOX #2

NO.	DESCRIPTION	IMAGE	QUANTITY
1	ALLEN KEY (4mm)		1 PC
2	ALLEN BOLT (8x30mm)		3 PCS
3	LOCK WASHER (M8)		3 PCS
4	FLAT WASHER (M8)		3 PCS

FULLY ASSEMBLED



STEP #1:

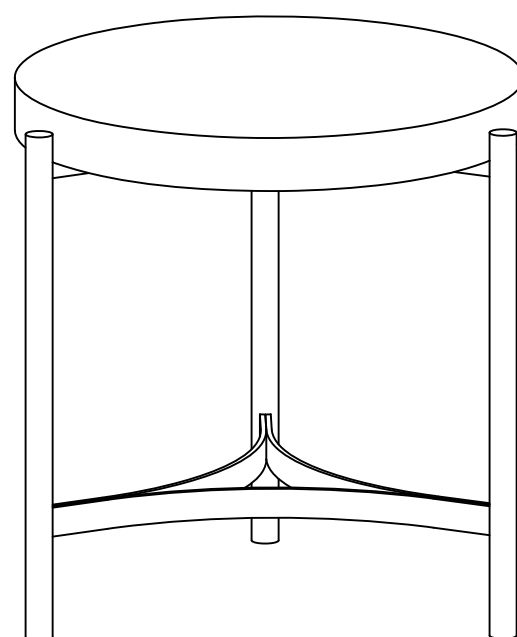
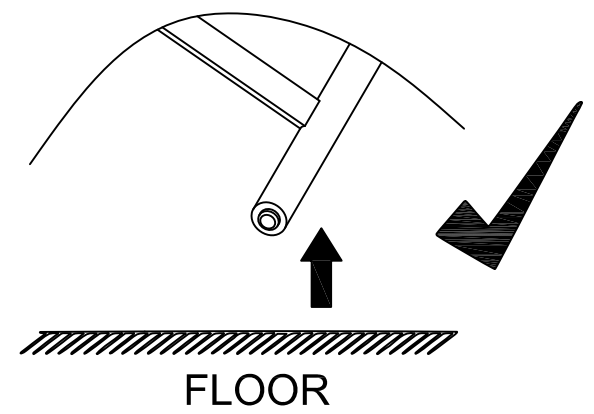
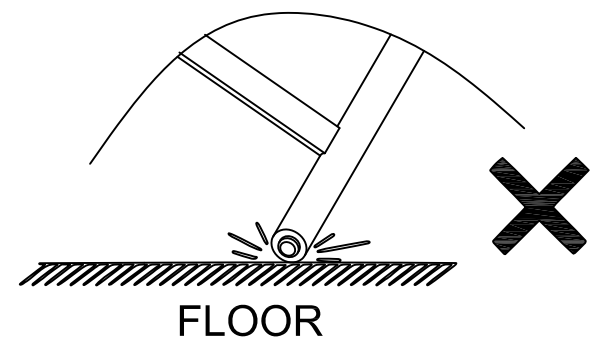
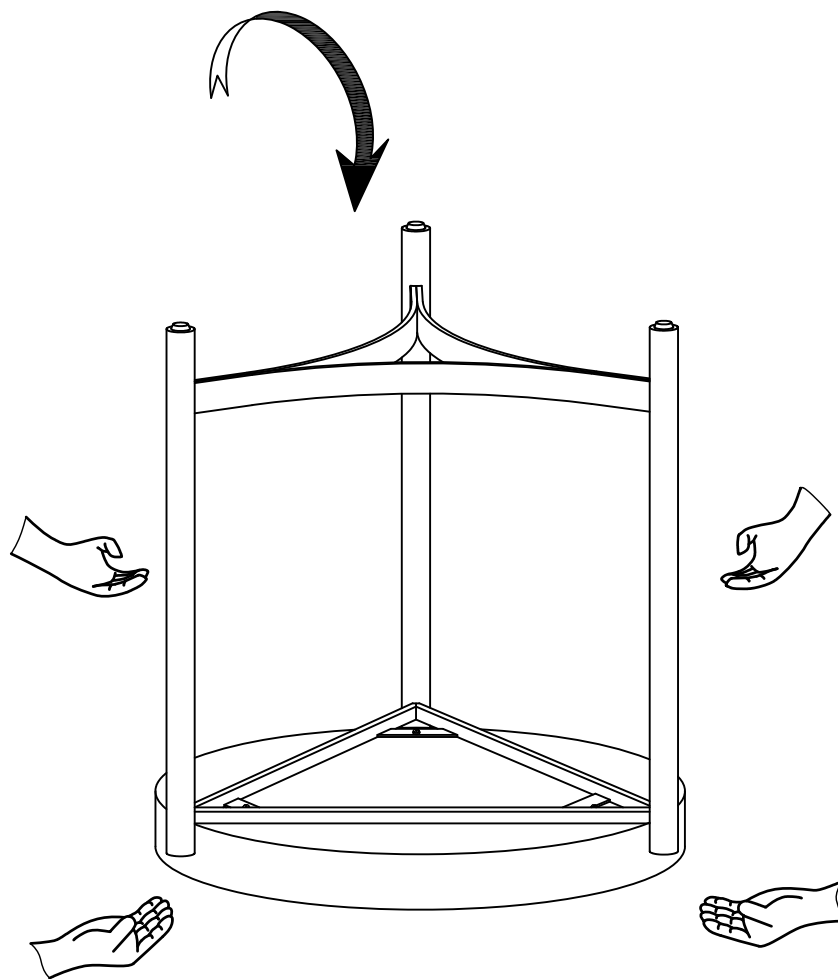


LYON END TABLE

ASSEMBLY INSTRUCTIONS



STEP #2:



ASSEMBLY COMPLETE

PAGE 2 OF 2