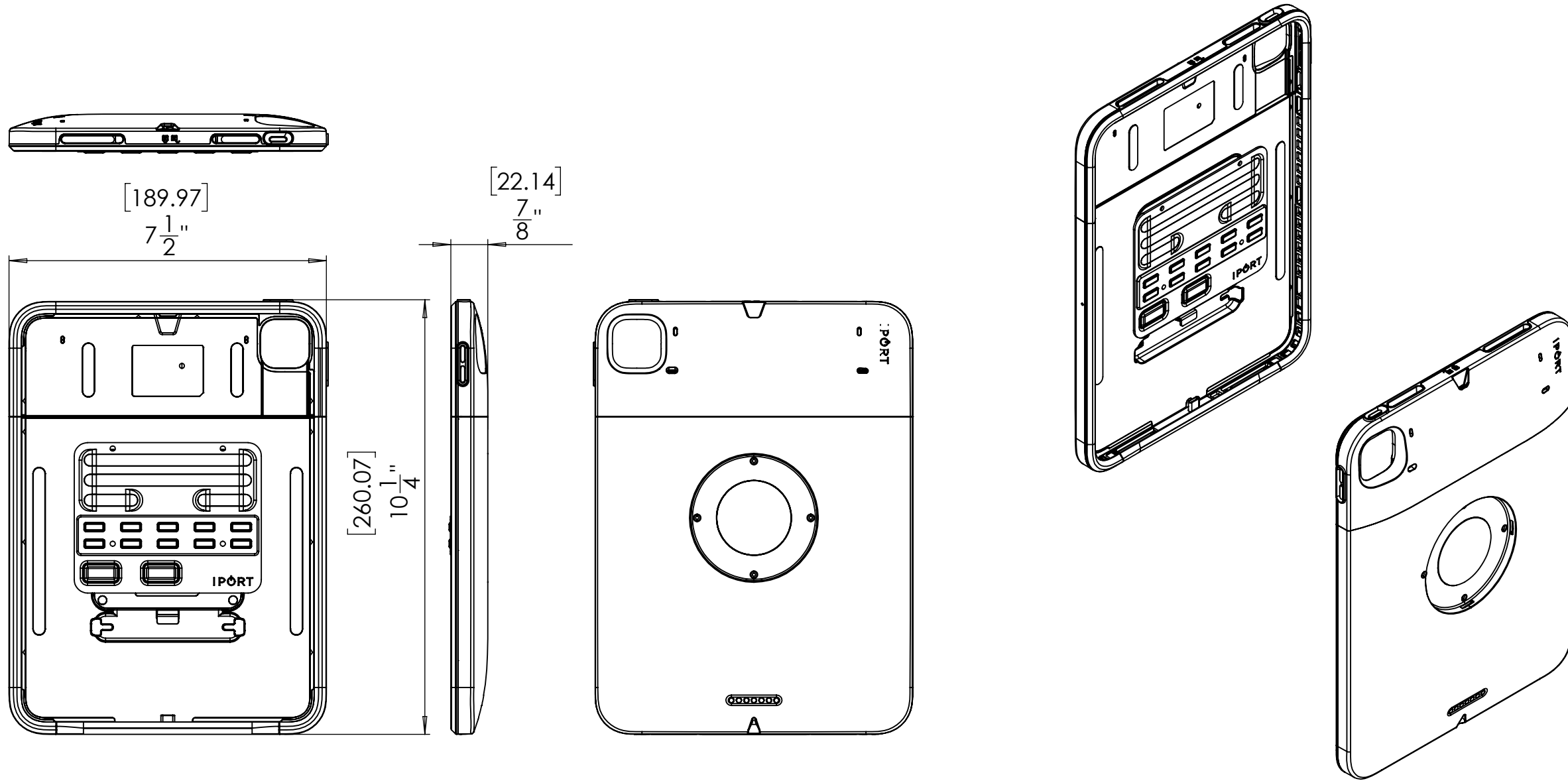


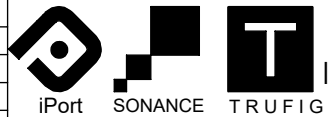
8 7 6 5 4 3 2 1

D
C
B
A

D
C
B
A



UNLESS OTHERWISE SPECIFIED:		NAME	DATE
DIMENSIONS ARE IN INCHES [MM]			
TOLERANCES:			
FRACTIONAL ±			
ANGULAR ±			
TWO PLACE DECIMAL ±			
THREE PLACE DECIMAL ±			
INTERPRET GEOMETRIC TOLERANCING PER:		COMMENTS:	
MATERIAL:			
FINISH:			
DO NOT SCALE DRAWING		RELEASED ON:	

		DANA INNOVATIONS	
TITLE: 72396 CONNECT CASE 10.9 BLK			
SIZE	DWG. NO.	REV	
B		A	
SCALE: 1:3	WT:	SHEET 1 OF 1	

PROPRIETARY AND CONFIDENTIAL
 THE INFORMATION CONTAINED IN THIS DRAWING IS THE SOLE PROPERTY OF DANA INNOVATIONS. ANY REPRODUCTION IN PART OR AS A WHOLE WITHOUT THE WRITTEN PERMISSION OF DANA INNOVATIONS IS PROHIBITED.

8 7 6 5 4 3 2 1