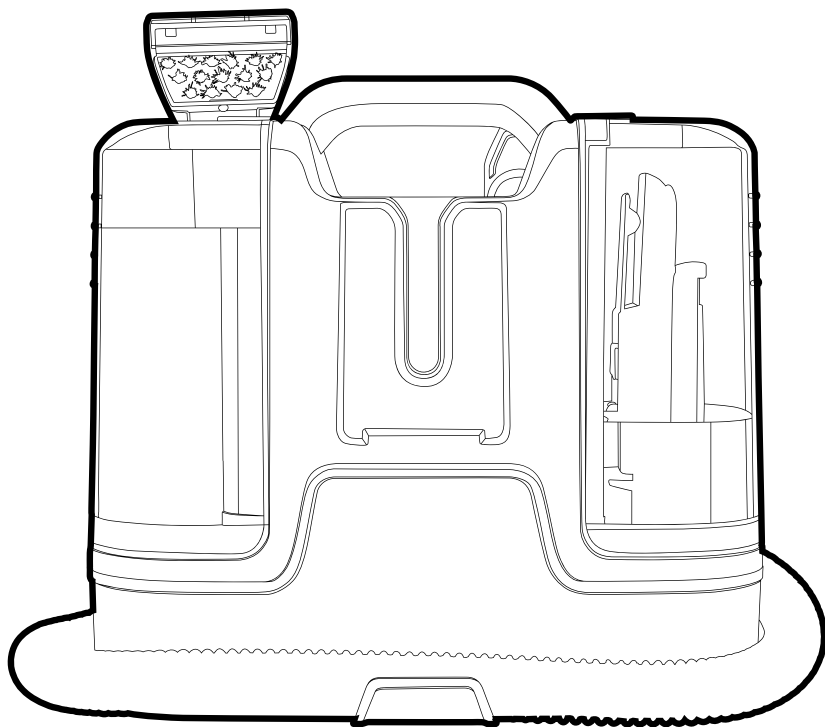


User manual

Spot cleaner



Important safety

Please read carefully

Please retain instructions for future reference.

SAFETY INSTRUCTIONS

- When using electrical appliances, basic safety precautions should always be followed.
- This appliance can be used by children aged from 8 years and above and persons with reduced physical, sensory or mental capabilities and knowledge, if they have been supervised/instructed and understand the hazards involved.
- Children shall not play with the appliance.
- Children should not perform cleaning or user maintenance, unless they are older than 8 and supervised.
- This appliance is not a toy.
- If the power supply cord, plug or any part of the appliance is malfunctioning or if it has been dropped or damaged, cease using the product immediately to avoid potential injury.
- This appliance contains no user serviceable parts, only a qualified electrician should carry out repairs. Improper repairs may place the user at risk of harm.
- Keep the appliance and its power supply cord out of the reach of children.
- Keep the appliance out of the reach of children when it is switched on or cooling down.
- Keep the appliance and its power supply cord away from heat or sharp edges that could cause damage.
- Keep the appliance away from other heat emitting appliances.
- Keep the appliance free from dust, lint, hair or anything that may reduce the airflow of the appliance.
- Do not immerse the electrical components of the appliance in water or any other liquid.
- Do not operate the appliance with wet hands or if any connections are wet.
- Do not expose the appliance to rain.
- Do not leave the appliance unattended whilst connected to the mains power supply.
- Do not remove from the mains power supply by pulling the cord; switch off and remove the plug by hand.
- Do not pull or carry the appliance by its power supply cord.
- Do not use the appliance if it has been dropped or if there are visible signs of damage.
- Do not use the appliance for anything other than its intended use.
- Do not use any parts/accessories other than the parts supplied with this appliance, as this may cause damage.
- Do not use this appliance outdoors.
- Do not store the appliance in direct sunlight or in high humidity conditions.
- Do not use this appliance if any of the openings are blocked.
- Do not use the appliance to pick up flammable liquid, matches, cigarette ends, hot ashes or any hot, burning or smoking objects.
- Do not use this appliance to pick up hard, sharp objects, such as glass or nails etc.
- Do not use the appliance to pick up water or any other liquid, as this poses risk of an electric shock.
- Take care when equipping accessories with rotating parts, as this could cause entrapment.
- Use of an extension cord with the appliance is not recommended.
- This appliance should not be operated by means of an external timer or separate remote control system.
- This appliance is intended for domestic use only. It should not be used for commercial purposes.

UK CE

EN | Disposal of Waste Batteries and Electrical and Electronic Equipment

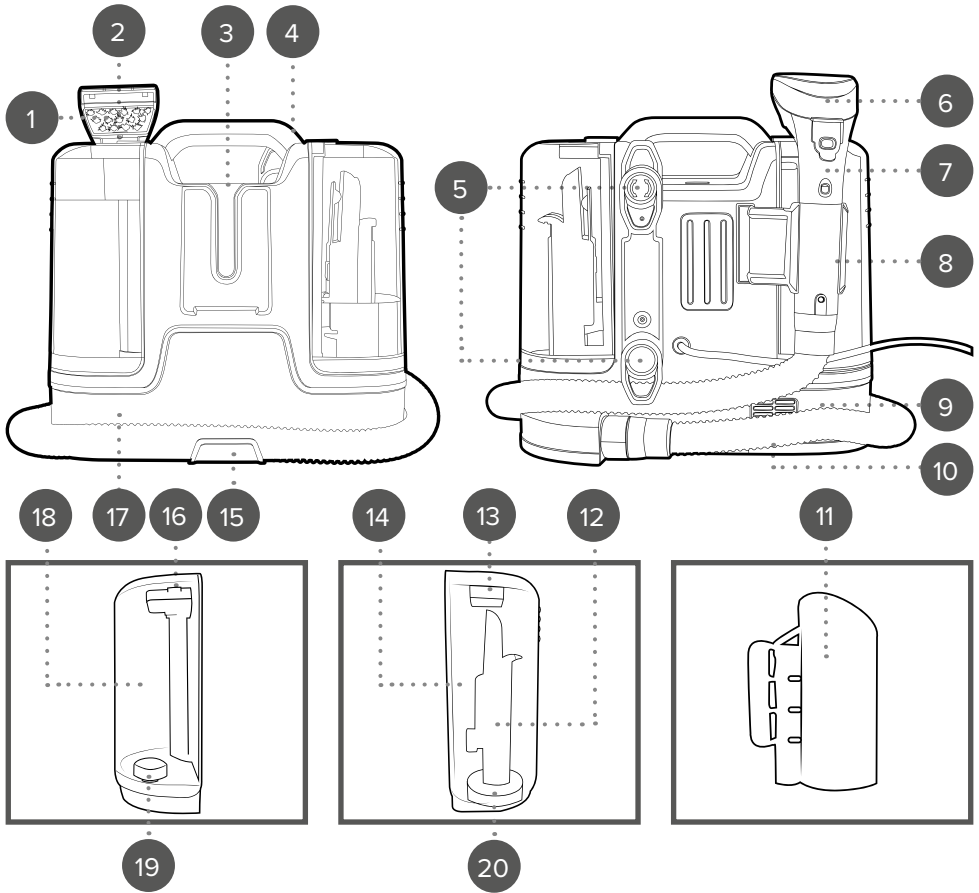


This product is labelled with this crossed out wheel bin symbol in accordance with European Directive 2012/19/EC to indicate that it must not be disposed of with your other household waste. Due to the presence of hazardous substances, mixtures or components, electrical and electronic devices that are not subject to selective sorting are potentially dangerous to the environment and human health. Please check your local city office or waste disposal service for the return and recycling of this product.

Manufactured by:
Ultimate Products UK Ltd.,
Victoria Street, Manchester OL9 0DD. **UK.**
Ultimate Products Europe Ltd.,
19 Baggot Street Lower, Dublin D02 X658. **ROI.**
MADE IN CHINA.

CD151124/MD000000/V1

Description of parts



1. Brush attachment

2. Spray nozzle

3. Power button

4. Handle

5. Cord storage hooks

6. Brush cover

7. Spray trigger

8. Brush holder

9. Exhaust outlet

10. Spray hose

11. Self-clean attachment

12. Max. fill float

13. Dirty water tank

release button

14. Dirty water tank

15. Extension hose holder

16. Clean water tank

release button

17. Spot cleaner

main unit

18. Clean water tank

19. Clean water tank cap

20. Dirty water tank cap

Please retain instructions future reference.

Dos and don'ts

DO:

Always consult the furniture or carpet manufacturer prior to using this appliance to clean surfaces. Empty the dirty water tank after each use to maintain optimum performance of the spot cleaner. Fill the clean water tank following the guidelines of the chosen detergent manufacturer. Ensure the removable brush cover is fixed into place securely, prior to turning on the spot cleaner. Fill the clean water tank with detergent solution following the manufacturer's guidelines.

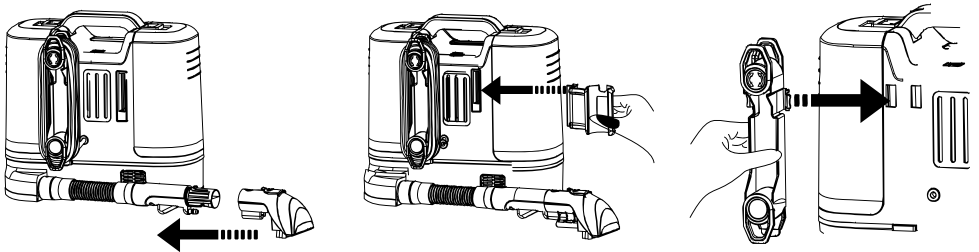
DON'T:

Use the product to vacuum oil, smoke or steam.
Cover or block the exhaust vents.
Allow the dirty water tank to exceed the maximum line.
Invert or tilt the spot cleaner main unit past a 45° angle during use.

Care and maintenance

Before attempting any cleaning or maintenance, always switch off and unplug the spot cleaner from the mains power supply.
Drain any remaining water from the clean and dirty water tanks.
Wipe the spot cleaner with a soft, damp cloth and dry thoroughly.
Do not use harsh or abrasive cleaning detergents or scourers.

Instructions for use



Assembling the spot cleaner

STEP 1: Switch off and unplug the spot cleaner from the mains power supply before fitting any parts onto the main unit.

STEP 2: Fit the brush attachment by aligning the pin on the extension hose with the pin on the brush attachment and push into place until it clicks.

STEP 3: Align the flat edge of the brush holder with the brush holder opening on the rear right-hand side of the main unit and push the holder into the main unit until it clicks into place.

STEP 4: Slide the cord storage hooks into the into the loop on the rear of the main unit, before pressing the clips on the side of the storage hooks and pushing them into place.



NOTE: The top cord storage hook can be twisted to suit user preference.

Solution guidelines

Mixing a solution

Always consult the carpet/upholstery manufacturer prior to using the spot cleaner on surfaces. It is recommended to use a low-foaming cleaning solution recommended for spot cleaners with this product.

Pre-dilute the solution following the composition guidelines on the detergent bottle.

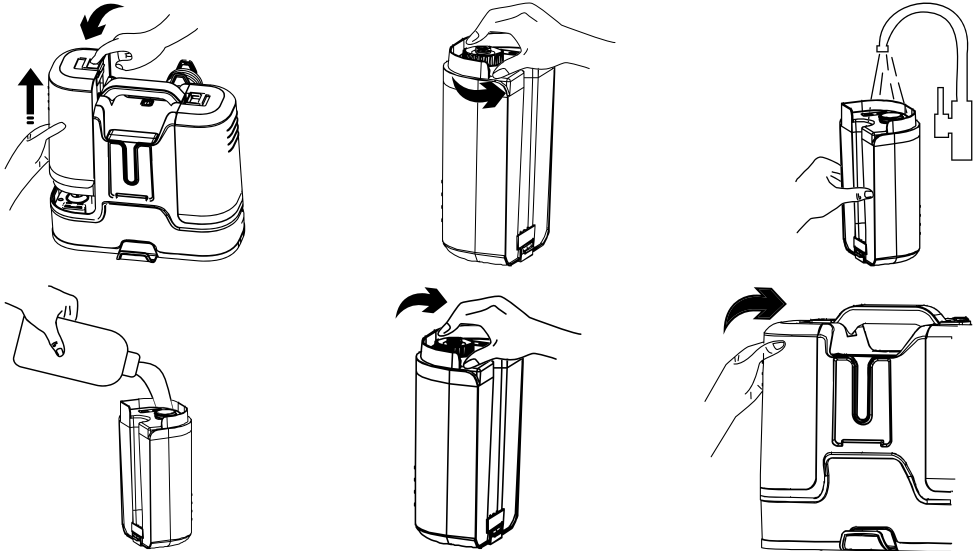
Test the solution on a discrete area of carpet/surface for colourfastness prior to filling the water tank. To do this, dampen a white cloth with the cleaning solution and warm water. In a small hidden area of the carpet, gently rub the surface of the carpet.

Wait for 10 minutes then check for colour bleeding. If the cloth remains clean, the cleaning solution can be used on the tested surface.



CAUTION: The use of cleaning formulas which contain lemon, pine oil, vinegar or bleach may damage the spot cleaner and void the warranty. Chemical spot cleaners or solvent-based soil removers should also not be used.

Filling the clean water tank



STEP 1: Remove the water tank by sliding the water tank release button and lifting the tank away from the main unit.

STEP 2: Open the clean water tank by unscrewing the clean water tank cap. Fill the tank with warm water (max. 40 °C) or dilute detergent (following the manufacturer's guidelines), checking that the max. fill of the tank is not exceeded.

STEP 3: Screw the water tank cap back into place until secure, then replace the water tank into the main unit until it clicks. The flat edge on the water tank should align with the flat edge of the main unit.

STEP 4: Ensure the spray nozzle cover is firmly attached to the spot cleaner brush attachment. Failure to do so will result in a reduction in suction on the spot cleaner.



NOTE: Do not use the spot cleaner without the water tank in position.



CAUTION: Do not attempt to remove/replace the water tank whilst the spot cleaner is turned on. Do not press the spray trigger if the clean water tank is empty.



WARNING: Do not use any foaming or disinfectant solution with the spot cleaner, as this could cause damage.

Using the spot cleaner

STEP 1: Vacuum or sweep the area to be cleaned. The spot cleaner is not designed to pick up debris.

STEP 2: Fill the clean water tank following the instructions in the section entitled '**Filling the clean water tank**'.

STEP 3: Place the spot cleaner on a flat, stable surface close to the affected area before plugging in and switching on the spot cleaner at the mains power supply.

STEP 4: Turn on the spot cleaner by pressing the power button.

STEP 5: Slide the brush attachment onto the spray hose and secure it by pushing it until it clicks into place.

STEP 6: Point the spray nozzle at the region of the carpet that is to be cleaned and press the spray trigger to pre-treat the carpet. It is recommended to allow the detergent solution to lay on the surface for five minutes prior to cleaning commencing.

STEP 7: Move the brush attachment backwards and forwards over the affected area to work the cleaning solution into the surface.

STEP 8: Pull the brush backwards over the area to remove the dirty solution from the carpet. Repeat this process as many times as necessary.

STEP 9: Once finished, press the power button to turn off the spot cleaner.



NOTE: For best cleaning results, use the spot cleaner immediately after the surface has been stained or a spill has occurred.

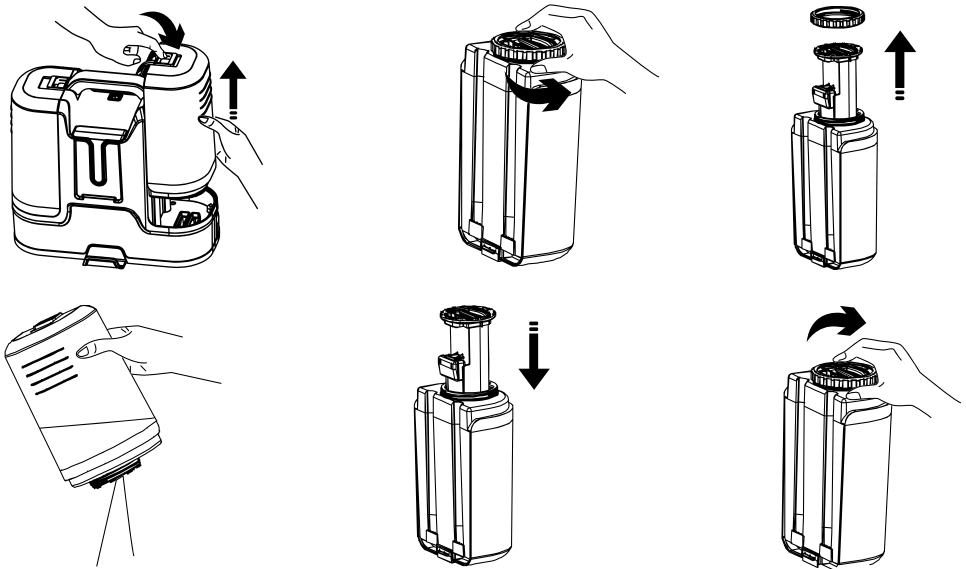


CAUTION: The surface may be damp after the spot cleaner has been used. Allow to dry completely before walking on the surface. The surface to be cleaned can be pre-treated with detergent multiple times if necessary.



WARNING: Never allow the dirty water tank to exceed the max. fill mark; this will cause the max. fill float to activate and the unit suction to cut off. Keep spray from this appliance away from face and eyes. Failure to do so may cause injury.

Emptying the dirty water tank



STEP 1: Ensure the spot cleaner is switched off and removed from the mains power supply.

STEP 2: Slide the dirty water tank release latch and lift the dirty water tank away from the main unit.

STEP 3: Unscrew the dirty water tank cap and lift out the max. fill float.

STEP 4: Empty the dirty water down the drain and rinse the dirty water tank and the max. fill float under clean running water.

STEP 5: Allow to dry thoroughly before replacing the max. fill float and screwing on the dirty water tank cap.

STEP 6: Refit the dirty water tank back into spot cleaner main unit. The flat edge on the water tank should align with the flat edge of the main unit. Push the tank until it clicks into place.



NOTE: It is recommended to empty the dirty water tank after every use to maintain optimum performance and to prevent the build-up of undesirable odours.

Max. fill safety float

If the liquid in the dirty water tank exceeds the max. fill mark, the max. fill float in the dirty water tank will stop the suction of the product. This will cause the motor to work at a higher speed which will be audibly different to regular use, and this can cause the unit to stop suctioning. At this point, the unit should be switched off and the dirty water tank emptied following the instructions in the section entitled '**Emptying the dirty water tank**'. After this, it is safe to resume.

Cleaning the spot cleaner

The brush cover on the spot cleaner can be removed for easy cleaning of any dirt or debris.

STEP 1: Remove the brush from the extension hose. Lift the clip at the base of the brush cover and lift it away from the main unit.

STEP 2: Wash the brush cover in warm, soapy water and allow to dry thoroughly.

STEP 3: Replace the brush cover by aligning the loops on the cover with the indents of the brush attachment and pushing the cover into place.

Self-clean function

The self-clean function removes dirt and impurities from within the extension hose of the spot cleaner during use.

It is recommended to use this function on a fortnightly basis or more often if the spot cleaner is used on dirtier surfaces.

STEP 1: Switch off and unplug the spot cleaner from the mains power supply.

STEP 2: Remove the brush attachment from the extension hose

STEP 3: Fit the self-clean nozzle by aligning the pin on the extension hose with the pin on the self-clean nozzle and push into place until it clicks.

STEP 4: Fill the water tank following the instructions in the section entitled '**Filling the clean water tank**'.

STEP 5: Place the spot cleaner on a flat, stable surface close to the affected area, before plugging in and switching on the spot cleaner at the mains power supply.

STEP 6: Pull the spray trigger and allow the spot cleaner to run until the clean water tank is empty.

STEP 7: Once the self-clean process is complete, switch off the spot cleaner and empty the dirty water tank, following the instructions in the section entitled '**Emptying the dirty water tank**'.

Hints and tips

1. When cleaning an area, move the furniture away from the cleaning area. If this is not possible, place aluminium foil under the furniture legs. This will prevent any wood finishes from running and staining the surface.
2. Stain removal varies with the type of stain, the time passed before removal and the carpet type/material. Heavily soiled areas may have to be pre-treated before using the spot cleaner.
3. For best cleaning results, use a slow and steady forwards and backwards motion.
4. For multi-coloured carpets, test every colour for colourfastness.

Troubleshooting

Problem	Possible cause	Solution
The spot cleaner will not suck up water.	The dirty water tank max. fill has been exceeded.	Follow the instructions in the section entitled ' Emptying the dirty water tank '.
Solution is not dispensing from the detergent compartment.	The water tank is not fitted securely.	Follow the instructions in the section entitled ' Filling the clean water tank '.
The carpet is too wet.	Too much detergent has been used on the carpet.	Use less detergent on the carpet area. Run the spot cleaner over the carpet, without pressing the spray button, to vacuum excess water.

Storage

Empty both water tanks before wrapping the power cord around the cord storage hooks. Check that the spot cleaner is clean and dry before storing in a cool, dry place.

Specifications

Product code: BEL01842

Input: 220–240 V ~ 50–60 Hz

Output: 450 W

Clean water tank capacity: 1.8 L

Dirty water tank capacity: 600 ml

Waterproof level: IPX4



Manufactured by:
Ultimate Products UK Ltd.,
Victoria Street, Manchester OL9 0DD. **UK.**
Ultimate Products Europe Ltd.,
19 Baggot Street Lower, Dublin D02 X658. **ROI.**
MADE IN CHINA.

CD131023/MD090425/V3