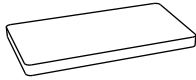











# ASSEMBLY INSTRUCTIONS

## ARDENTOWN SIDE TABLE

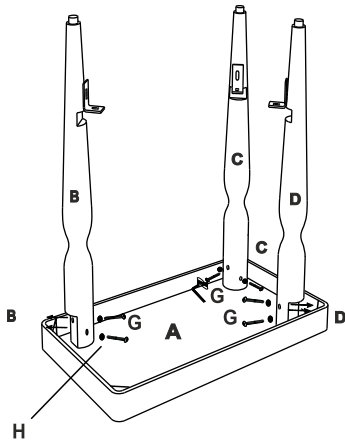
**PART LIST :-**

NO.	DESCRIPTION	IMAGE	QTY
A	TOP		1
B	LEG		1
C	LEG		1
D	LEG		1
E	SHELF		1
F	LEG		1

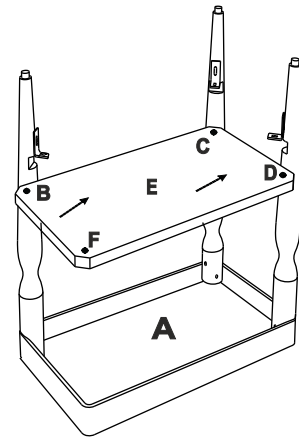
**HARDWARE LIST :-**

NO.	DESCRIPTION	IMAGE	QTY
G	LONG ALLEN SCREWS		8
H	WASHERS		8
I	SMALL ALLEN SCREWS		4
J	ALLEN KEY		1

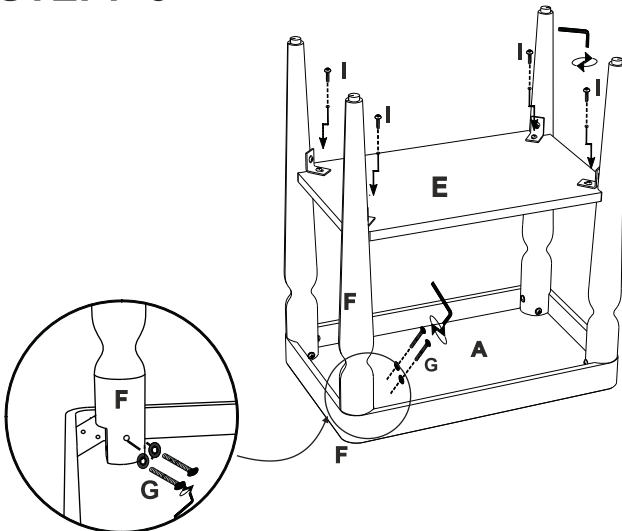
**STEP:- 1**



**STEP:- 2**



**STEP:- 3**



**STEP:- 4 ASSEMBLED**

