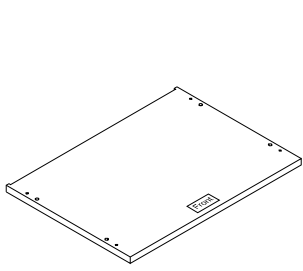
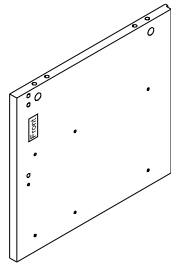


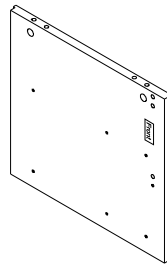
# PARTS LIST



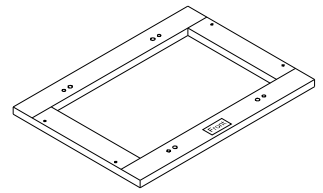
NAME: TOP PANEL  
CODE: 1  
QTY: 1Pc



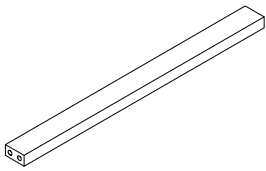
NAME: SIDE PANEL(LEFT)  
CODE: 2  
QTY: 1Pc



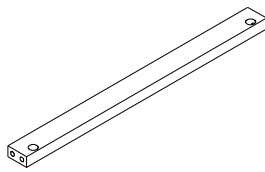
NAME: SIDE PANEL(RIGHT)  
CODE: 3  
QTY: 1Pc



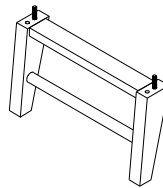
NAME: BOTTOM FRAME  
CODE: 4  
QTY: 1Pc



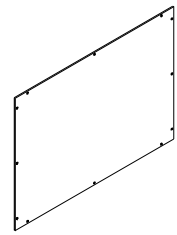
NAME: TOP BAR  
CODE: 5  
QTY: 1Pc



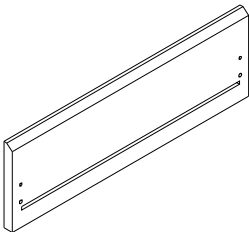
NAME: CENTER BAR  
CODE: 6  
QTY: 1Pc



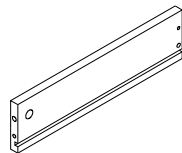
NAME: LEG  
CODE: 7  
QTY: 2Pcs



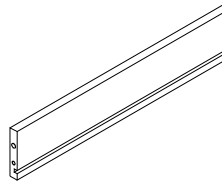
NAME: BACK PLYWOOD  
CODE: 8  
QTY: 1Pc



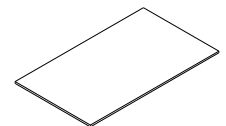
NAME: DRAWER FRONT  
CODE: 101  
QTY: 2Pcs



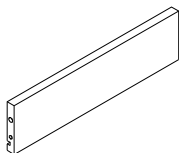
NAME: DRAWER SIDE(LEFT)  
CODE: 102  
QTY: 2Pcs



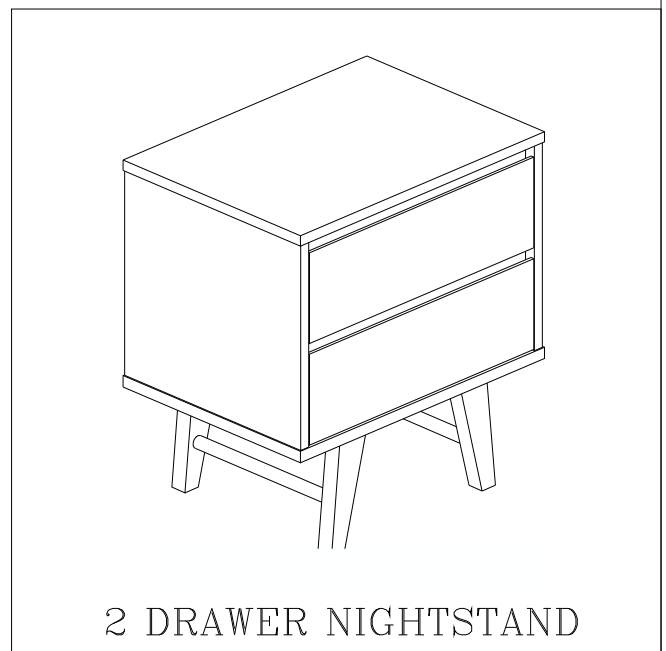
NAME: DRAWER BACK  
CODE: 103  
QTY: 2Pcs



NAME: DRAWER BASE  
CODE: 104  
QTY: 2Pcs



NAME: DRAWER SIDE(RIGHT)  
CODE: 105  
QTY: 2Pcs



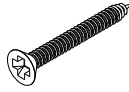
2 DRAWER NIGHTSTAND

-THE UNIT SHOULD BE ASSEMBLED BY 2 OR MORE PEOPLE  
-EXTRA HARDWARE INCLUDED

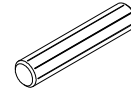
## HARDWARE LIST



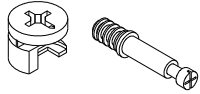
NAME: CHIPBOARD SCREW M3X16mm  
CODE: A  
QTY: 24Pcs



NAME: CHIPBOARD SCREW M4X38mm  
CODE: B  
QTY: 4Pcs



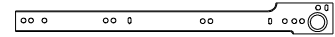
NAME: WOOD DOWEL M8X35mm  
CODE: C  
QTY: 18Pcs



NAME: CAM LOCK & CAM BOLT  
CODE: D  
QTY: 14Sets



NAME: WOOD DOWEL M6X30mm  
CODE: E  
QTY: 8Pcs



NAME: RUNNER 350mm  
CODE: F  
QTY: 2Set



NAME: CAM LOCK COVER  
CODE: G  
QTY: 14Pcs



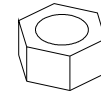
NAME: PANHEAD CHIPBOARD SCREW M4X16mm(BLACK)  
CODE: H  
QTY: 12Pcs



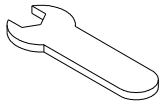
NAME: FLAT WASHER M8  
CODE: I  
QTY: 4Pcs



NAME: SPRING WASHER M8  
CODE: J  
QTY: 4Pcs



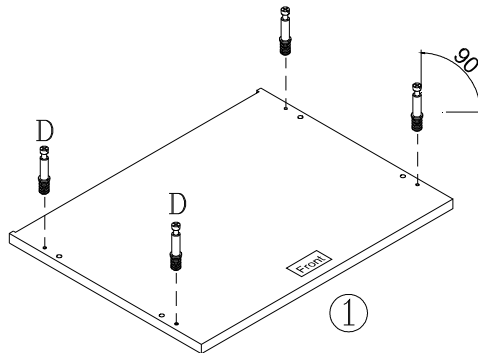
NAME: HEX NUT M8  
CODE: K  
QTY: 4Pcs



NAME: SPANNER  
CODE: L  
QTY: 1Pc

**STEP 1**

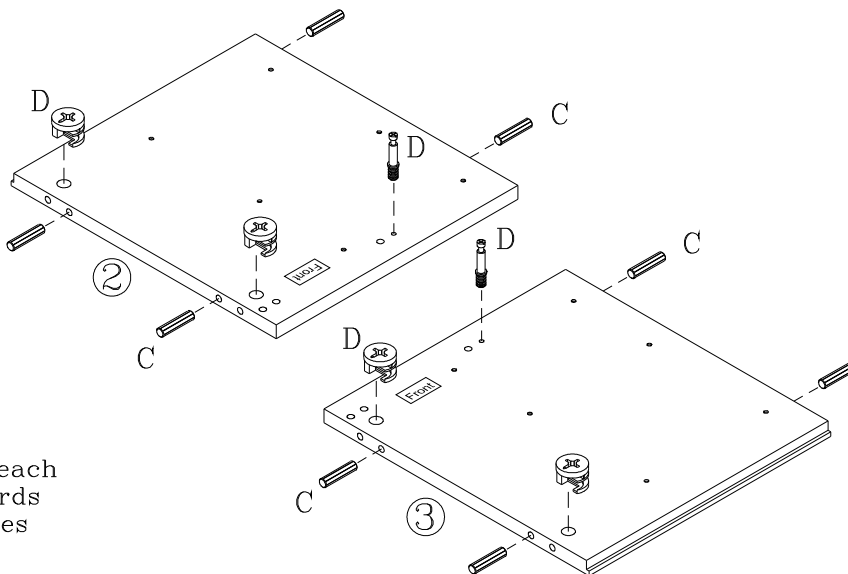
- A) Insert Cam Bolt(D) to Top Panel(1)



**STEP 2**

- A) Insert Wood Dowel(C) to Left&Right Side Panel(2&3)
- B) Attach Cam Lock(D) to Left&Right Side Panel(2&3)
- C) Attach Cam Bolt(D) to Left&Right Side Panel(2&3)

NOTE : Make sure arrows on each Cam Lock points towards nearest edge with holes



**STEP 3**

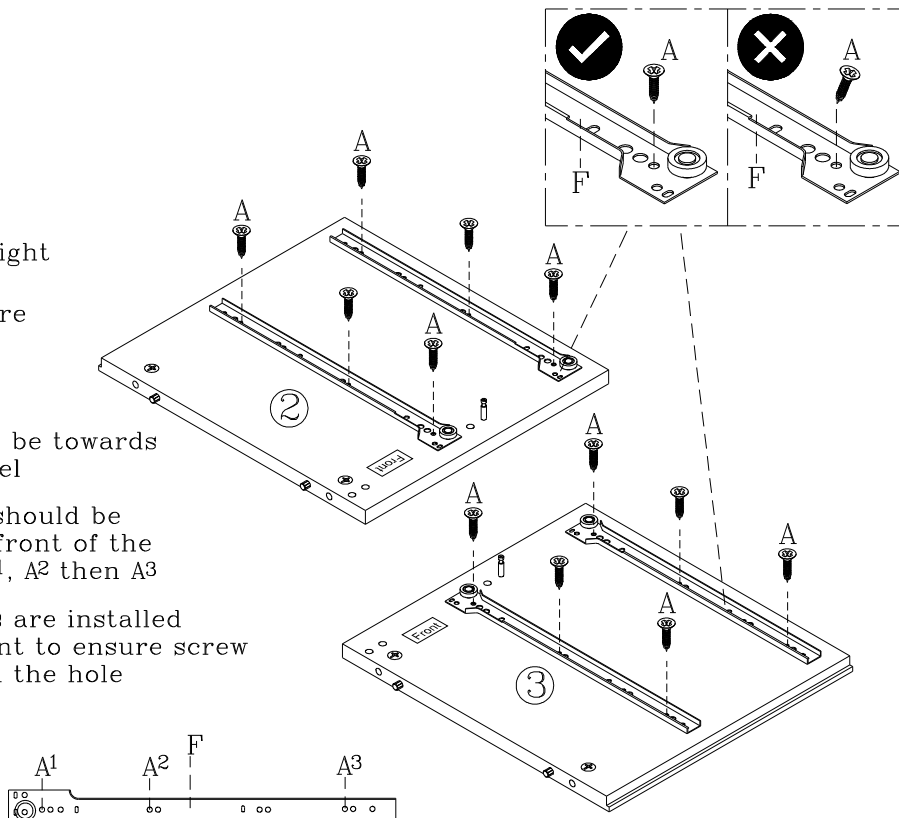
- A) Attach Runner(F) to Left&Right Side Panel(2&3) using Chipboard Screw(A) to secure

NOTE : Do not over tighten the screw

NOTE : Runner roller should be towards the front of the panel

NOTE : Chipboard Screw(A) should be assembled from the front of the runner. Start from A<sup>1</sup>, A<sup>2</sup> then A<sup>3</sup>

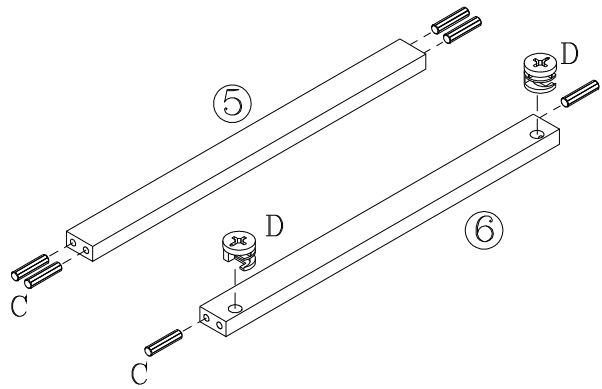
NOTE : Make sure the screws are installed vertically without slant to ensure screw sits properly in the hole



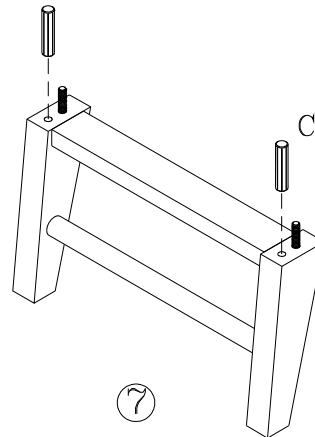
STEP 4

- A) Attach Wood Dowel(C) to Top Bar(5) & Center Bar(6)
- B) Attach Cam Lock(D) to Center Bar(6)

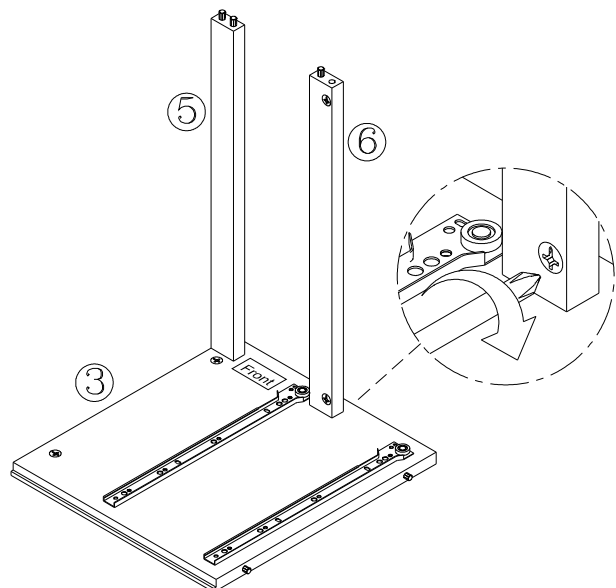
NOTE : Make sure arrows on each Cam Lock points towards nearest edge with holes

STEP 5

- A) Attach Wood Dowel(C) to both Leg(7)

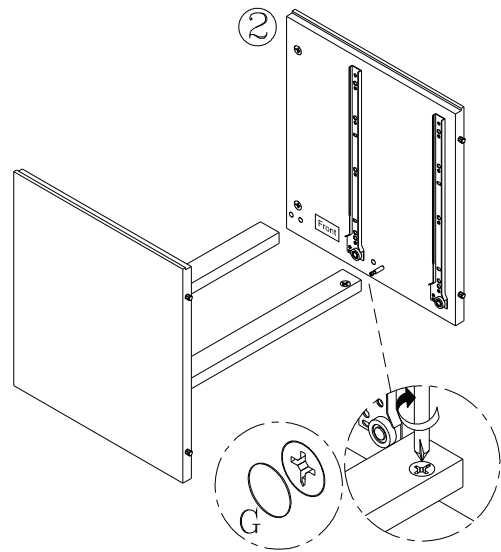
STEP 6

- A) Attach Top Bar(5) & Center Bar(6) to Side Panel Right(3) and secure Center Bar(6) with Cam Lock(D)
- B) Cover Cam Lock with Cam Lock Cover(G)



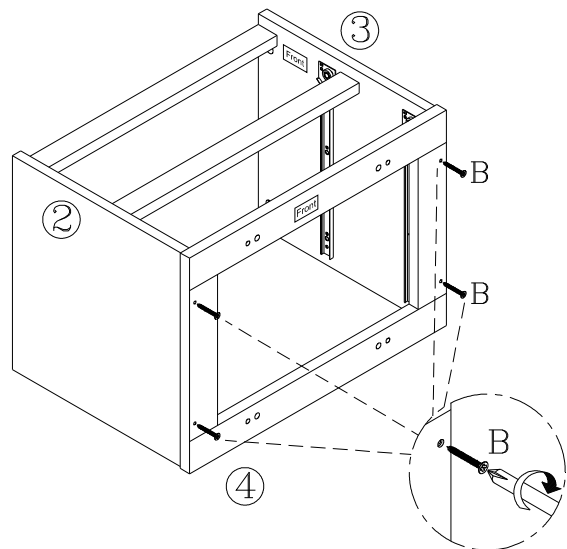
STEP 7

- A) Attach Side Panel Left(2) to bars (5,6) and secure Center Bar(6) with Cam Lock(D)
- B) Cover Cam Lock with Cam Lock Cover(G)

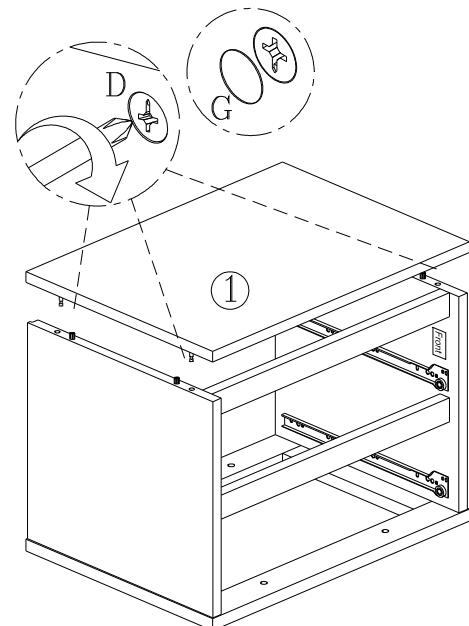
STEP 8

- A) Turn over the semi-assembled unit, attach Bottom Panel(4) to underneath of Side Panel Left&Right(2&3) and secure with Chipboard Screw(B)

NOTE: Do not over tighten the Screw

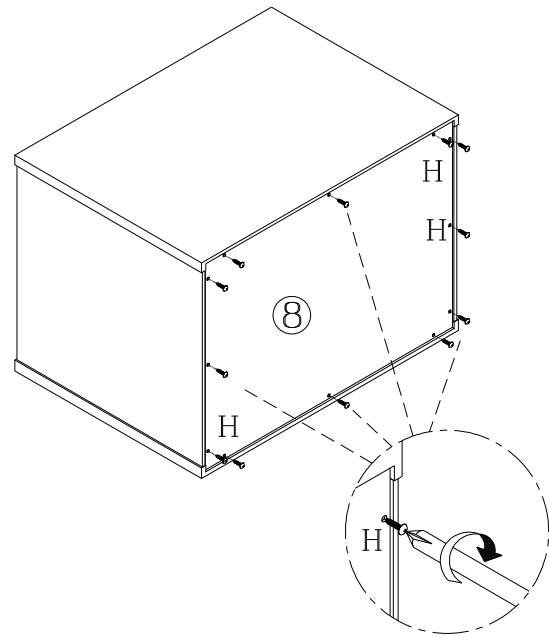
STEP 9

- A) Attach Top Panel(1) to Side Panel Left&Right(2&3) secure with Cam Lock(D).
- B) Cover Cam Lock with Cam Lock Cover(G)



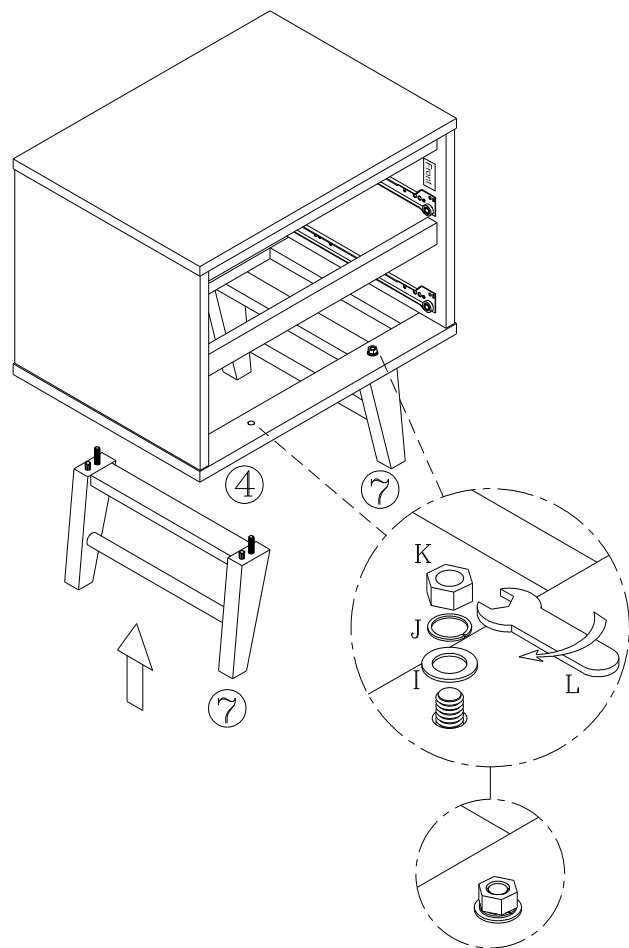
### STEP 10

- A) Attach Back Plywood(8) to assembled unit using Panhead Chipboard Screw(Black)(H) to secure

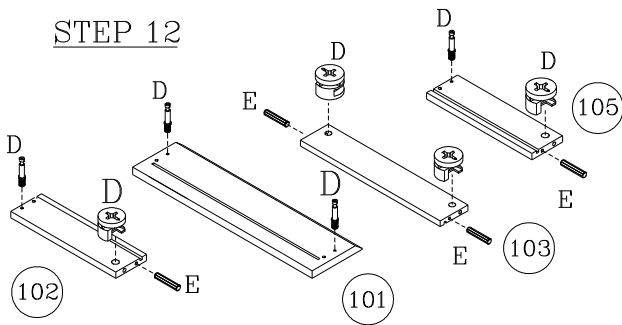


### STEP 11

- A) Attach both Leg(7) to Bottom Frame(4) using Flat Washer(I), Spring Washer(J) & Hex Nut(K) with Spanner(L)

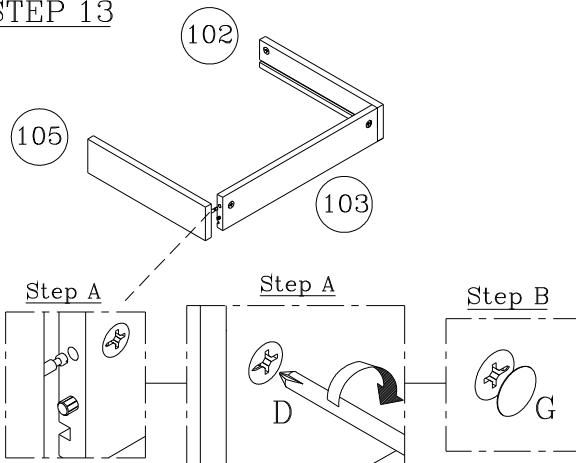


**STEP 12**



- A) Insert Wood Dowel(E) to Left&Right Drawer Side(102&105) & Drawer Back(103)
- B) Attach Cam Lock(D) to Left&Right Drawer Side(102&105) & Drawer Back(103)
- C) Attach Cam Bolt(D) to Drawer Front(101) & Left&Right Drawer Side(102&105)

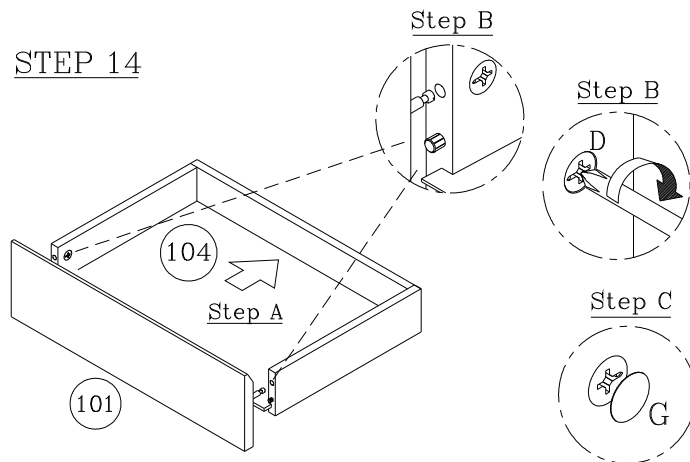
**STEP 13**



- A) Attach Left&Right Drawer Side(102&105) to Drawer Back(103) secure with Cam Lock(D)
- B) Using Cam Lock Cover(G) to cover Cam Lock(D)

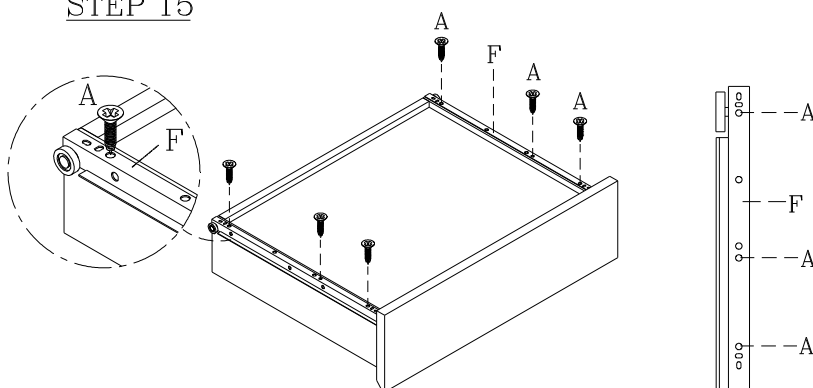
NOTE : Make sure arrows on each Cam Lock points towards nearest edge with holes

**STEP 14**



- A) Slot in Drawer Base(104) in corresponding grooves
- B) Attach Drawer Front(101) to Drawer Box secure with Cam Lock(D)
- C) Using Cam Lock Cover(G) to Cover Cam Lock(D)

**STEP 15**



- A) Turn over the Drawer box, Attach Runner(F) to Drawer Side(102&105) using Chipboard Screw(A) to secure

NOTE: Runner roller should be flush and toward the back of the Drawer Box