

NEWPORT BRASS

VALVES / MISC

IN WALL 2 & 3 WAY DIVERTER VALVE

1-617

Features

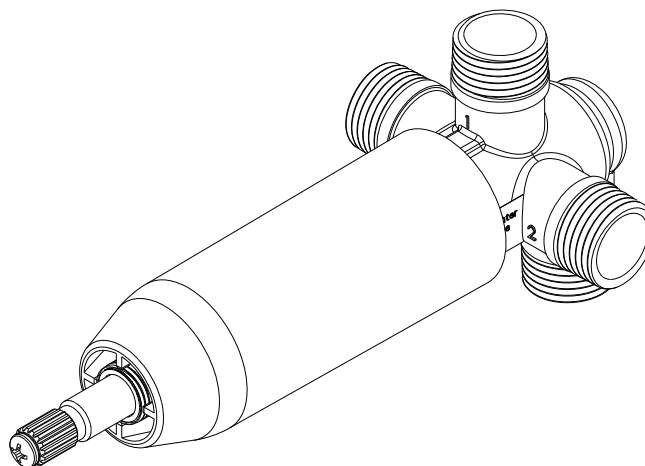
- Solid brass construction
- 2 or 3 way diverter configuration
- Universal 1/2" NPT and direct sweat connections for installation flexibility
- 20-tooth stem with 16-tooth adapter included
- Requires Newport Brass Handle Trim (many options available, sold separately)



Codes / Standards Compliance

Meets or exceeds the following at date of manufacture:

- ASME A112.18.1/CSA B125.1
- IAPMO/cUPC
- IPC
- California Energy Commission
- All applicable US Federal and State material regulations

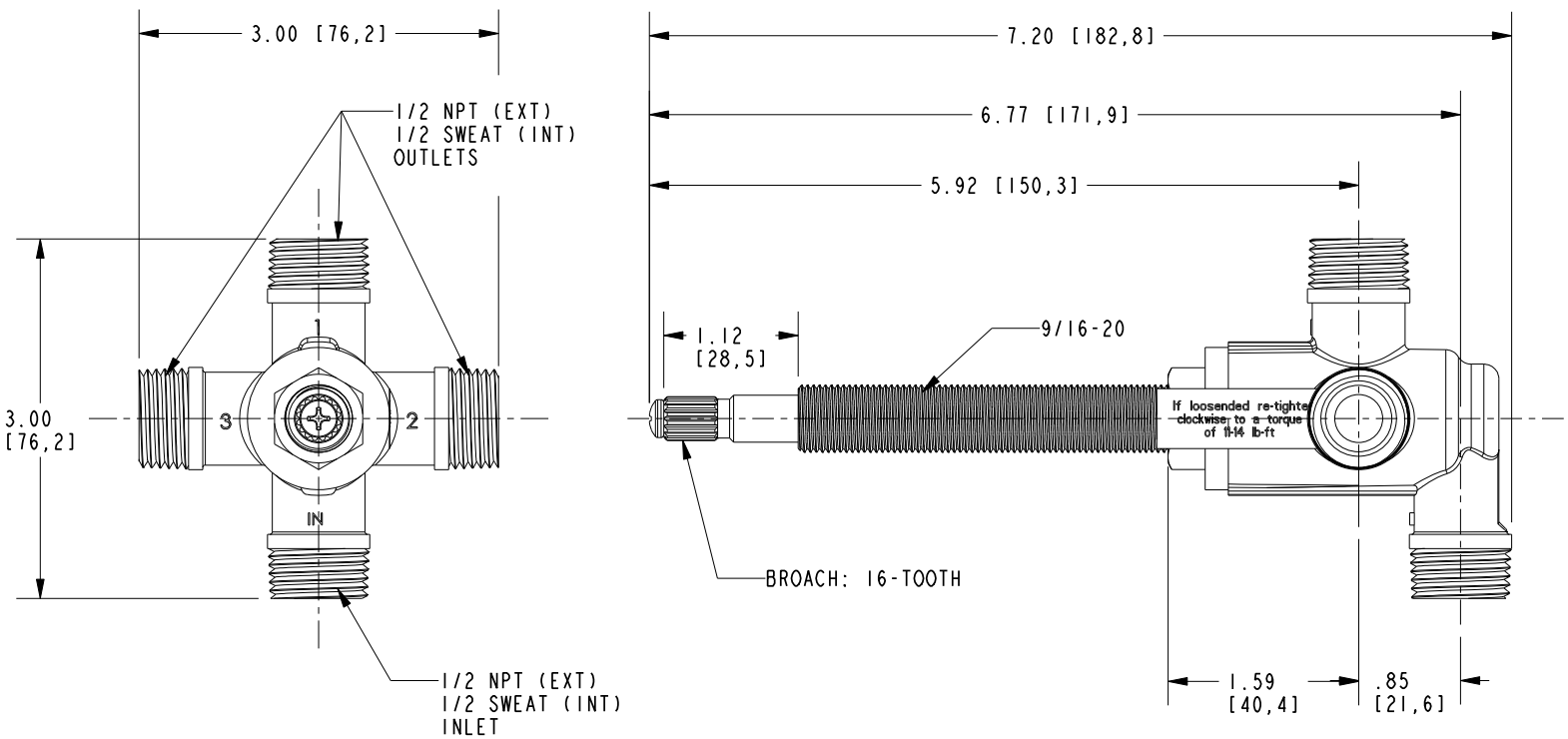


OPTIONAL ACCESSORY	
System Element	Stem Extension
Description	Stem Extension Kit
Part Number	1-384
Image	A line drawing of the Stem Extension Kit, which is a long, thin, cylindrical component with a threaded end and a smooth end.

NEWPORT BRASS

PRODUCT DIMENSIONS *(Units are in inches)*

Product Dimensions are provided for reference only. For specific product installation guidelines, please reference the Installation Instructions of the product being installed.



IN WALL 2 & 3 WAY DIVERTER VALVE

1-617