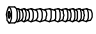




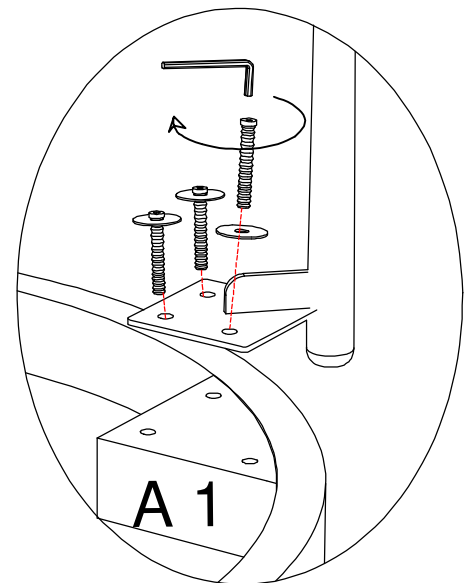
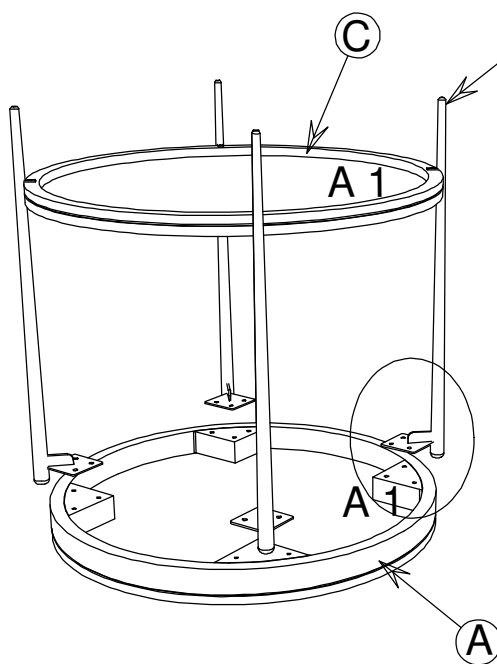
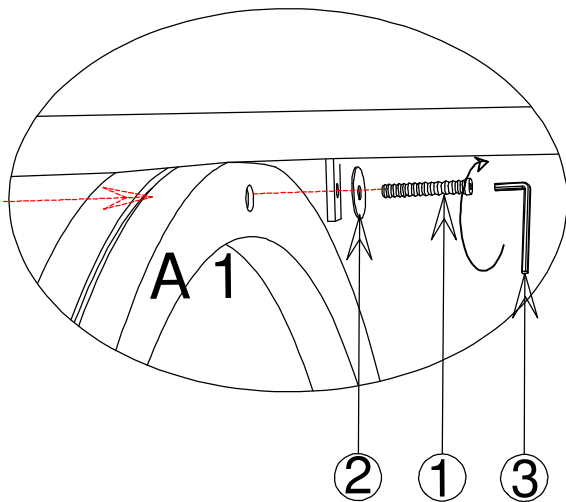
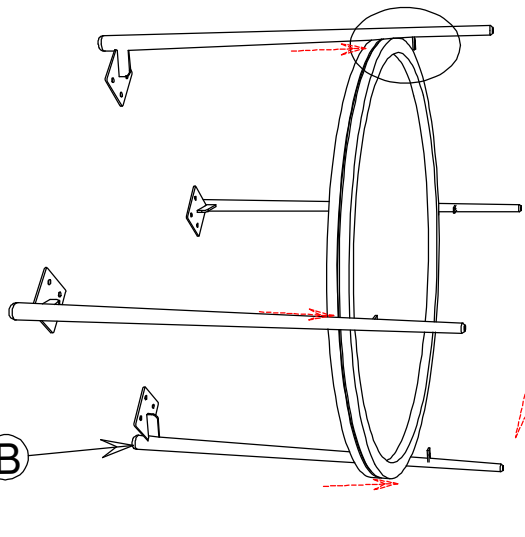
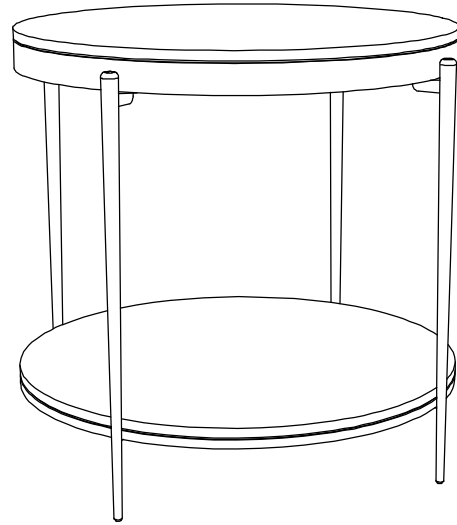
# HEKMAN®

A HOWARD MILLER COMPANY

## ASSEMBLY INSTRUCTION FOR 23704 ROUND SIDE TABLE

### HARDWARE LIST

NO.	ITEM	DESCRIPTION	QTY.
1		JCB Bolt M6 X 20MM	16
2		Flat washer M6X18 MM	16
3		Allen wrench	1



### TO ASSEMBLY :

STEP 1 : Unpack round side table and turn the bottom shelf (c) upside down .

STEP 2 : Align holes in legs (B) with holes on bottom of shelf (c)

STEP 3 : To match the wood grain, matching mark A1 - A1 on top (A) & shelf (C) should align.

STEP 4 : Thread the flat washer(2) , JCB bolt (1) to leg (B) . Do not tighten bolts fully

STEP 5 : Align the holes in legs(B) with inserts in top(A).

STEP 6 : Thread the flat washer(2) , JCB bolt (1) to leg (B) & top(A) . Do not tighten bolts fully

STEP 7 : Tighten bolts in step 3&5 fully with allen wrench (3) then carefully turn the table upright.