



BRADFORD WHITE[®]
W A T E R H E A T E R S

**COMMERCIAL ELECTRIC ENERGY SAVER
REPLACEMENT PARTS LIST
MII Contactor Series
MII Surface Series**



TO GET YOUR BRADFORD WHITE REPLACEMENT PARTS

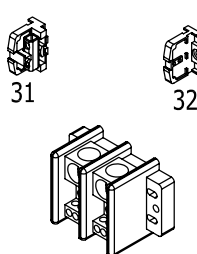
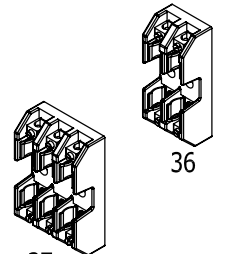
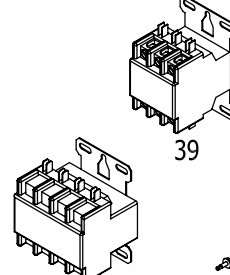
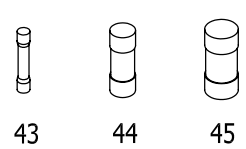
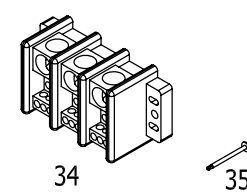
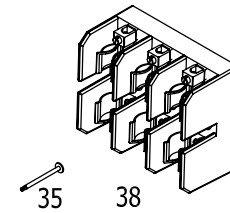
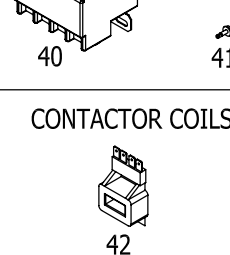
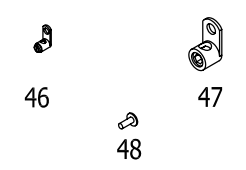
1. USE THE ILLUSTRATION TO FIND THE PART YOU NEED
2. FIND YOUR MODEL WATER HEATER NUMBER ON THE FOLLOWING PAGES
3. REFER TO THE PARTS LISTINGS WITHIN THE COLUMNS
4. IF THE PART NUMBER IS HIGHLIGHTED IN YELLOW YOU CAN DIRECTLY CLICK AND GO THE SHOPPING CART
5. IF THE PART IS NOT DIRECTLY LINKED FIRST USE THE QUICK SEARCH BOX AND IF IT STILL IS NOT FOUND USE THE CONTACT US FORM AND SOMEONE WILL RESPOND WITHIN HOURS.

Includes Hydrojet[®]
Total Performance System

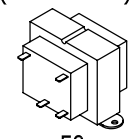
Effective: April 1, 2008

**NOTE: BOTH MODEL AND SERIAL
NUMBERS ARE REQUIRED FOR
ORDERING REPLACEMENT PARTS**

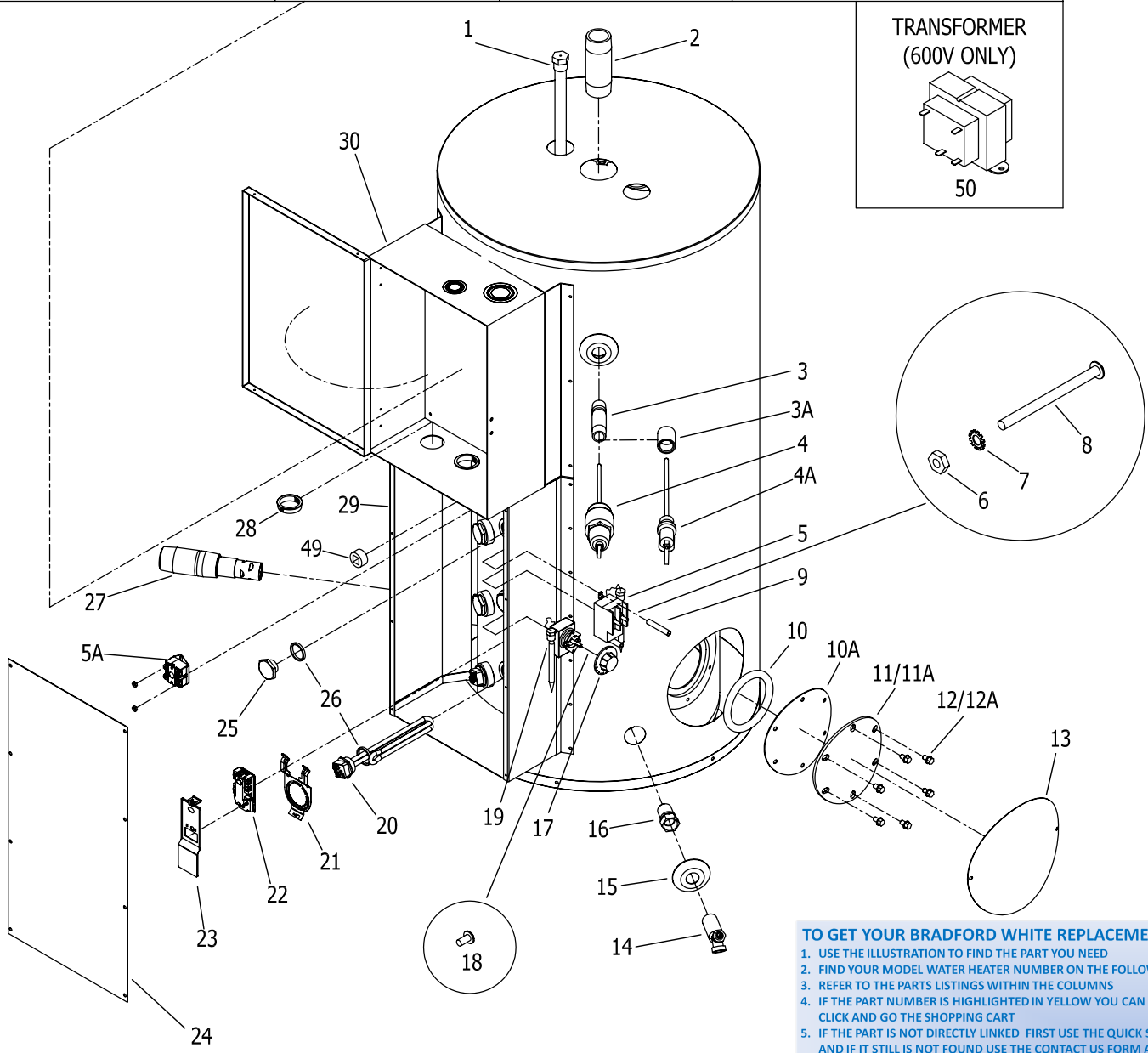
Dimensions and specifications
subject to change without notice.

TERMINAL BLOCKS	FUSE BLOCKS	CONTACTORS	FUSES
 <p>31 32</p> <p>33</p>	 <p>36</p> <p>37</p>	 <p>39</p> <p>40</p>	 <p>43 44 45</p>
 <p>34</p> <p>35</p>	 <p>35</p> <p>38</p>	<p>CONTACTOR COILS</p>  <p>41</p> <p>42</p>	<p>GROUND LUGS</p>  <p>46 47</p> <p>48</p>

**TRANSFORMER
(600V ONLY)**



50



TO GET YOUR BRADFORD WHITE REPLACEMENT PARTS

1. USE THE ILLUSTRATION TO FIND THE PART YOU NEED
2. FIND YOUR MODEL WATER HEATER NUMBER ON THE FOLLOWING PAGES
3. REFER TO THE PARTS LISTINGS WITHIN THE COLUMNS
4. IF THE PART NUMBER IS HIGHLIGHTED IN YELLOW YOU CAN DIRECTLY CLICK AND GO THE SHOPPING CART
5. IF THE PART IS NOT DIRECTLY LINKED FIRST USE THE QUICK SEARCH BOX AND IF IT STILL IS NOT FOUND USE THE CONTACT US FORM AND SOMEONE WILL RESPOND WITHIN HOURS.

TO GET YOUR BRADFORD WHITE REPLACEMENT PARTS

1. USE THE ILLUSTRATION TO FIND THE PART YOU NEED
2. FIND YOUR MODEL WATER HEATER NUMBER ON THE FOLLOWING PAGES
3. REFER TO THE PARTS LISTINGS WITHIN THE COLUMNS
4. IF THE PART NUMBER IS HIGHLIGHTED IN YELLOW YOU CAN DIRECTLY CLICK AND GO TO THE SHOPPING CART
5. IF THE PART IS NOT DIRECTLY LINKED FIRST USE THE QUICK SEARCH BOX AND IF IT STILL IS NOT FOUND USE THE CONTACT US FORM AND SOMEONE WILL RESPOND WITHIN HOURS.

Item Description	Model MII50(A)	Model MII80(A)	Model MII120(A)
1 Magnesium Anode Rod	224-32758-15 (Qty. 2)	224-32758-14 (Qty. 2)	224-32758-14 (Qty. 2)
Aluminum Anode Rod	224-38508-03 (Qty. 2)	224-38508-07 (Qty. 2)	224-38508-07 (Qty. 2)
2 Nipple-Plastisert 1 1/2 X 5	229-40913-06	229-40913-06	229-40913-06
3 Nipple-Plastisert 3/4 X 4	229-32762-09	229-32762-09	229-32762-09
3A Coupling-3/4 X 1-5/8	239-46679-00	239-46679-00	239-46679-00
4 T&P Relief Valve 30 Kw & Above (Female Threads)	230-30246-00	230-30246-00	230-30246-00
4A T&P Relief Valve Thru 27Kw (Male Threads)	230-32920-04	230-32920-04	230-32920-04
5 High Limit Switch**	264-33461-00	264-33461-00	264-33461-00
5A High Limit Switch ▲	219-47205-00	219-47205-00	219-47205-00
6 Hex Nut-#10-32**	239-34049-00	239-34049-00	239-34049-00
7 External Tooth Washer #10**	239-81540-00	239-81540-00	239-81540-00
8 Screw-#10-32 X 2 1/2**	239-34048-00	239-34048-00	239-34048-00
9 High Limit Spacer	264-34190-00 (Qty. 2)	264-34190-00 (Qty. 2)	264-34190-00 (Qty. 2)
10 Cleanout Gasket (O-Ring)	205-18427-00	205-18427-00	205-18427-00
10A Cleanout Gasket (ASME)	205-32942-00	205-32942-00	205-32942-00
11 Cleanout Cover	205-18428-00	205-18428-00	205-18428-00
11A Cleanout Cover (ASME)	205-32941-00	205-32941-00	205-32941-00
12 Cleanout Screw-5/16-18 X 1/2	239-82166-00 (Qty. 6)	239-82166-00 (Qty. 6)	239-82166-00 (Qty. 6)
12A Cleanout Screw (ASME)-5/16-18 X 3/4	239-32970-00 (Qty. 6)	239-32970-00 (Qty. 6)	239-32970-00 (Qty. 6)
13 Jacket Cleanout Cover	243-20299-00	243-20299-00	243-20299-00
14 Brass Drain Valve	265-42351-02	265-42351-02	265-42351-02
15 Finished Flange-2 7/8 O.D.	239-41414-00	239-41414-00	239-41414-00
16 Extender-3/4 X 2	229-19100-00	229-19100-00	229-19100-00
17 Thermostat Dial**	264-33459-00	264-33459-00	264-33459-00
18 Screw-#6-32 X 1/4**	264-81722-00 (Qty. 2)	264-81722-00 (Qty. 2)	264-81722-00 (Qty. 2)
19 Immersion Thermostat**	264-33460-00	264-33460-00	264-33460-00
20 Heating Element	See Element Table	See Element Table	See Element Table
21 Surface Thermostat Bracket*	239-44479-00	239-44479-00	239-44479-00
22 Surface Thermostat*	219-41375-00	219-41375-00	219-41375-00
Surface Thermostat (Low Temp)*	219-82155-00	219-82155-00	219-82155-00
Surface Thermostat (59T) ▲	219-47185-00	219-47185-00	219-47185-00
23 Surface Thermostat Cover*	223-40399-00	223-40399-00	223-40399-00
24 Lower Box Cover	239-82134-01	239-82134-01	239-82134-01
25 Heating Element Plug	223-34020-00	223-34020-00	223-34020-00
26 Heating Element Gasket	223-34019-00	223-34019-00	223-34019-00
27 Cold Water Inlet Nipple	229-44731-00	229-44731-00	229-44731-00
28 Plastic Snap Bushing	239-31428-00 (Qty. 3)	239-31428-00 (Qty. 3)	239-31428-00 (Qty. 3)
29 Lower Box	239-82129-01	239-82129-01	239-82129-01
30 Upper Box (Small)	239-44437-01	239-44437-01	239-44437-01
Upper Box (Large)	239-44438-00	239-44438-00	239-44438-00
31 Terminal Block (Block A)	264-32240-00	264-32240-00	264-32240-00
32 Terminal Block End (Use for Block A)	264-32241-00	264-32241-00	264-32241-00
33 Terminal Block 2 Pole (310A)	264-32244-00	264-32244-00	264-32244-00
Terminal Block 2 Pole (420A)	264-46706-00	264-46706-00	264-46706-00
34 Terminal Block 3 Pole (310A)	264-32245-00	264-32245-00	264-32245-00
35 Screw-#8-18 X 1 1/2	264-34197-00	264-34197-00	264-34197-00
36 Fuse Block 2 Pole G Class (60A, 480V)	264-32263-00	264-32263-00	264-32263-00
Fuse Block 2 Pole T Class (30A, 600V) ▲▲	264-41974-01	264-41974-01	264-41974-01
37 Fuse Block 3 Pole G Class (60A, 480V)	264-32264-00	264-32264-00	264-32264-00
38 Fuse Block 3 Pole J Class (30A, 600V)	264-32265-00	264-32265-00	264-32265-00
Fuse Block 3 Pole J Class (60A, 600V)	264-32266-00	264-32266-00	264-32266-00
Fuse Block 3 Pole T Class (30A, 600V) ▲▲	264-42568-00	264-42568-00	264-42568-00
39 Contactor 3 Pole (35A)	264-32235-00	264-32235-00	264-32235-00
Contactor 3 Pole (35A) ▲▲	264-41988-01	264-41988-01	264-41988-01
Contactor 3 Pole (50A)	264-32237-00	264-32237-00	264-32237-00
40 Contactor 4 Pole (35A)	264-32236-00	264-32236-00	264-32236-00
Contactor 4 Pole (50A)	264-32238-00	264-32238-00	264-32238-00
41 Screw-#8-18 X 1/2	239-32761-00	239-32761-00	239-32761-00
42 Contactor Coil (480V)	264-32239-00	264-32239-00	264-32239-00
Contactor Coil (277V)	264-33428-00	264-33428-00	264-33428-00

* Used on Surface Mounted Thermostat Models Only (example: MII120123SF16)

** Used on Immersion Thermostat Models Only (example: MII120123CF16)

▲ Used on 600V Contactors with Surface Mounted Thermostat Models Only. (example: MII120123SCFDL123-866)

▲▲ Used on 600V Models Only