

Features

- Single-speed whirlpool offers performance and value with 8 fully adjustable jets
- Hydromassage flow and direction can be controlled at each jet
- Integral lumbar support and armrests offer extra comfort while bathing
- Textured bottom surface
- Coordinates with other products in the Devonshire collection

Material

- Acrylic

Hydrotherapy

- Whirlpool

Installation

- Reversible drain
- Drop-in

Required Products/Accessories

K-T37391 Rotary-turn bath drain trim

K-T37392 Rotary-turn bath drain trim

or

K-37385 rough-in cable drain, PVC, 45" cable

K-78439 45" cable bath drain

Recommended Products/Accessories

K-1491 Bath/Whirlpool Pillow

K-1601 Bath/whirlpool footstop, removable

K-7213 27" Cable Bath Drain

K-7214 27" Cable Bath Drain

K-7259 Brass toe tap bath drain

K-706000-D3 Frameless Sliding Bath Door

K-706000-L 62" H sliding bath door with 1/4"-thick glass

K-706004-D3 Frameless Sliding Bath Door

K-706004-L Frameless Sliding Bath Door

K-1177 Vinyl Tiling-in Bead

K-23726 Drain treatment



Codes/Standards

ASME A112.19.7/CSA B45.10

CSA B45.5/IAPMO Z124

ASTM E162

ASTM E662

UL 1795

CSA C22.2 No. 218.2

UL Listed

KOHLER® Plastic Baths and Shower Bases Lifetime Limited Warranty KOHLER® Hydrotherapy Components Five-Year Limited Warranty

See website for detailed warranty information.

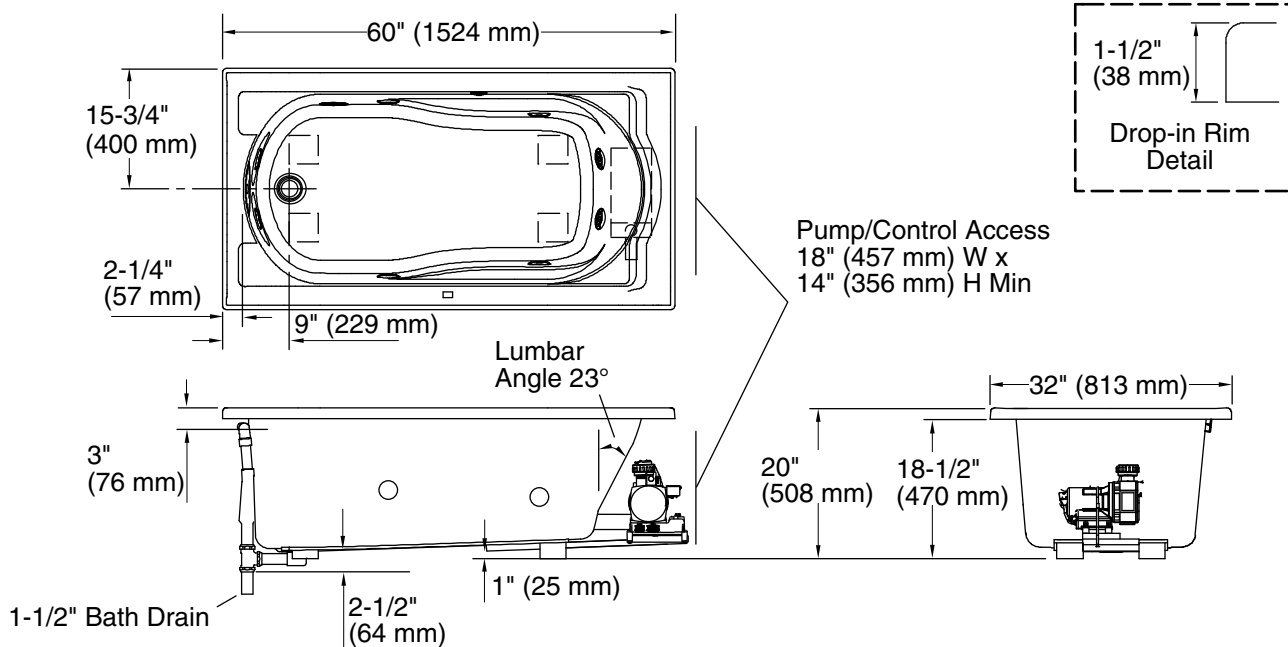
Available Colors/Finishes

Color tiles intended for reference only.

Color Code Description

■ 0 White

No change in measurements with drain shown. (K-7161-AF)



Required Electrical Service

One dedicated circuit required, protected with Class A Ground-Fault Circuit-Interrupter (GFCI). Outside North America, this device may be known as a Residual Current Device (RCD).

Pump: 120 V, 15 A, 60 Hz

Technical Information

All product dimensions are nominal.

Drain location: Reversible
 Basin area, bottom: 42" x 20" (1067 mm x 508 mm)
 Basin area, top: 51" x 24" (1295 mm x 610 mm)
 Weight: 100 lbs (45.4 kg)
 Minimum floor load: 47 lbs/ft² (229.5 kg/m²)
 Water depth: 14" (356 mm)
 Water capacity: 60 gal (227.1 L)
 Cutout: Drop-in, 58" x 30" (1473 mm x 762 mm)
 Electrical component Pump: 120 V, 7 A, 60 Hz
 rating:
 Pump speed: Single
 Minimum flat for door: 2-1/2" (64 mm)

Notes

Measure your actual product for rough-in details.

Install this product according to the installation instructions.

The hot water supply should be 70% of the capacity of the bath or greater. Installations will vary.