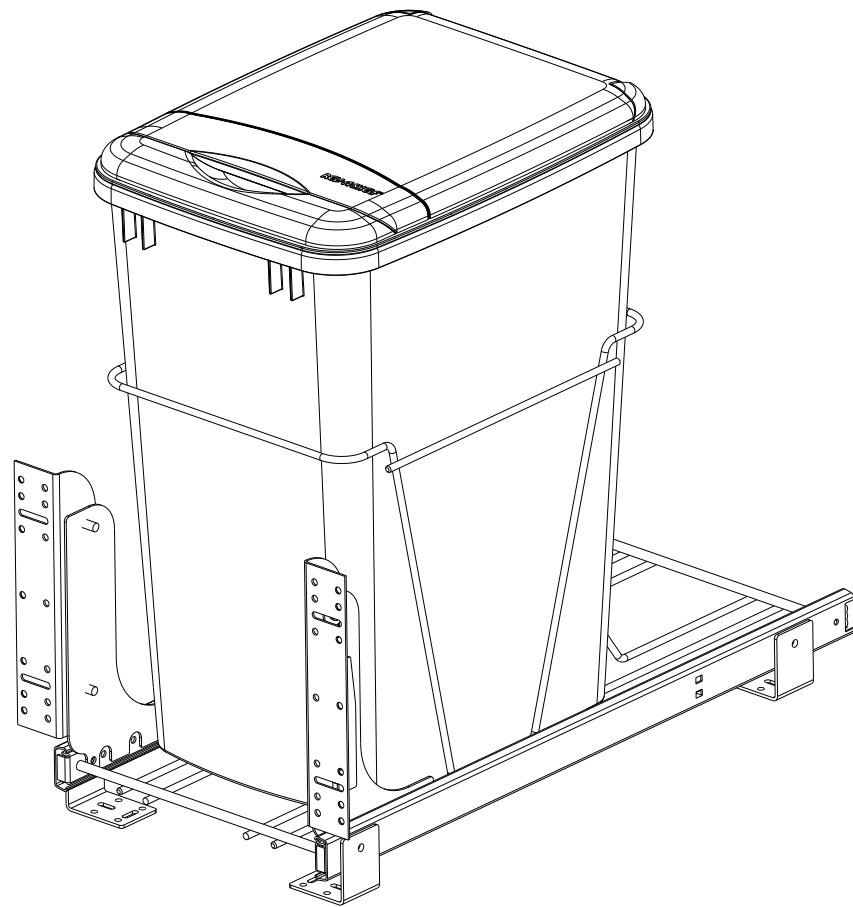


CUSTOMER DRAWING

This drawing is the property of Rev-A-Shelf (RAS) and is disclosed in confidence to the extent its subject matter is original to RAS. Any vendor receiving this drawing from RAS shall hold and use this drawing for the sole benefit of RAS and shall not disclose it to, or use or reproduce it for any third party, or perform any act adverse to the interest of RAS with respect to this drawing without the express written permission of RAS. Vendors shall not revise any physical, dimensional or performance characteristic unless authorized by Rev-A-Shelf Engineering.

REV.	DATE	BY	DESCRIPTION OF CHANGE

INCH [MM]	AMERICAN PROJECTION 	DRAWN	BY	DATE	REV-A-SHELF, INC.	
			LCS	6/13/22	SIZE	B
TOLERANCES			MATERIAL	DRAWING NO.	SCALE	
MAT. DEC. (WOOD) .XX ±.03 [.8mm] (OTHER) .XX ±.02 [.5mm] (ALL) .XXX ±.005 [.13 mm] FRACTIONS ±1/32 [.8 mm]			FINISH	RV-12PB-L	0.188	
ANGLES ±1/2°				PART NO.	SHEET OF	
				RV-12PB-L	1	2



PART DIMENSIONS	
WIDTH	10.46 [265,7]
DEPTH	22.31 [566,7]
HEIGHT	20.15 [511,7]
CONTAINER CAPACITY	35
CONTAINER UOM	QT

MIN CABINET OPENING				
	FACE FRAME	FRAMELESS	INSET FACE FRAME	INSET FRAMELESS
WIDTH	11.00 [279,4]	11.00 [279,4]	11.00 [279,4]	11.00 [279,4]
DEPTH	22.31 [566,7]	22.31 [566,7]	23.06 [585,8]	23.06 [585,8]
HEIGHT	20.40 [518,2]	20.40 [518,2]	20.40 [518,2]	20.40 [518,2]

SLIDE SPECIFICATIONS				
SLIDE MANUFACTURER	ACCURIDE			
SLIDE PART NUMBER	34BB-22X	RELEASE PART NUMBER	N/A	
SLIDE TYPE	BALL BEARING	SLIDE EXTENSION	3/4 EXTENSION	MAX WEIGHT RATING
SLIDE CLOSING	N/A	SLIDE LENGTH	22.00 [559,0]	
SLIDE MOUNTING	BOTTOM	SLIDE FINISH	WHITE E-COAT	100LB

CUSTOMER DRAWING

This drawing is the property of Rev-A-Shelf (RAS) and is disclosed in confidence to the extent its subject matter is original to RAS. Any vendor receiving this drawing from RAS shall hold and use this drawing for the sole benefit of RAS and shall not disclose it to, or use or reproduce it for any third party, or perform any act adverse to the interest of RAS with respect to this drawing without the express written permission of RAS. Vendors shall not revise any physical, dimensional or performance characteristic unless authorized by Rev-A-Shelf Engineering.

REV.	DATE	BY	DESCRIPTION OF CHANGE

INCH [MM]	AMERICAN PROJECTION 	DRAWN	BY	DATE	REV-A-SHELF, Inc.
			LCS	6/13/22	
					SIZE B
					SINGLE 35QT W/ LID WIRE PULLOUT 3/4 EXTENSION
					DRAWING NO. RV-12PB-L
					SCALE 0.188
					PART NO. RV-12PB-L
					SHEET 2 OF 2

TOLERANCES
 MAT. DEC.
 (WOOD) .XX ±.03 [.8mm]
 (OTHER) .XX ±.02 [.5mm]
 (ALL) .XXX ±.005 [.13 mm]
 FRACTIONS ±1/32 [.8 mm]

ANGLES ±1/2°

MATERIAL

FINISH