



Assembly Instructions

D1754-40B Maximus China Cabinet Buffet/Base

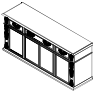


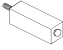
D1754-40T Maximus China Cabinet Top

Thank you for purchasing this quality product. Be sure to check all packing materials carefully for small parts, which may have come loose inside the carton during shipment. Identify and count all items and compare with the PARTS LIST and/or HARDWARE LIST shown below.


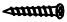
Caution: Please read the instructions thoroughly before assembly.

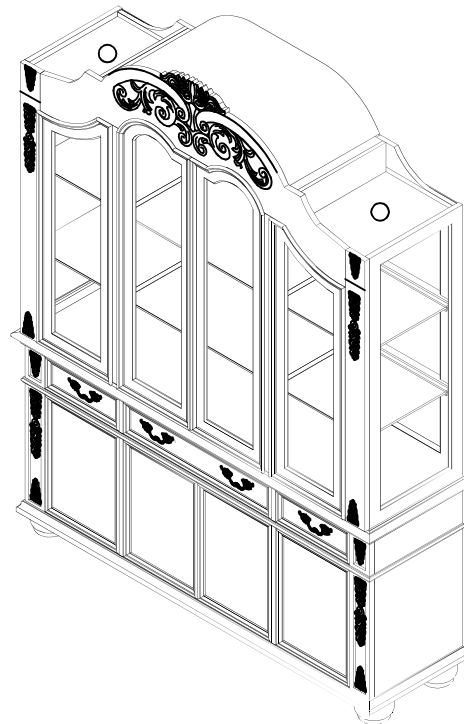
1. We recommend that you assemble this product with the assistance of another person: this will make the assembly easier, and will help eliminate damage to the product or injury to persons during assembly.
2. Please do not over tighten screws or bolts until the assembly is completed.
3. Please put all parts on a non-abrasive floor before assembly, and follow the assembly steps to assemble your newly purchased product correctly and efficiently

PARTS LIST

NO:	COMPONENT	DRAWING	Q'TY
A	CABINET BUFFET		1PC
B	CABINET TOP		1PC
C	FEET		4PCS
D	CENTER LEG		1PC

HARDWARE LIST

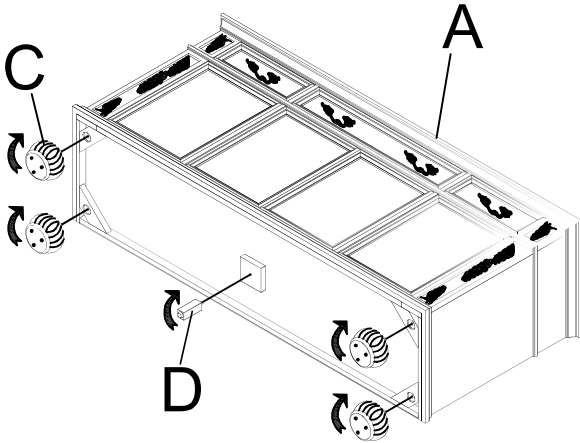
NO:	COMPONENT	DRAWING	Q'TY
1	Tipping Restraint		1pc
2	Screw: #8*25mm		6pcs



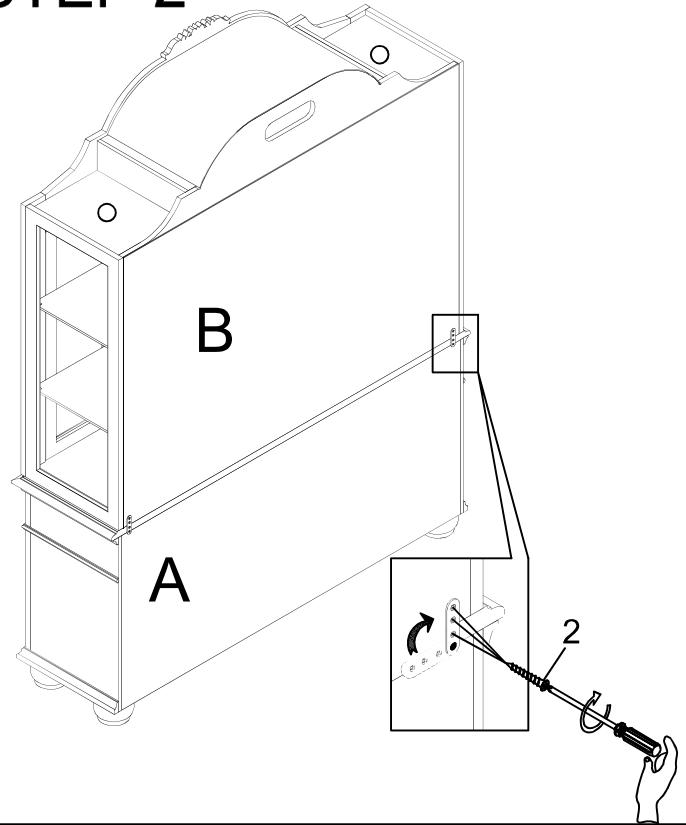
Assembly Instructions

D1754-40B Maximus China Cabinet Buffet/Base
D1754-40T Maximus China Cabinet Top

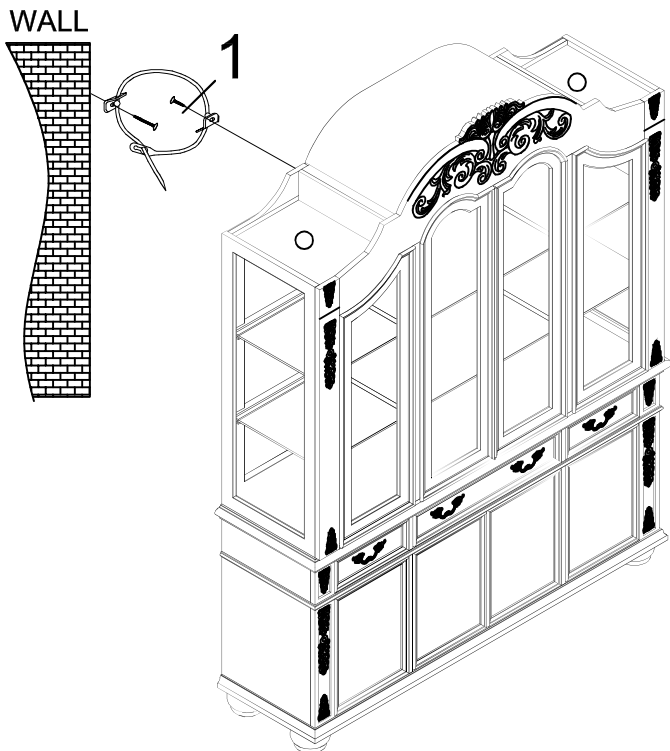
STEP 1



STEP 2



STEP 3



STEP 4

