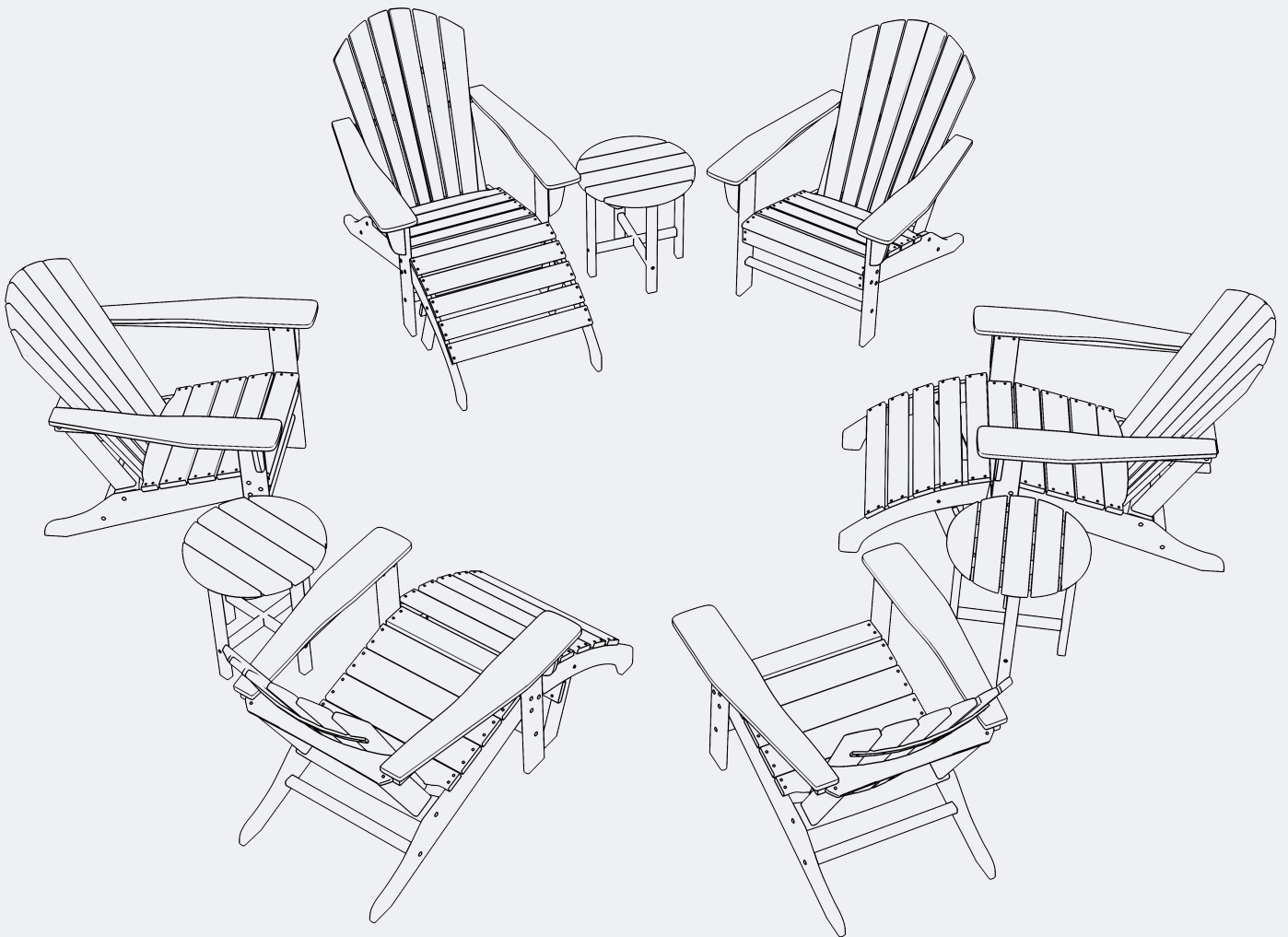


# INSTRUCTION MANUAL



12 Piece Outdoor Adirondack Chair  
With Ottoman And Side Table

V1.0

# TABLE OF CONTENTS

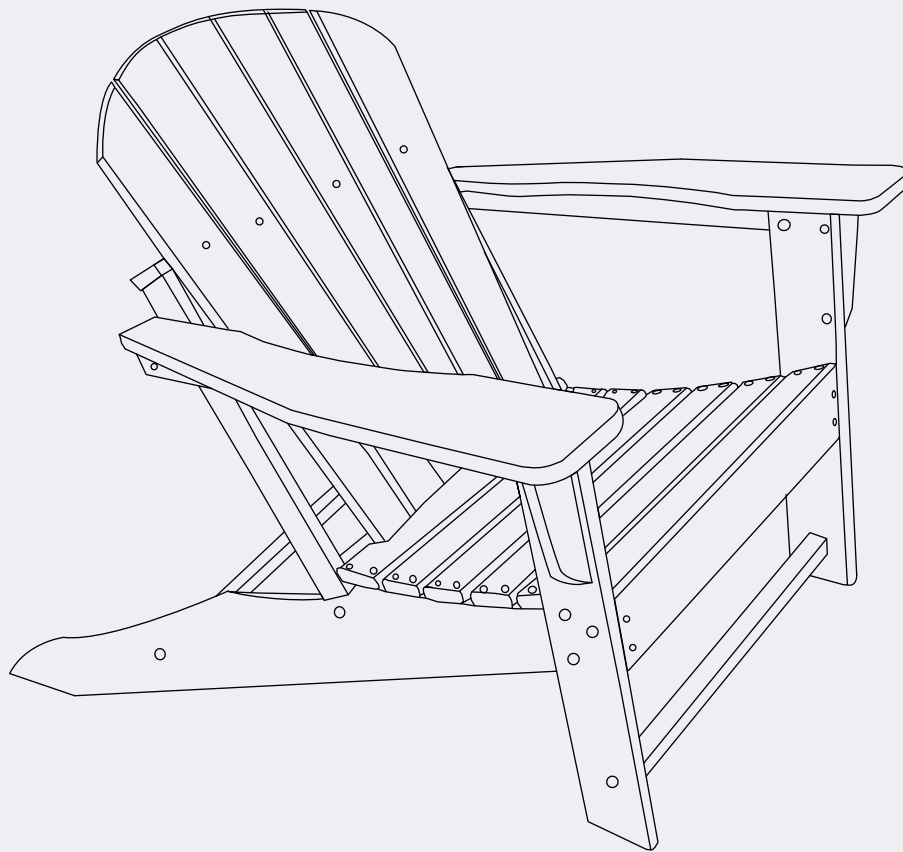
---

## ASSEMBLY INSTRUCTIONS

Altura Outdoor Adirondack Chair..... 3

Round 18" Side Table ..... 13

# INSTRUCTION MANUAL

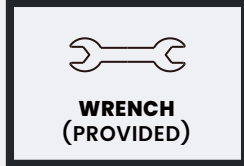


Altura Outdoor Adirondack Chair

## ! CARE & MAINTENANCE

- **Do not overtighten bolts. (Insert all bolts before tightening bolts.)**
- Please do not exceed the weight limitations of this item.
- Do not stand on or use any part of this item as a step ladder.
- Firmly secure all bolts, screws and nuts before use.
- Reconfirm that all bolts, screws, and nuts are secure every 90 days.
- Do not use or store this item in the proximity of open flame or flammable/combustible chemicals.
- Be aware that some parts are heavy and have sharp edges.

## TOOLS REQUIRED



**CHAIR  
330 LBS  
CAPACITY**

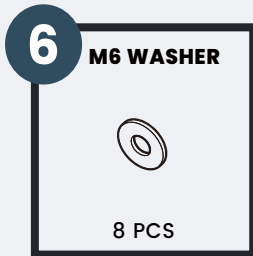
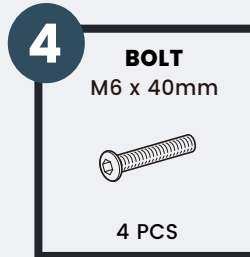
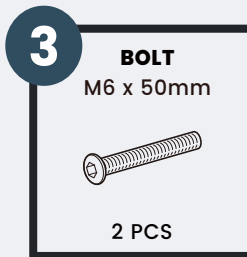
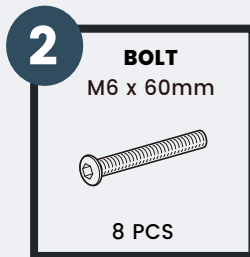
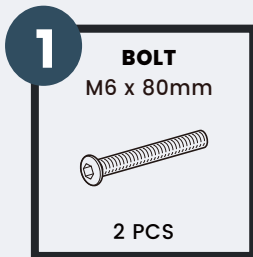


**1 PERSON  
ASSEMBLY**

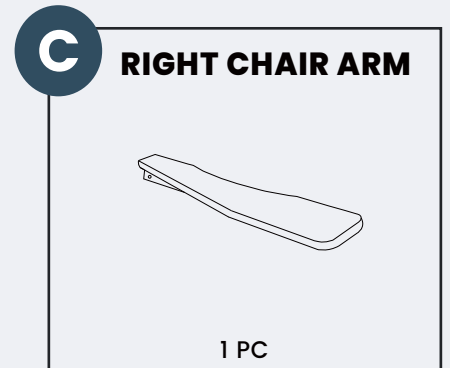
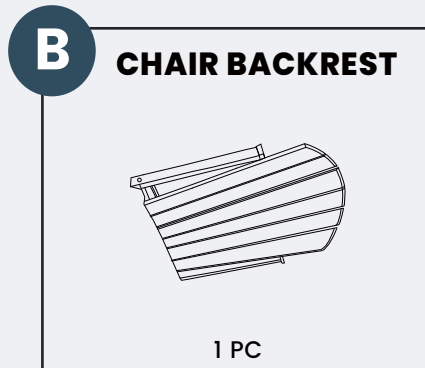
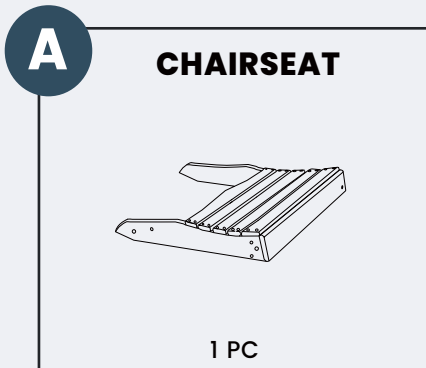


**UP TO 30 MIN.  
ASSEMBLY**

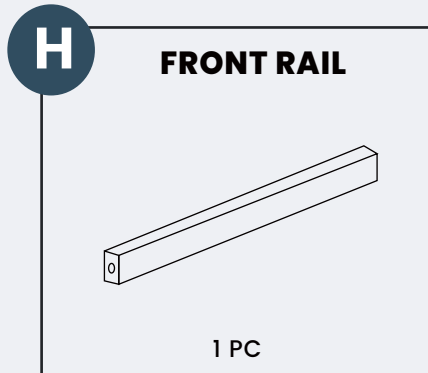
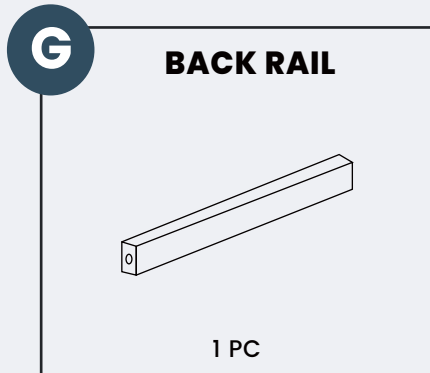
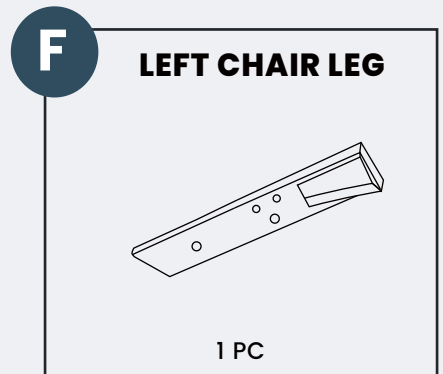
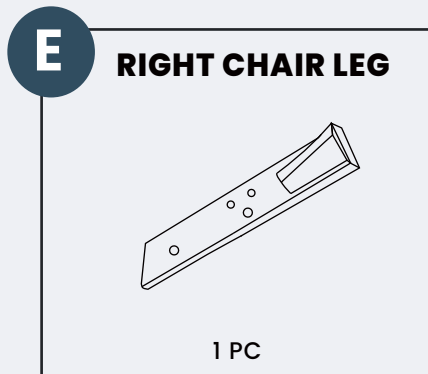
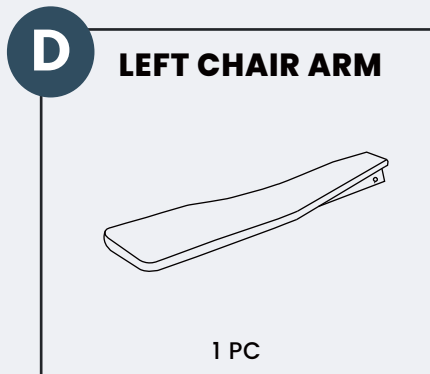
## HARDWARE



## PARTS

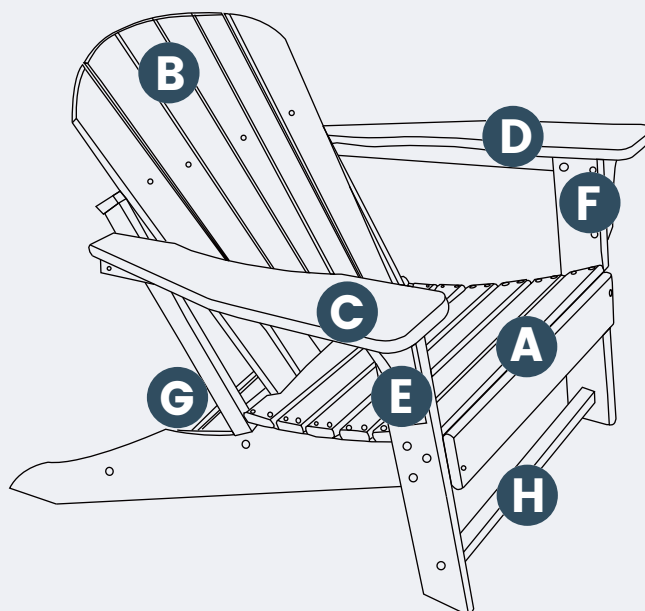


## PARTS



## PRODUCT ASSEMBLY – OVERALL VIEW

Look at following overall view of this chair and learn the exact position of each part to be assembled.



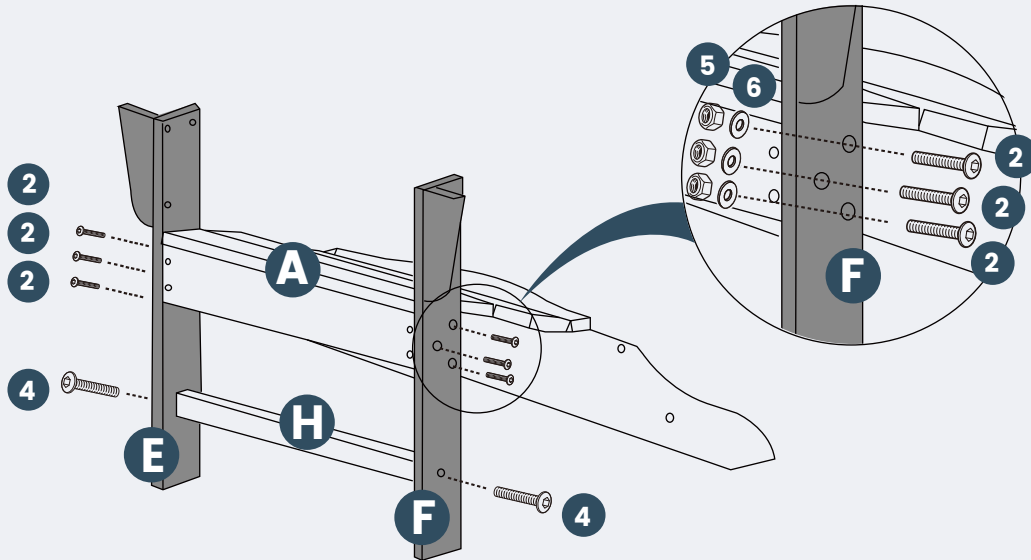
## PRODUCT ASSEMBLY

1

Attach **Part F Left Chair Leg** to **Part A Chair Seat** with 3 pcs of **Hardware #2 Bolt**, **Hardware #6 Washer** and **Hardware #5 Nut**. Do the same to **Part E Right Chair Leg** and **Part A Chair Seat**.

Attach **Part H Front Rail** to two chair legs with 2 pcs of **Hardware #4 Bolt**.

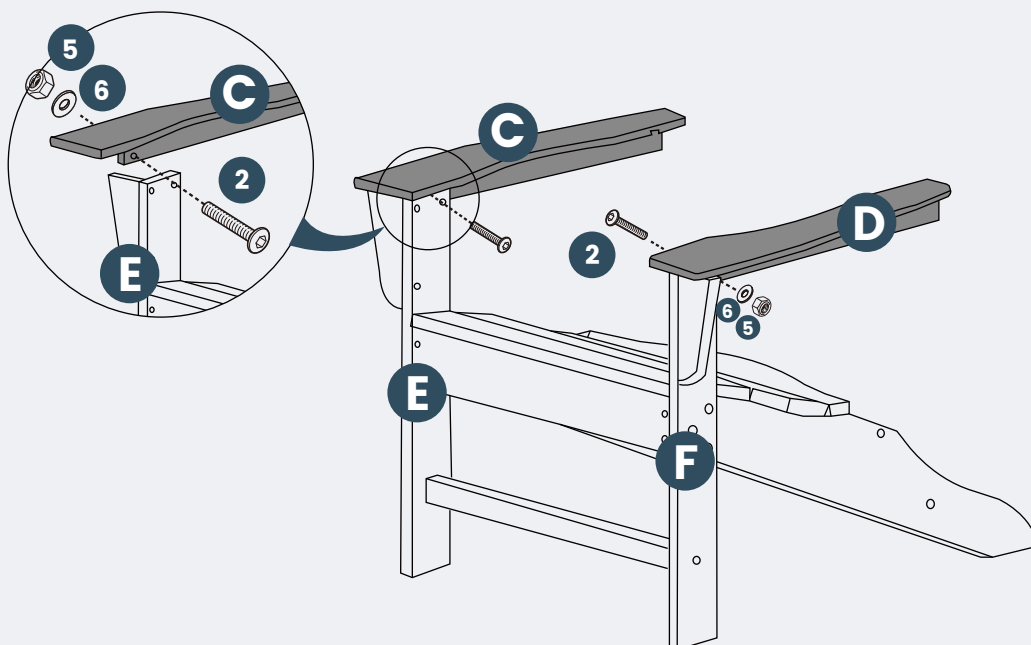
Do not tighten bolts too much at this stage.



2

Attach **Part C Right Chair Arm** to **Part E Right Chair Leg** with 1pc of **Hardware #2 Bolt**, **Hardware #6 Washer** and **Hardware #5 Nut**.

Do the same to attach **Part D Left Chair Arm** to **Part F Left Chair Leg**.

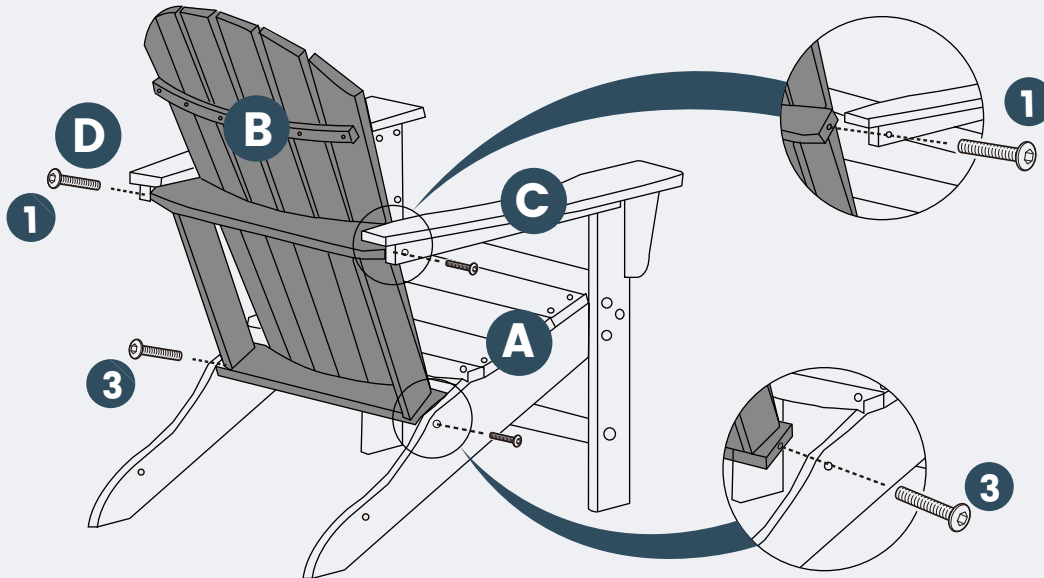


## PRODUCT ASSEMBLY

**3**

Attach **Part B Chair Backrest** to **Part C Right Chair Arm** and **Part D Left Chair Arm** with 2 pcs of **Hardware #1 Bolt**.

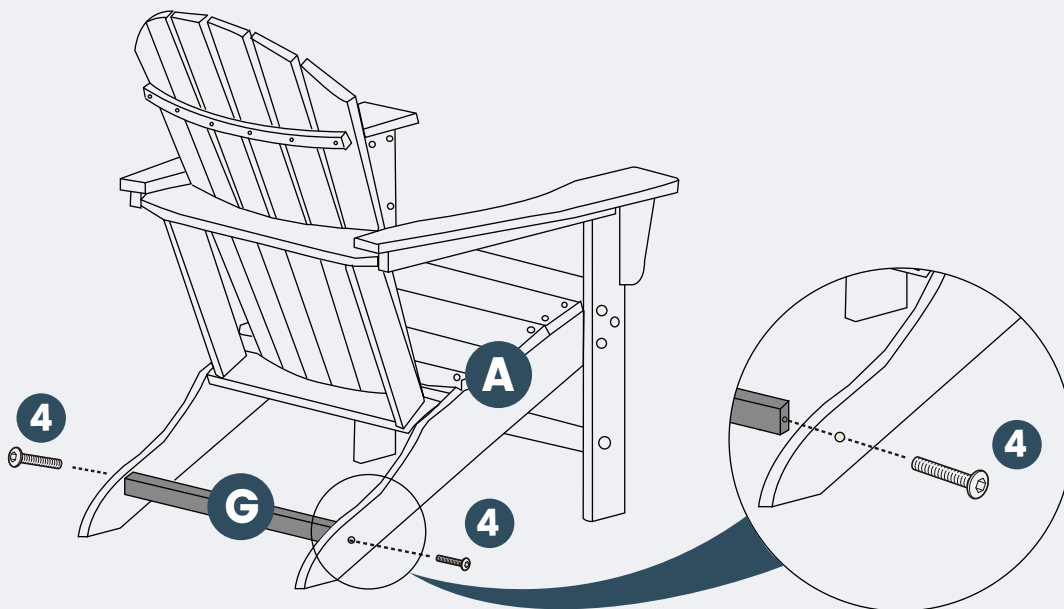
Attach **Part B Chair Backrest** to **Part A Chair Seat** with 2 pcs of **Hardware #3 Bolt**.



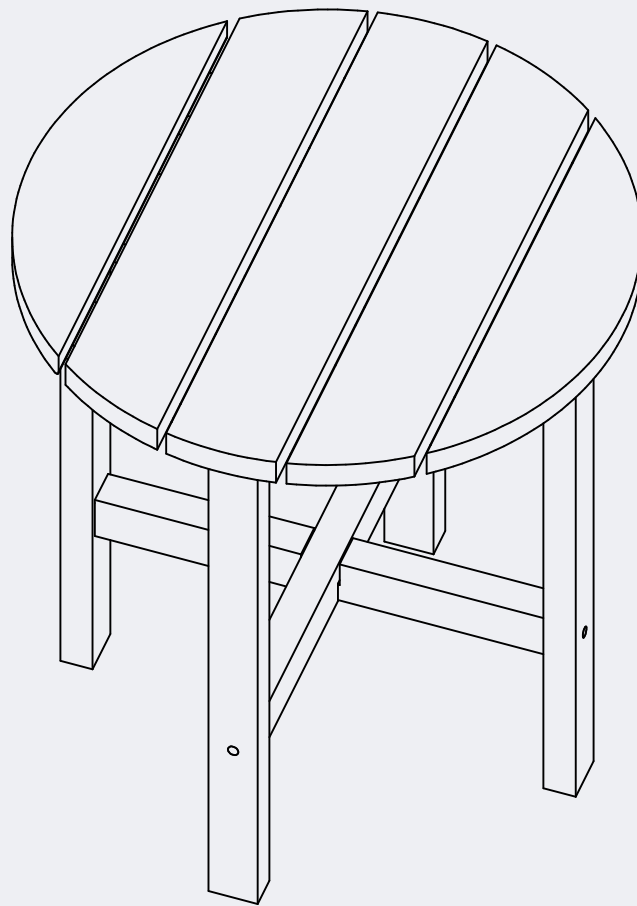
**4**

Attach **Part G Back Rail** between rear legs of **Part A Chair Seat** with 2 pcs of **Hardware #4 Bolt**.

Check and tighten all the bolts and screws again to finish the assembly.



# INSTRUCTION MANUAL



Round 18" Side Table

## ! NOTICE

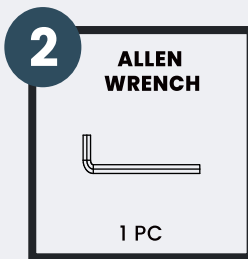
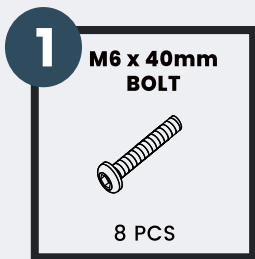
### Do not overtighten bolts. (Insert all bolts before tightening bolts.)

- Please do not exceed the weight limitations of this item.
- Do not stand on or use any part of this item as a step ladder.
- Firmly secure all bolts, screws and nuts before use.
- Reconfirm that all bolts, screws, and nuts are secure every 90 days.
- Do not use or store this item in the proximity of open flame or flammable/combustible chemicals.
- Be aware that some parts are heavy and have sharp edges.

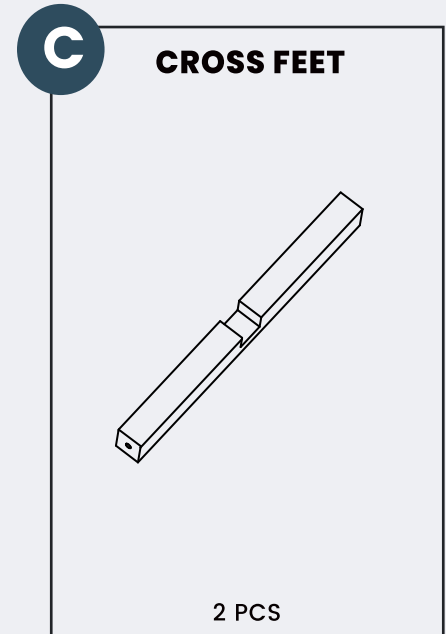
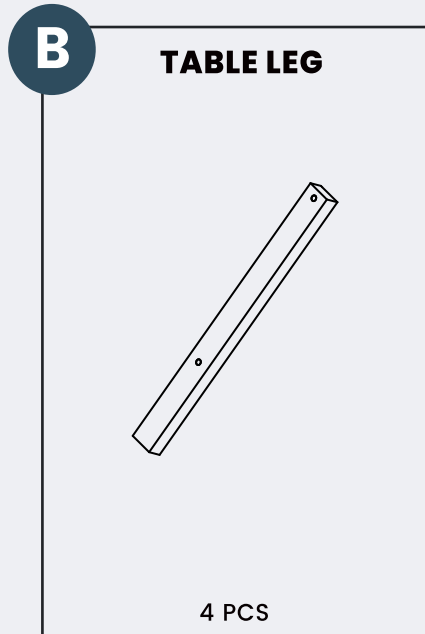
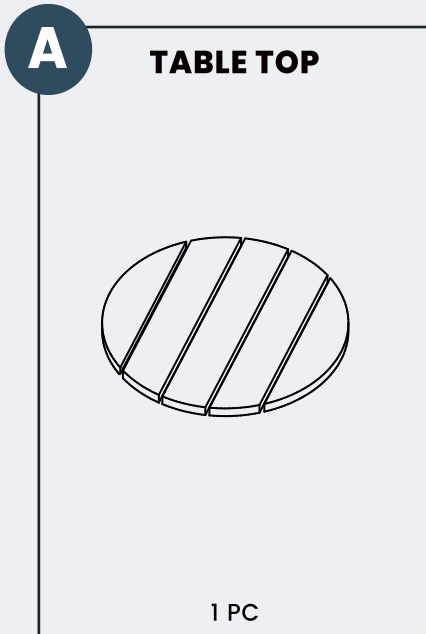
## TOOLS REQUIRED



## HARDWARE

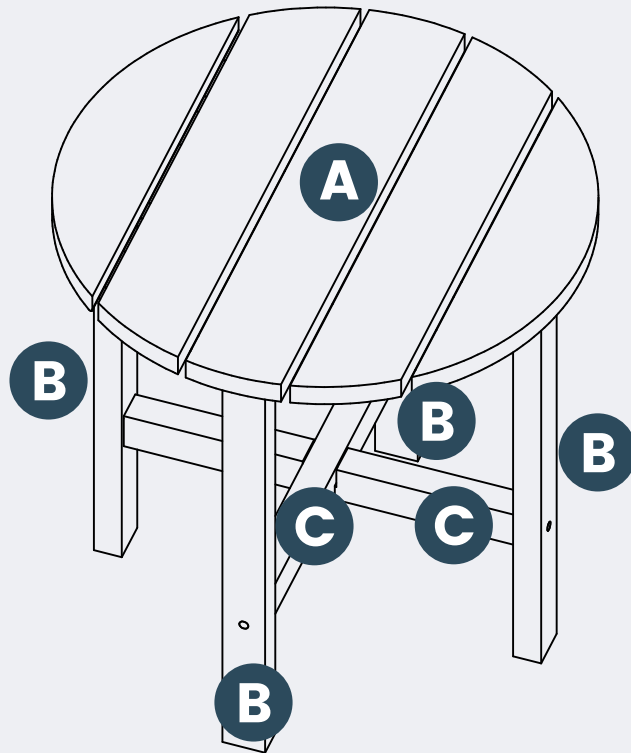


## PARTS



## PRODUCT ASSEMBLY - OVERALL VIEW

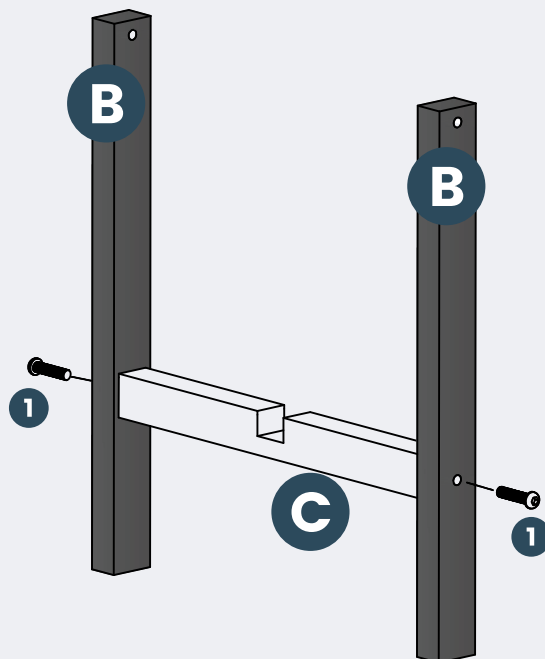
Look at following overall view of this table and learn the exact position of each part to be assembled.



## PRODUCT ASSEMBLY

1

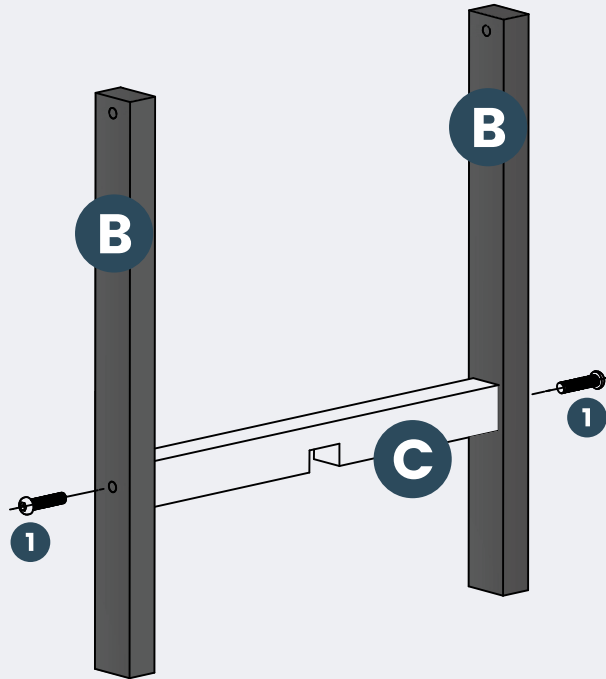
Attach **Part C Cross Feet** to 2 pcs of **Part B Table Leg** with 2 pcs of **Hardware #1 Bolt** as shown below.



## PRODUCT ASSEMBLY

2

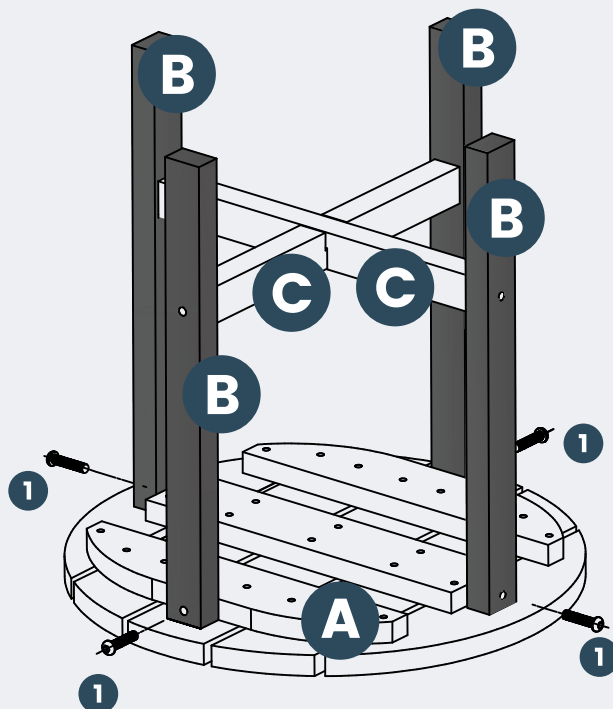
Attach **Part C Cross Feet** to 2 pcs of **Part B Table Leg** with 2 pcs of **Hardware #1 Bolt** as shown below.



3

Cross the parts from step 1 and step 2, then attach 4 pcs of **Part B Table Leg** to **Part A Table Top** with 4 pcs of **Hardware #1 Bolt**.

Check and tighten all the bolts and screws again to finish the assembly.



---

## CLEANING TIPS

**REGULAR CLEAN:** Use a mixture of warm water and mild soap. Gently scrub the surface with a soft bristle brush to remove any dirt or stains.

**QUICK CLEAN:** You can simply wipe down the furniture with a damp cloth.

Regular cleaning not only preserves the aesthetic appeal of your furniture, but also helps extend its lifespan.