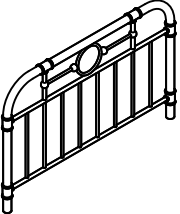
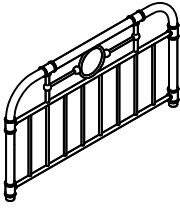


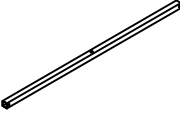

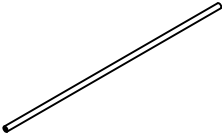
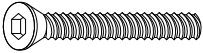
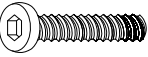
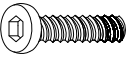



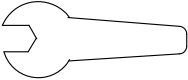
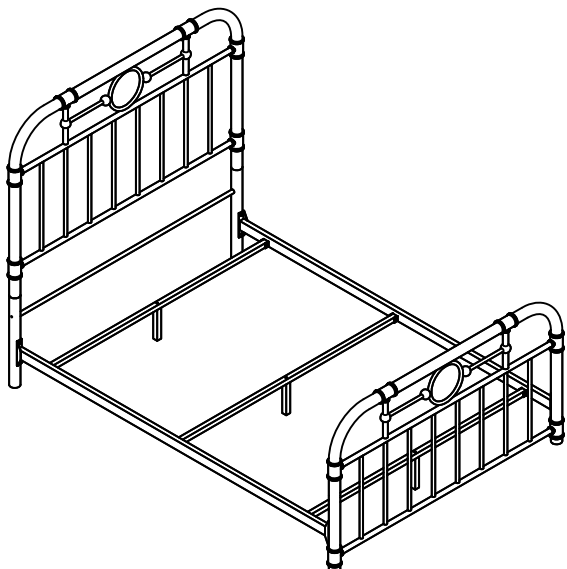


ASSEMBLY INSTRUCTION

METAL FULL BED

A Headboard  1pc	B Footboard  1pc	C Extension Leg  2pcs	D Side Rail  2pcs
E Slats  3pcs	F Support Leg  3pcs	G Bar  1pc	H Bolt 1/4", 64mm  6pcs
I Bolt 1/4", 44mm  9pcs	J Bolt 1/4", 19mm  8pcs	K Nut 1/4"  10pcs	L Flat Washer Ø 16mm  23pcs
M Allen Wrench 4X4mm  1pc	N Wrench 11.3mm  1pc		





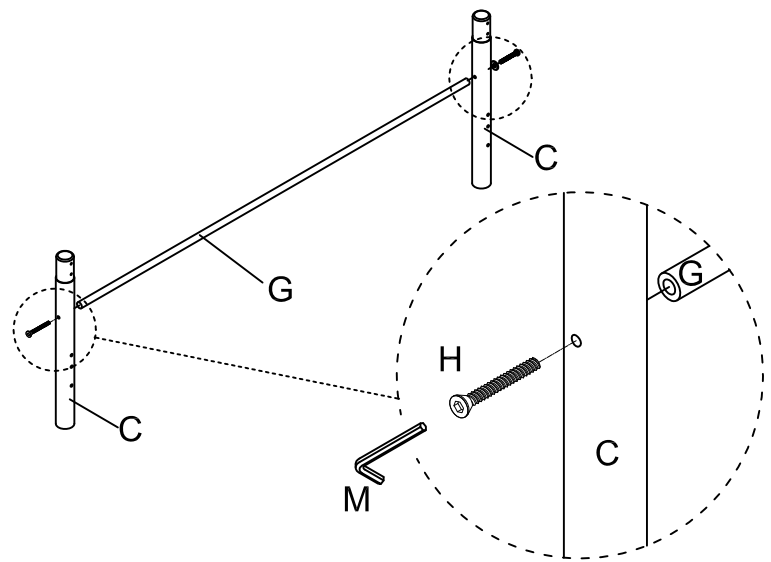
This page lists all the contents included in the box. Please take the time to identify the hardware as well as the individual components to this product. As you unpack and prepare for assembly, place the contents on a carpeted or padded area to protect them from damage.

ASSEMBLY


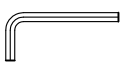
Do not fully tighten all bolts until assembly is complete. This will help all parts to assemble properly.

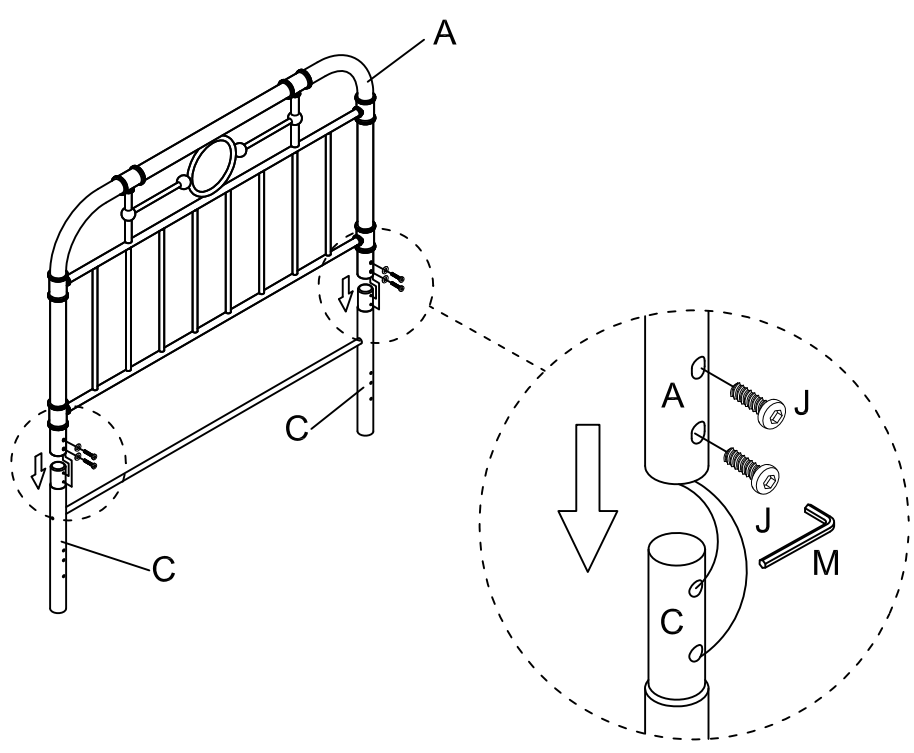
1 Assemble the bar (G) to the extension leg (C) with 2pcs bolts (H), then fastened using allen wrench (M).

- H  2pcs
- M  1pc

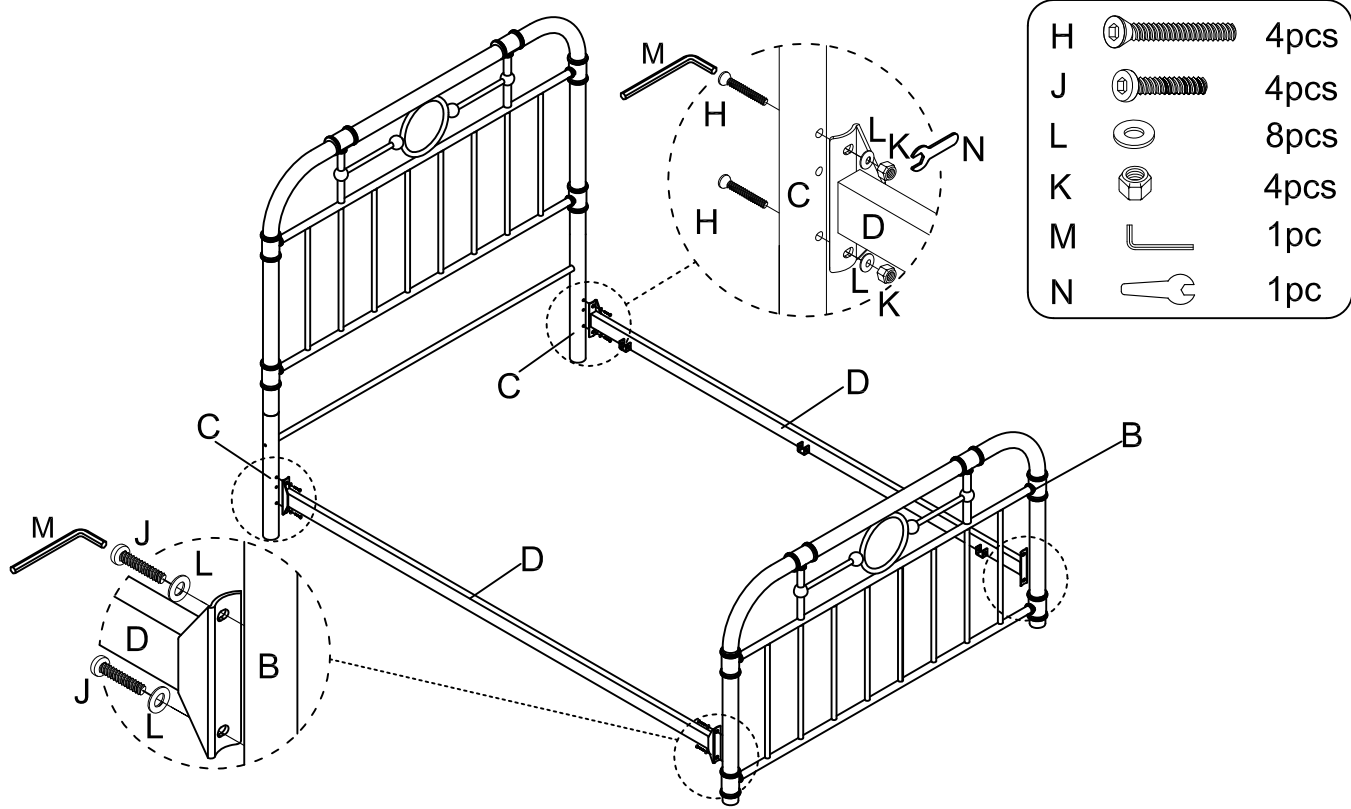


2 Assemble the headboard (A) to the extension leg (C) with 4pcs bolts (J), then fastened using allen wrench (M).

- J  4pcs
- M  1pc

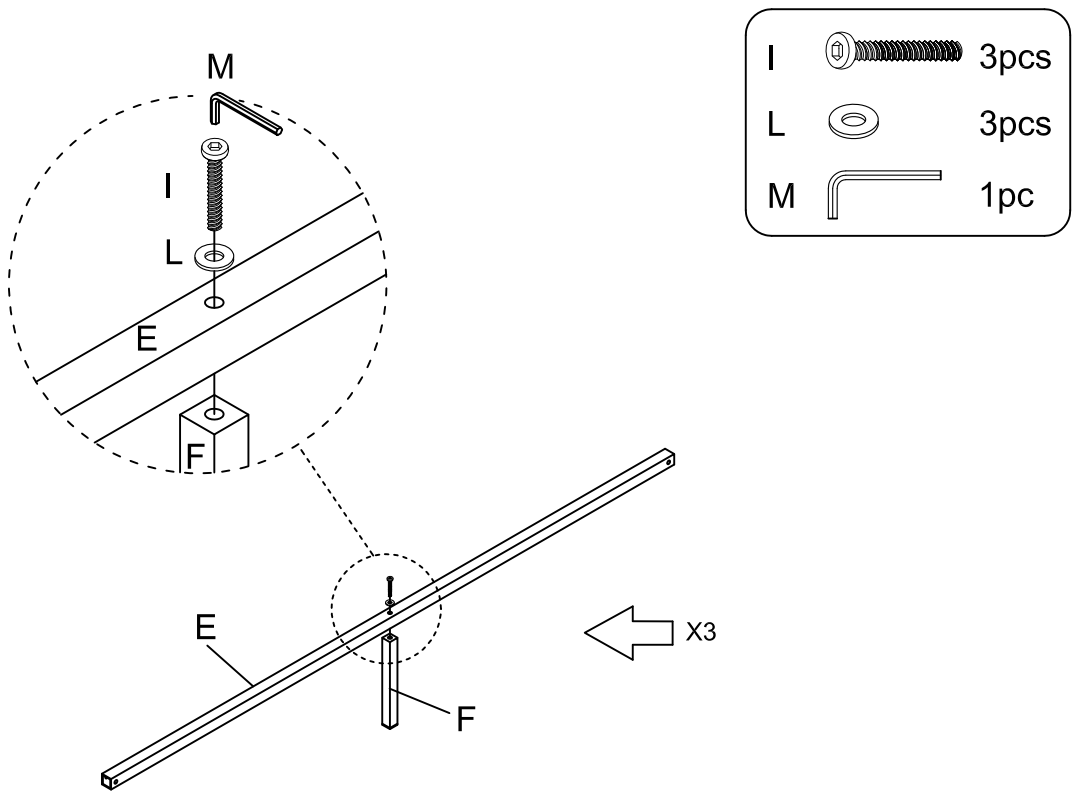


3 Assemble the side rail (D) to the extension leg (C) and the footboard (B) with 4pcs bolts (H), 4pcs bolts (J), 8pcs flat washer (L) and 4pcs nuts (K), then fastened using allen wrench (M) and wrench (N).



- | | | |
|---|--|------|
| H | | 4pcs |
| J | | 4pcs |
| L | | 8pcs |
| K | | 4pcs |
| M | | 1pc |
| N | | 1pc |

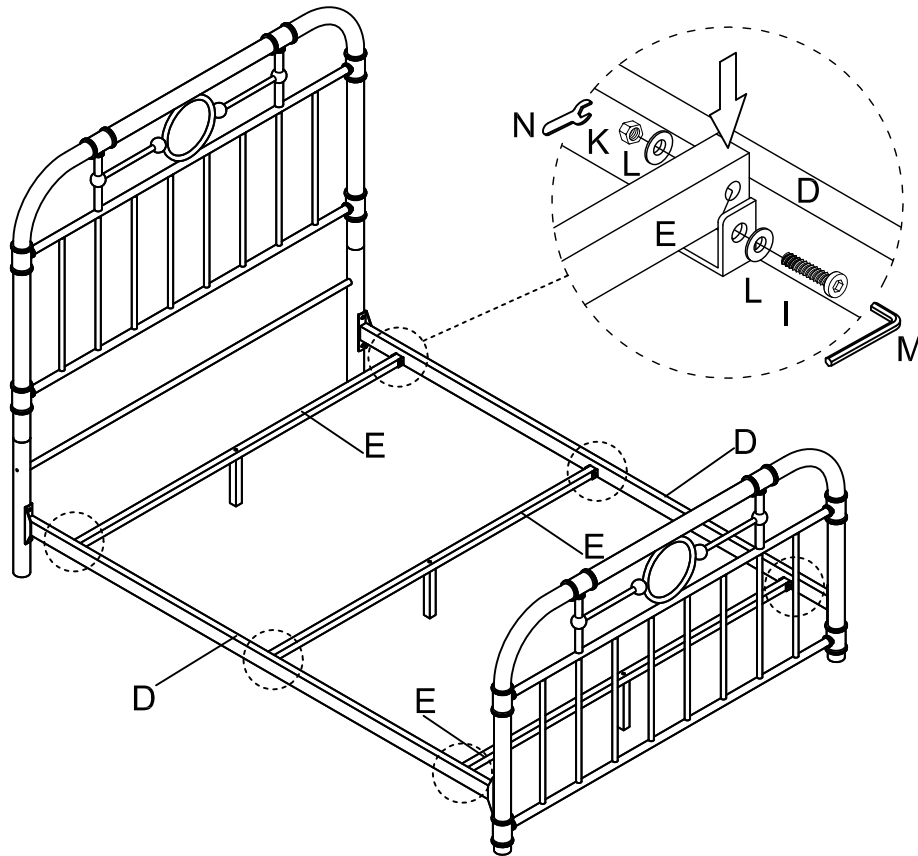
4 Assemble the support leg (F) to the slat (E) with 1pc bolt (I) and 1pc flat washer (L) for each support leg (F), then fastened using allen wrench (M).





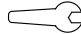


- | | | |
|---|--|------|
| I | | 3pcs |
| L | | 3pcs |
| M | | 1pc |

5

Assemble the slat (E) to the side rail (D) with 1pc bolt (I), 2pcs flat washer (L) and 1pc nut (K) for each end of slat (E), then fastened using allen wrench (M) and wrench (N).



I		6pcs
L		12pcs
K		6pcs
M		1pc
N		1pc

WARNINGS:

- Use only mattress which is 74"-75" long and 53"-54" wide.
- Do not allow horseplay or under the bed and prohibit jumping on the bed.
- Periodically check and ensure that all the components are in their proper position, free from damage, and that all connectors are tight.
- Do not use substitute parts, contact the store for replacement part.
- Maximum total weight is not to exceed 600 lbs.

- **Keep these instructions for future reference.**

Cleaning & Care

Treat surface with care. Surface is resistant to scratches but is not scratch resistant. Clean surfaces with a dry or damp soft cloth. Do not use abrasive cleaners. Hardware may loosen over time. Periodically check that all connections are tight.