

# KALLISTA®

## Pure Paletta® by Laura Kirar Wall-Mount Sink Faucet, Lever Handles P24911-LV

### Features

- High-quality solid-brass construction for durability and reliability
- Three-hole installation
- Required rough-in sold separately
- 1.2 gpm (4.5 lpm) maximum flow rate
- Spout reach is 6-1/8" (156 mm)
- Includes soft-touch drain
- Laminar flow

### Required Products/Accessories

P29304-00 Rough-In

### Adapters, Rough-in and Extension Kits

P29304-00

Range: 1-3/8" (35 mm) -  
2-5/8" (67 mm)

### Recommended Products/Accessories

P24905-LV Sink Faucet, Tall Spout, Lever Handles  
P25337-00 Towel ring  
P24946-00 Hook



**ADA**

**CSA B651**

**OBC**

### Codes/Standards

ASME A112.18.1/CSA B125.1  
NSF/ANSI/CAN 61  
NSF/ANSI/CAN 372  
DOE - Energy Policy Act 1992  
EPA WaterSense®  
California Energy Commission (CEC)  
ADA  
ICC/ANSI A117.1  
CSA B651  
OBC

### KALLISTA® One-Year Limited Warranty

See website for detailed warranty  
information.

### Available Colors/Finishes

*Color tiles intended for reference only.*

Color	Code	Description
	CP	Polished Chrome
	BAF	Brushed French Gold
	BN	Brushed Nickel
	SN	Polished Nickel

1-888-4-KALLISTA (1-888-452-5547)

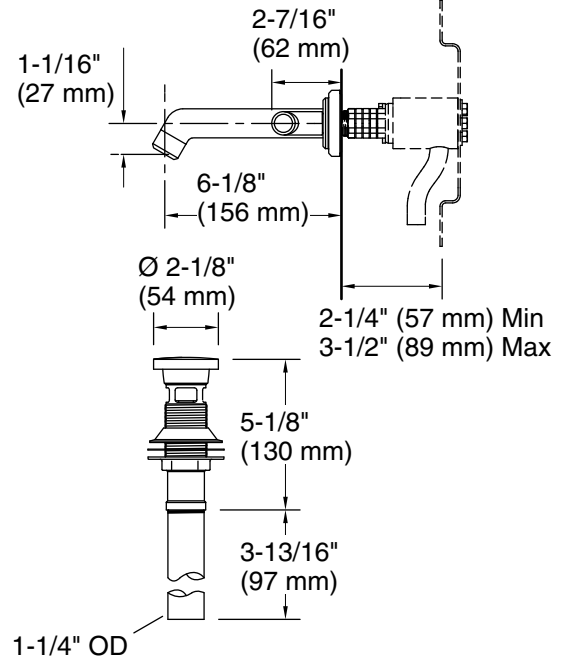
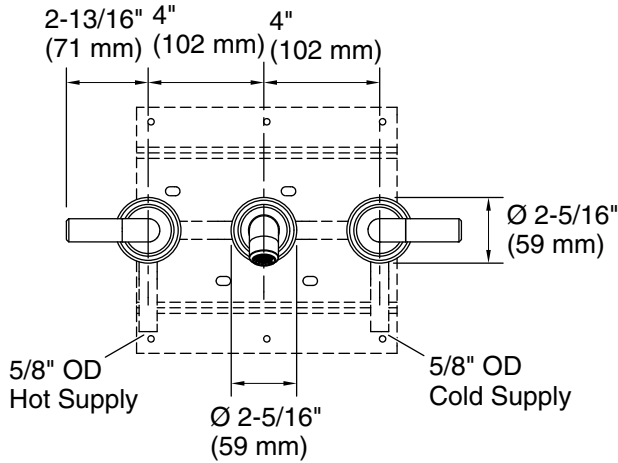
Kallista reserves the right to make revisions without notice to product specifications.

For the most current Specification Sheet, go to [www.kallista.com](http://www.kallista.com).

1-26-2026 20:49 - US/CA

# KALLISTA®

## Pure Palette® by Laura Kirar Wall-Mount Sink Faucet, Lever Handles P24911-LV



### Technical Information

All product dimensions are nominal.

Faucet flow rate: 1.2 gal/min (4.5 l/min)

Drain included: Yes

Drain with overflow: Yes

### Spout:

Spout reach: 6-1/8" (156 mm)

### Notes

Install this product according to the installation instructions.

ADA, OBC, CSA B651 compliant when installed to the specific requirements of these regulations.