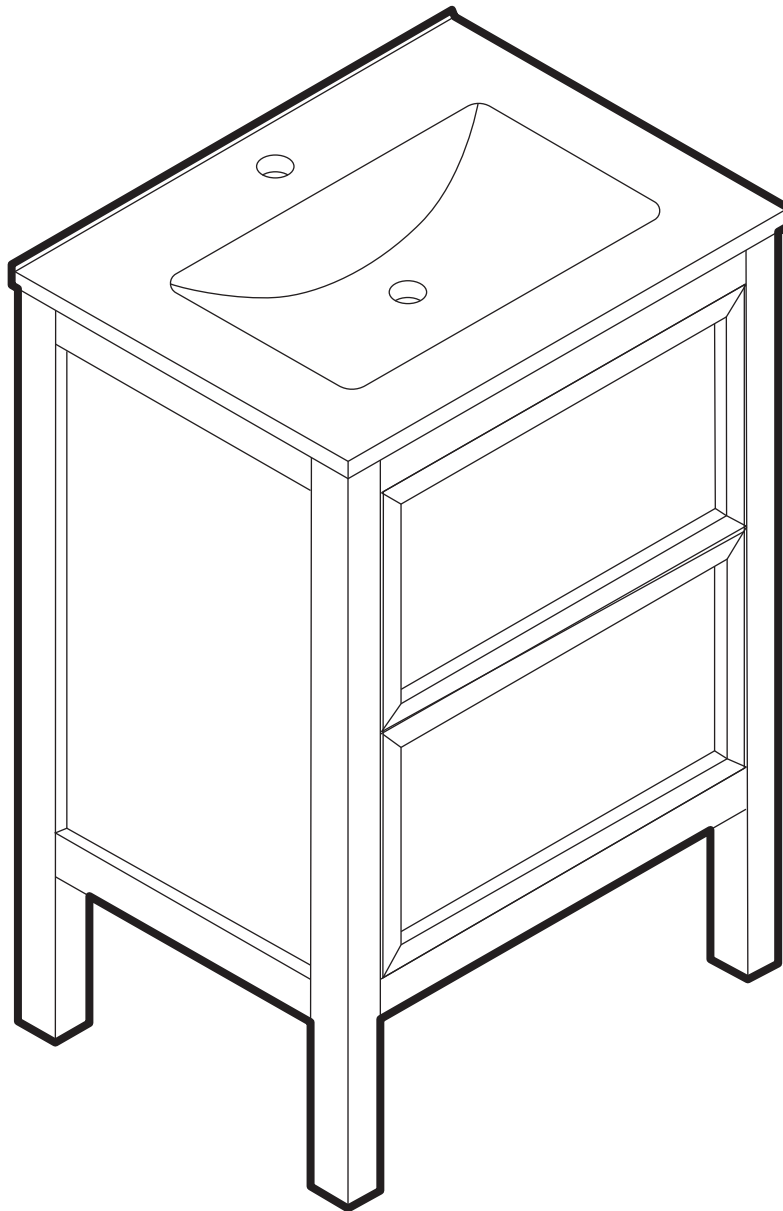


Freestanding Vanity

INSTALLATION INSTRUCTIONS





PRIOR TO INSTALLATION:

- Inspect product to ensure no damages have occurred while in shipping.
- Observe all plumbing and building codes in accordance with your state and local requirements.
- Floor must be level prior to installation of vanity.
- All dimensions are nominal! Be sure to measure your vanity prior to installation.
- The step-by-step guidelines in the installation instructions are a general reference. Should there be any discrepancies, Swiss Madison cannot be held liable. It is recommended to install all Swiss Madison products by hiring a licensed professional.
- Read installation and maintenance instructions thoroughly before installing. Be sure to use proper tools and always wear proper personal safety accessories for your protection.

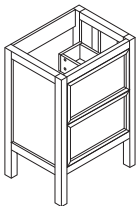
QUESTIONS OR CONCERNS?

Please contact us:

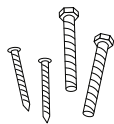
1-434-623-4766

info@swissmadison.com

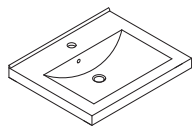
INCLUDED PARTS:



Vanity Base



Hardware



Vanity Sink

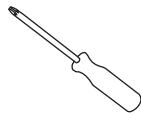
SUGGESTED TOOLS & MATERIALS:



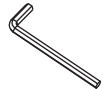
Safety Glasses



Gloves



Screwdrivers



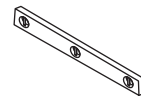
Allen Wrench



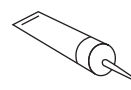
Silicone



Drop Cloth



Level



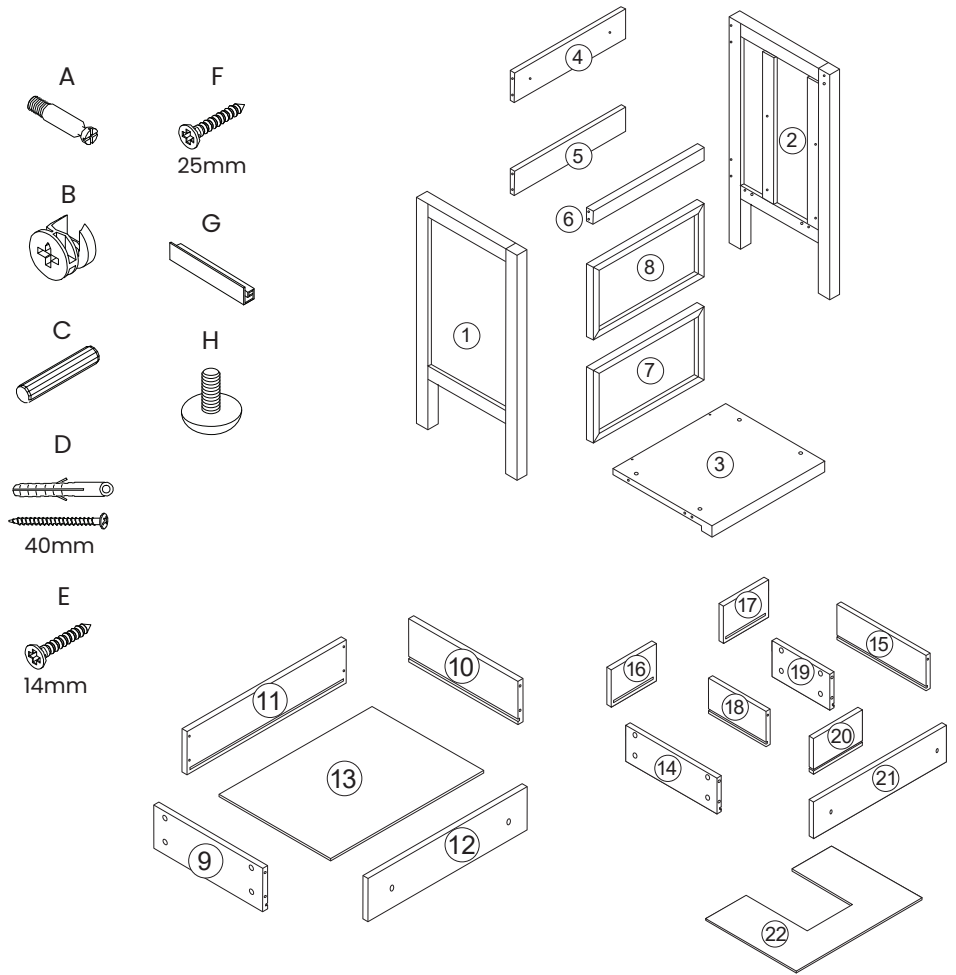
Adhesive



Drill

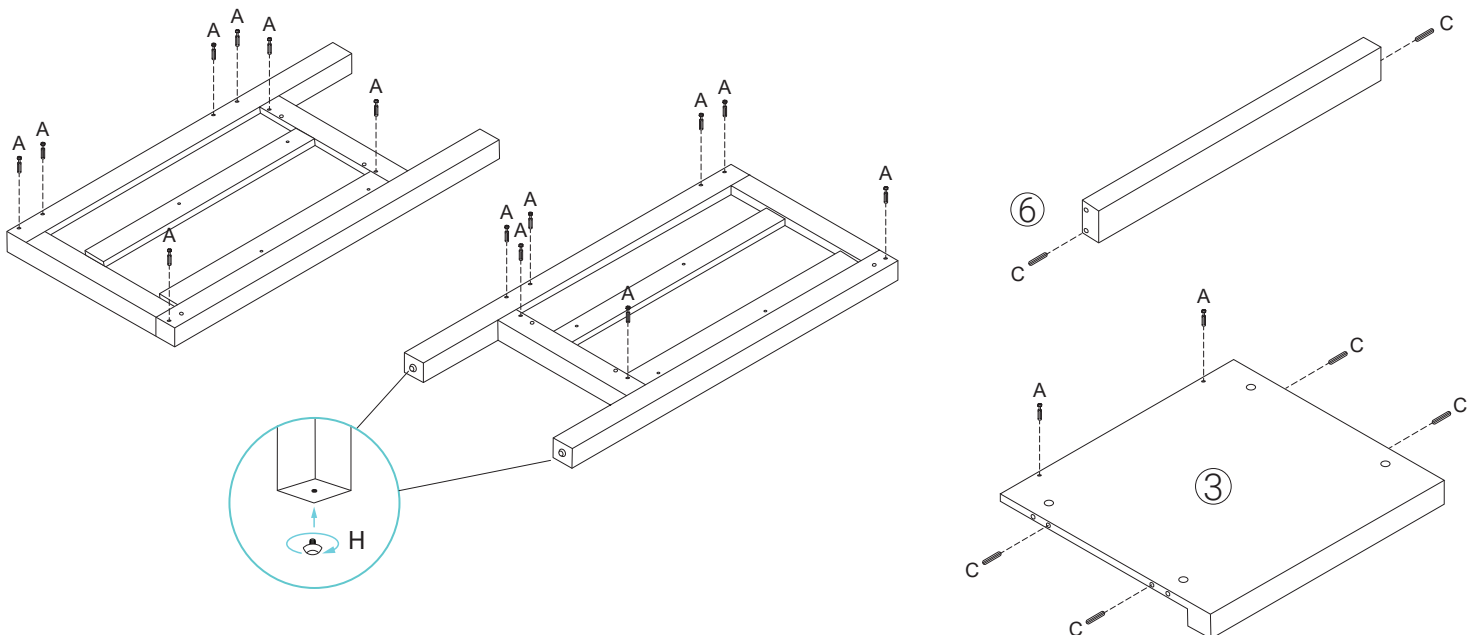
Parts for Reference:

1. Left side panel
 2. Right side panel
 3. Bottom panel
 4. Rear top bar
 5. Rear bottom bar
 6. Front top bar
 7. Bottom drawer surface
 8. Top drawer surface
 9. Bottom drawer left side panel
 10. Bottom drawer right side panel
 11. Bottom drawer back panel
 12. Bottom drawer front panel
 13. Bottom drawer bottom panel
 14. Top drawer left side panel
 15. Top drawer right side panel
 16. Top drawer back left panel
 17. Top drawer back right panel
 18. Top drawer middle left panel
 19. Top drawer middle right panel
 20. Top drawer middle front panel
 21. Top drawer front panel
 22. Top drawer bottom panel
- A. Cam bolt
 B. Cam lock
 C. Wooden dowel
 D. Screw (40mm) & plastic anchor
 E. Screw (14mm)
 F. Screw for drawer (25mm)
 G. Undermount slide
 H. Adjustable feet



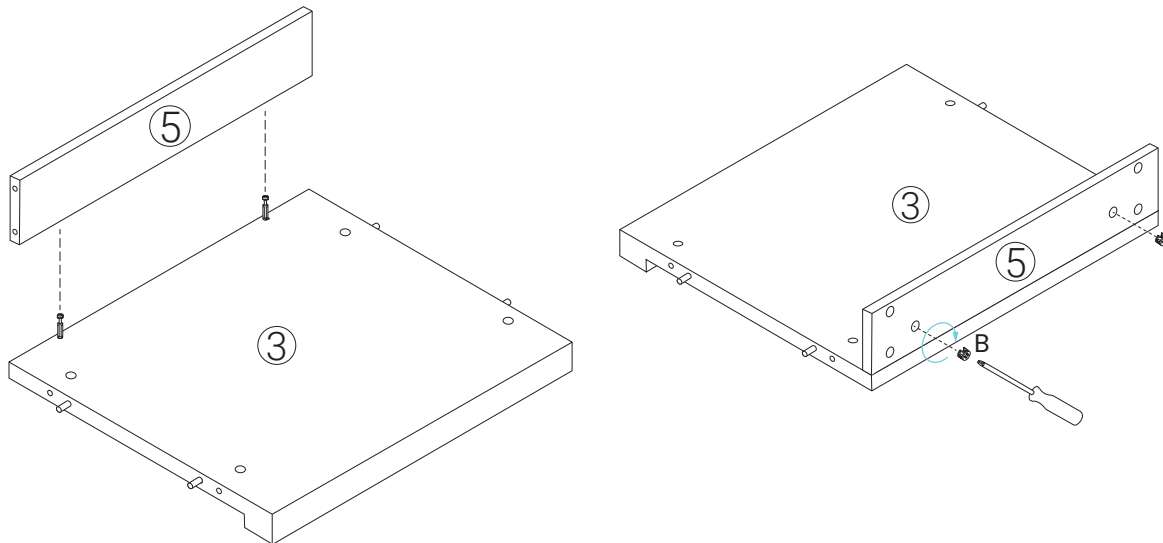
1 Install Side Panel Slides

- Screw 7 cam bolts (A) and 2 Adjustable feet (H) into the left side panel(1).Repeat for the right side pane1(2)
- Insert 2 cam bolts (A) and 4 wooden dowels (C) into the bottom panel (3).
- Insert 2 wooden dowels (C) into the front top bar (6)



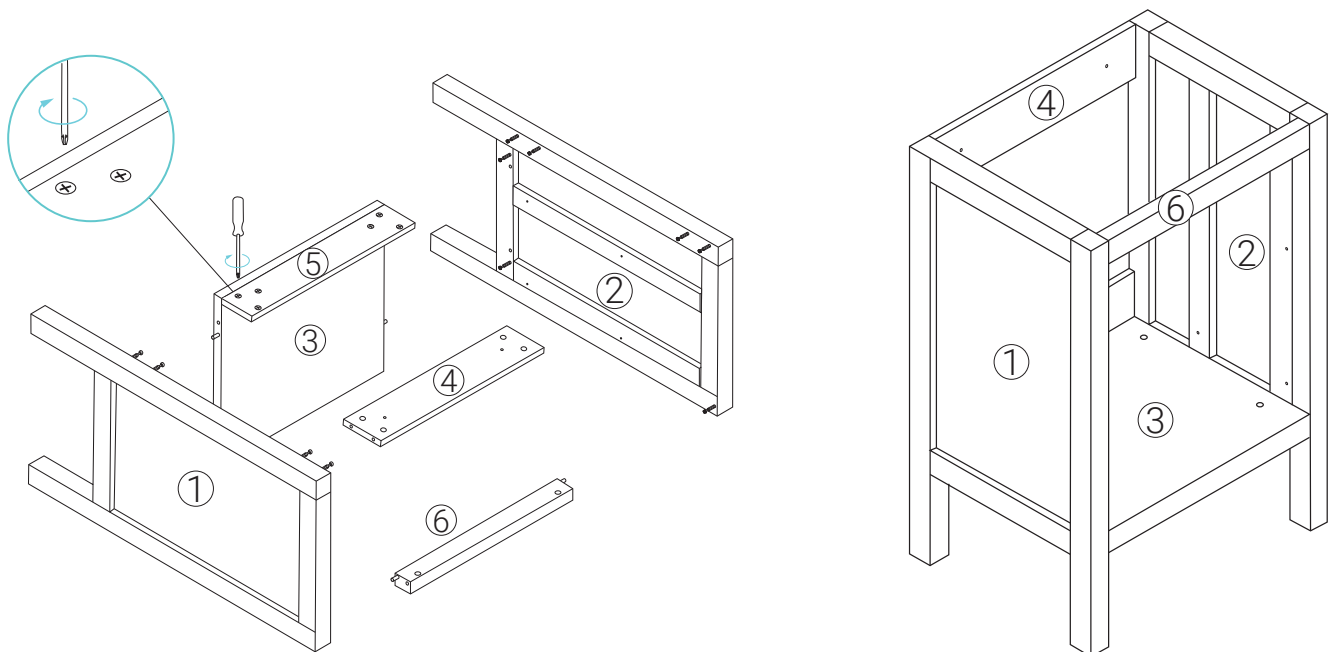
2 Assemble Bottom Panel

- Connect the rear bottom bar (5) to the bottom panel (3). Use 2 cam locks (B) to secure in the place.



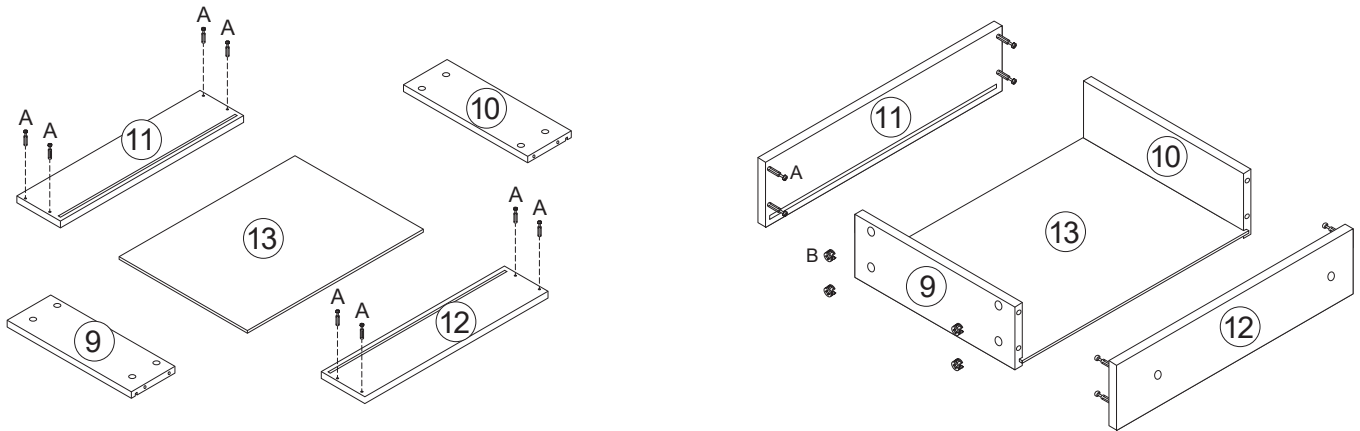
3 Assemble Base

- Attach the bottom panel to the left side panel (1) and secure using 4 cam locks (B)
- Attach the rear top bar (4) to the left side panel (1) and secure using 2 cam locks (B)
- Attach the front top bar (6) to the left side panel (1) and secure using 1 cam locks (B)
- Repeat the process to the right side panel (2) using an additional 7 cam locks (B)



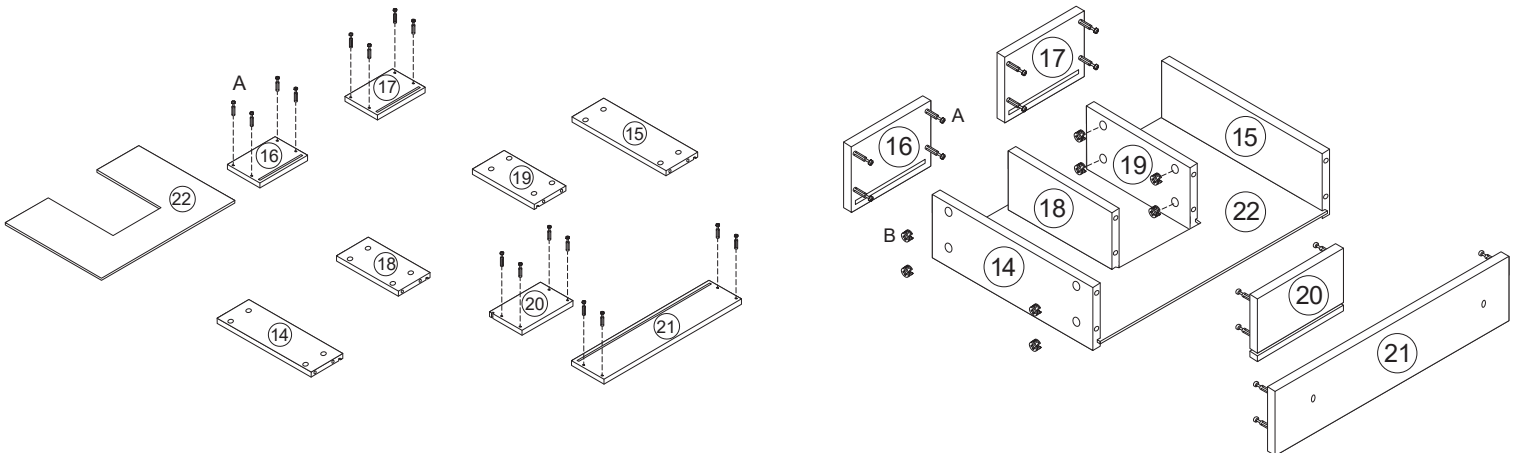
4 Assemble Bottom Drawer Box

- Screw 4 cam bolts (A) into the drawer back panel (11).
- Insert drawer bottom panel (13).
- Screw 4 cam bolts (A) into the drawer front panel (12).
- Use 8 cam locks (B) to connect and secure all panels in place as shown.
- Add 2 wooden dowels to the panel (12).



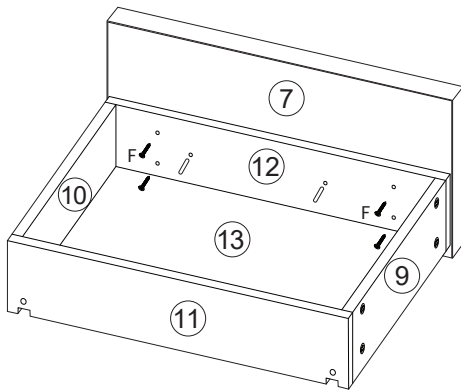
5 Assemble Top Drawer Box

- Screw 4 cam bolts (A) each into the drawer back left panel (16) & drawer back right panel (17).
- Screw 4 cam bolts (A) into the drawer middle front panel (20).
- Insert drawer bottom panel (22).
- Screw 4 cam bolts (A) into the drawer front panel (21).
- Use 16 cam locks (B) to connect and secure all panels in place as shown.
- Add 2 wooden dowels to the panel (21).



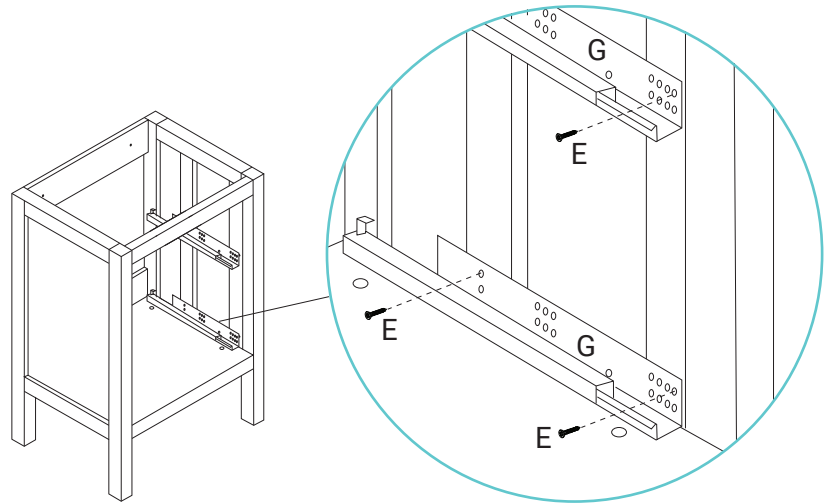
6 Install Drawer Surface

- Attach the drawer front panel (12) to the drawer surface (7) with 4 screws (F) as shown.
- Repeat the process for the top drawer by connecting the top drawer front panel (21) to the top drawer surface (8) using 4 screws (F).
- Add 2 wooden dowels to the panel (7) and connect to the panel (12).



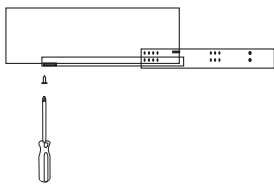
7 Install Slides

- Install 2 undermount slides (G) to the side panel (1) and (2) using 2 screws (E) each per slide.



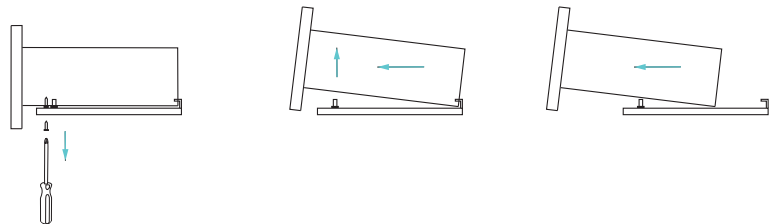
8 Install Drawer Box

- Insert the drawer box and hook the slides (G).
- Tighten the 2 screws (E) each on the bottom of the drawer box to secure the slides (G).
- Repeat entire process for the middle drawers (8).

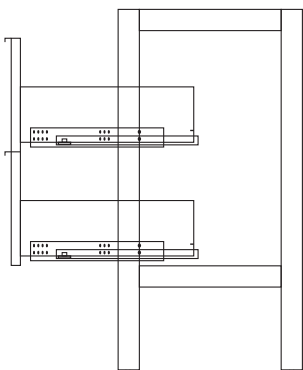
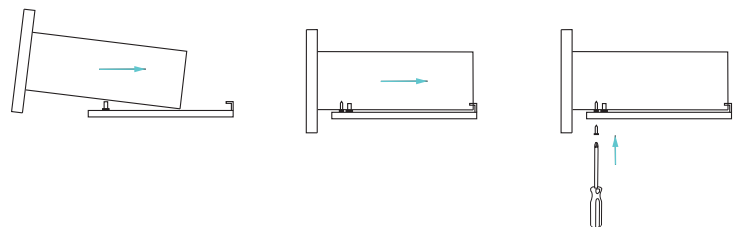


Drawer Removal (if applicable)

1.Remove

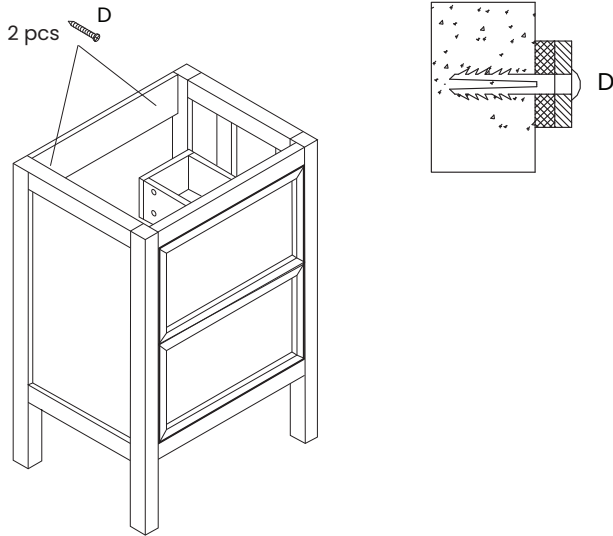


2.Install



9 Secure Vanity to Wall

- Attach 2 screws (D) to the rear top bar (4).
- Mark desired mounting location on wall and ensure placement is level.



Option 1: Securing to Drywall

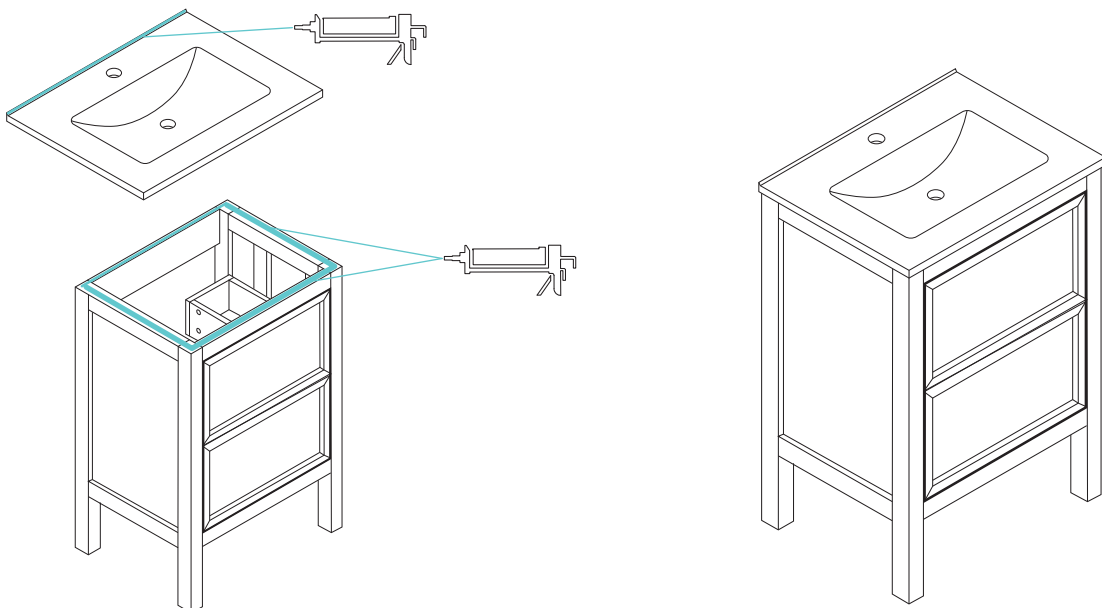
- Position cabinet against wall in desired location.
- Using a pencil, make a mark on the wall through the holes in each bracket.
- Move cabinet away from the wall. Create a pilot hole in each mark on the wall, then insert the plastic anchor.
- Place cabinet against the wall, insert a screw through the metal bracket into each hole in the wall, then tighten to plastic anchors to secure the vanity.

Option 2: Securing to Drywall & Wood Stud

- Position cabinet against wall in desired location, be sure desired mounting location aligns with existing wood studs.
- Insert screw through the holes in the metal bracket, then tighten through the drywall into the wood stud. Repeat this step for the other metal bracket to secure the vanity.

10 Vanity Top Installation

- Install faucet and drain according to manufacturer's installation instructions. Do not overtighten, this may cause the sink to crack.
- Set the vanity top on top of the vanity base, checking the location of the p-trap and drain.
- Remove vanity top from vanity base. Apply a thin bead of silicone around the vanity base and set the vanity top carefully in place.
- Remove excess silicone with a wet cloth.



Wait 24 hours
before use.



ONE-YEAR LIMITED WARRANTY

Swiss Madison® products are made with quality materials and excellent craftsmanship to provide our customers with beautiful, durable, long-lasting products. Should there be any defects in materials or craftsmanship under regular use that are discovered within the first year after delivery, Swiss Madison® will provide replacement parts at no charge, or at its discretion, replace any product or part of the product that is deemed defective, under normal installation, use, service or maintenance. This warranty applies only to the original purchaser. Proof of purchase must be submitted with any warranty claim.

Swiss Madison® recommends that all installations of Swiss Madison® products to be conducted by a licensed plumber or contractor. Swiss Madison® will not be held responsible for any damage or product failure due to improper installation, misuse, or failure to utilize a licensed plumber or contractor for installation. Swiss Madison® is not responsible for any installation or removal costs.

THIS ONE-YEAR LIMITED WARRANTY WILL BE VOIDED IF:

- The installation instructions were not followed by the installer
- The product has been moved from its initial place of installation
- The product has in any way been modified from its original condition
- The product has been subjected to improper maintenance, abuse, misuse, excessive use of chemicals, accidents, or other damages

Swiss Madison® makes no warranty that its products comply with any local building or plumbing codes. It is the consumer's responsibility and obligation to determine local code compliance prior to and during installation.

Swiss Madison® is not responsible for any special, incidental or consequential damages associated with the installation, replacement, return or use of the original purchaser's product. This includes, but is not limited to: freight costs, labor, travel time, lost profit, home damages and other contingent liabilities and costs (including, without limitation, costs associated with 'professionals' or 'experts', investigations, audits, analyses, attorneys and any other professional/hired services). Some states do not allow the exclusion or limitation of incidental or consequential damages, so the above limitation or exclusion may not apply to you.

The Swiss Madison® warranty is a comprehensive and explicit limit of liability. All other warranties are hereby disclaimed and waived.

QUESTIONS OR CONCERNS? Please contact us directly at: 1-434-MADISON (623-4766)



WARNING:

Contents of your order may contain sharp and possibly other harmful pieces and may cause hazard to children and adults. Swiss Madison® is not responsible in any way for personal injuries or damages.