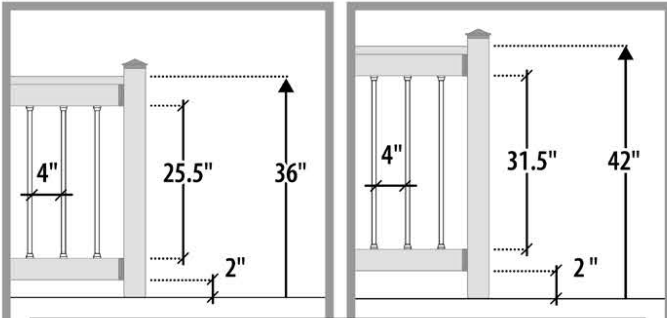
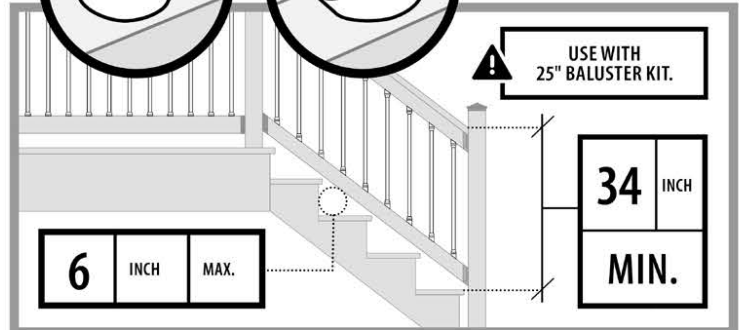
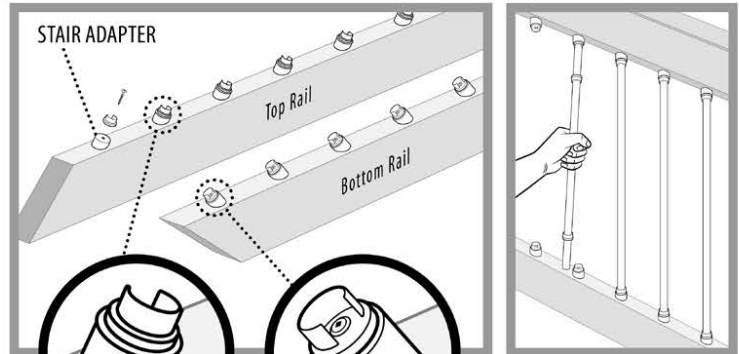
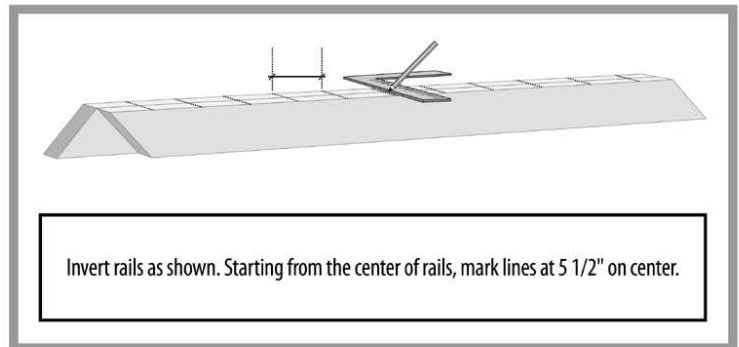
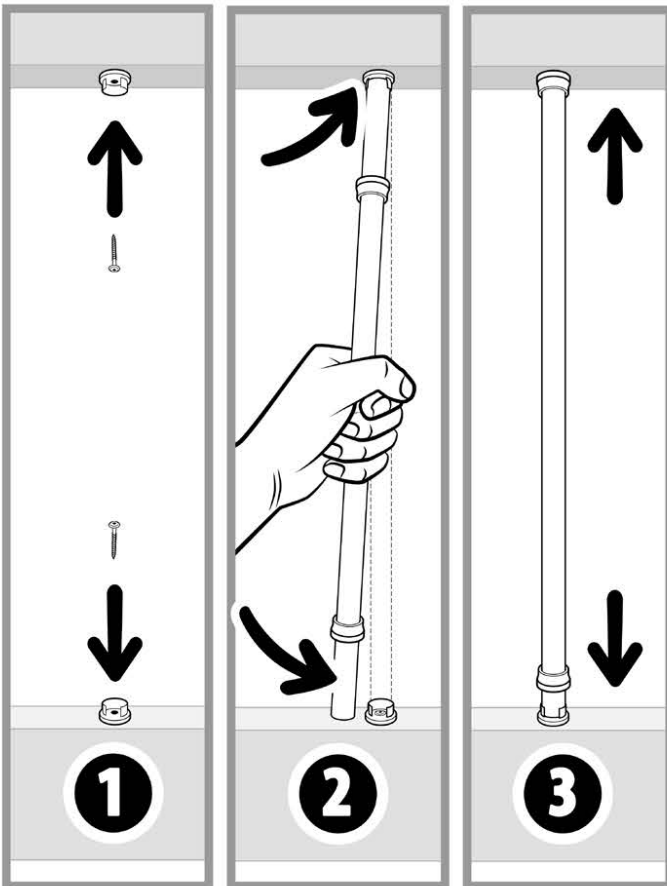
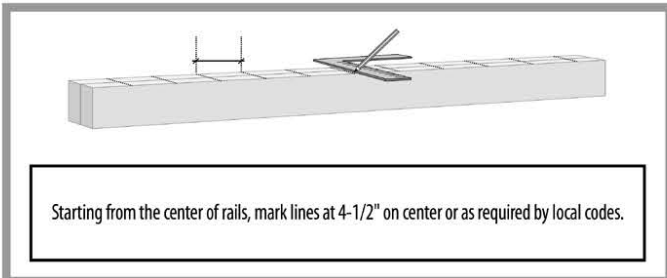


SNAP-N-LOCK[®] BALUSTER KIT

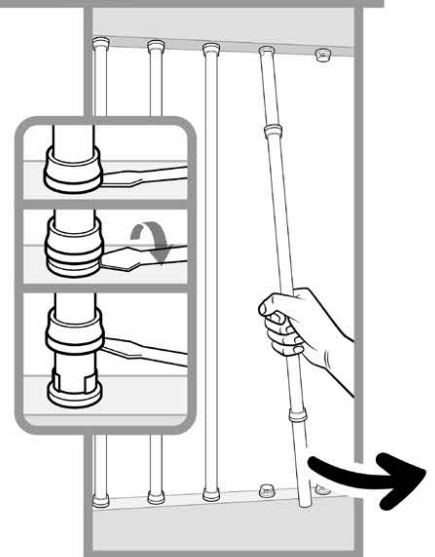
ROUND



Maximum allowable Gap and space between Balusters is 4."



**ADD COLLARS,
REPLACE WOOD
BALUSTERS OR RE-
STAIN RAILINGS,
QUICKLY, ANYTIME
WITH NO MESS
OR RAILS TO
DISMANTLE.**



T 1-866-577-8868

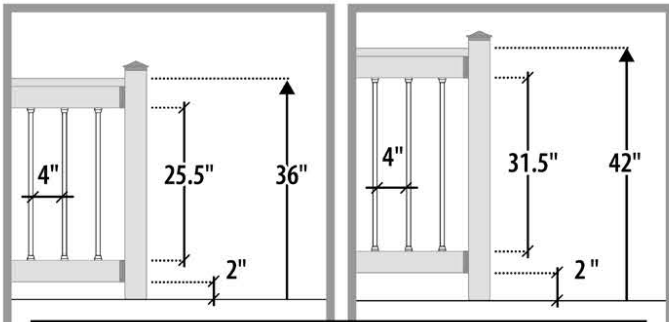
TITAN BUILDING PRODUCTS[®]
THE ART OF BUILDING
More Outdoor Beauty... Real easy.



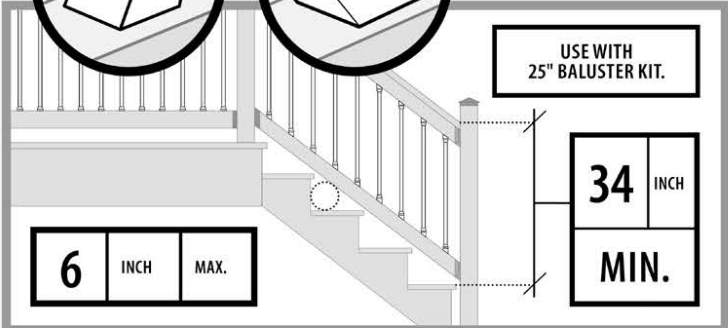
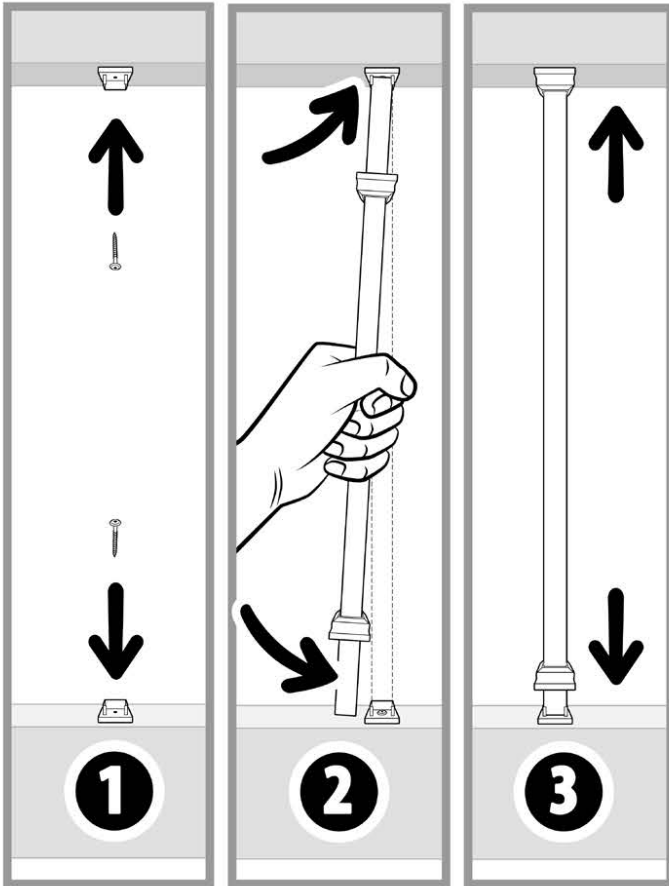
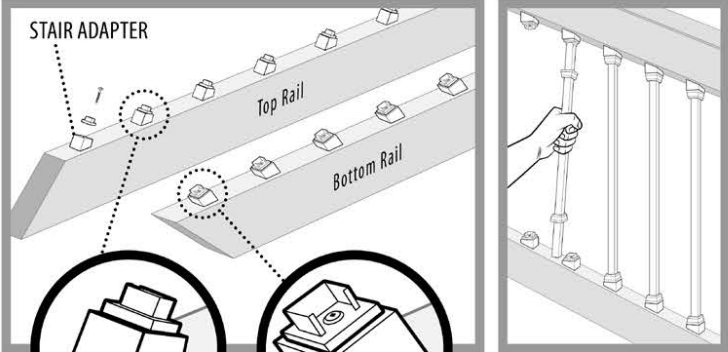
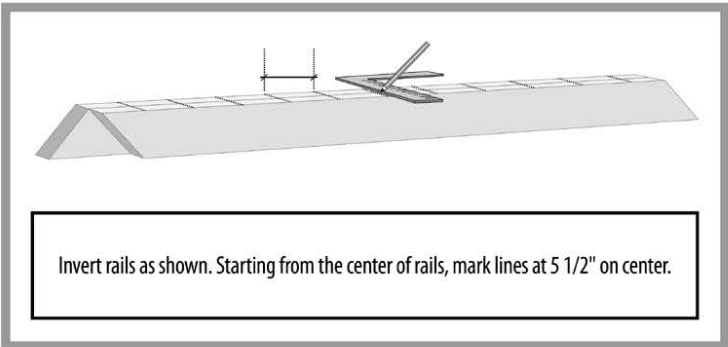
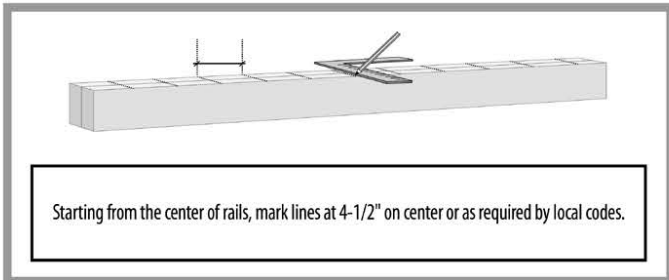
www.titanbp.com

SNAP-N-LOCK® BALUSTER KIT

SQUARE



Maximum allowable Gap and space between Balusters is 4."



**ADD COLLARS,
REPLACE WOOD
BALUSTERS OR RE-
STAIN RAILINGS,
QUICKLY, ANYTIME
WITH NO MESS
OR RAILS TO
DISMANTLE.**

