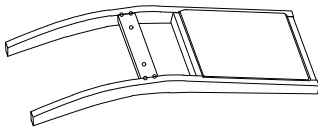
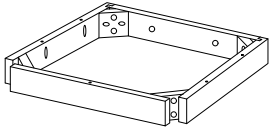
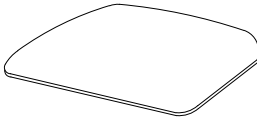

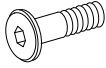
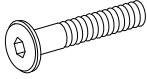
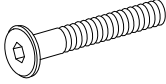


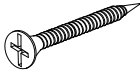

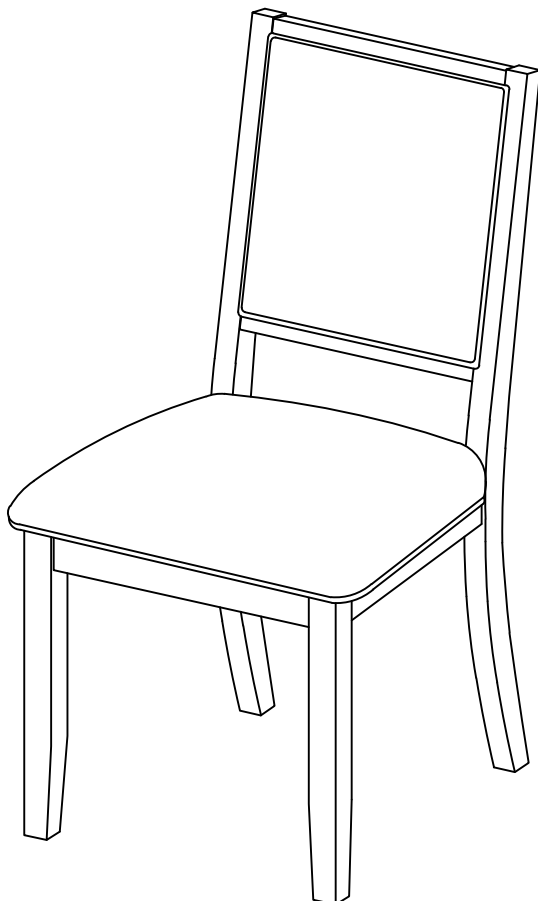


# ASSEMBLY INSTRUCTIONS

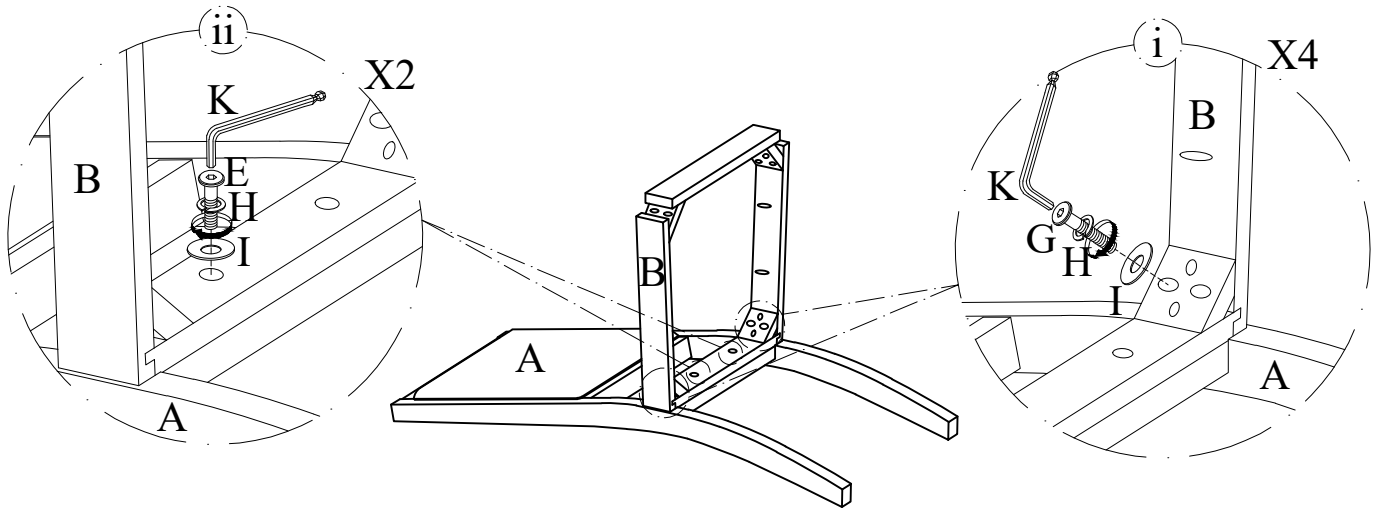
## DINING CHAIR

<b>A</b> Chair Back 	<b>B</b> Seat Frame 	<b>C</b> Seat Cushion 	<b>D</b> Front Leg 
1 PC	1 PC	1 PC	2 PCS
<b>E</b> JCBC Bolt M6 x 40mm 	<b>F</b> JCBC Bolt M6 x 60mm 	<b>G</b> JCBC Bolt M6 x 70mm 	<b>H</b> Lock Washer M6 
2 PCS	4 PCS	4 PCS	10 PCS
<b>I</b> Flat Washer M6 	<b>J</b> CSK Screw M4 x 25mm 	<b>K</b> Allen Wrench M4 x 100mm 	
10 PCS	5 PCS	1 PC	



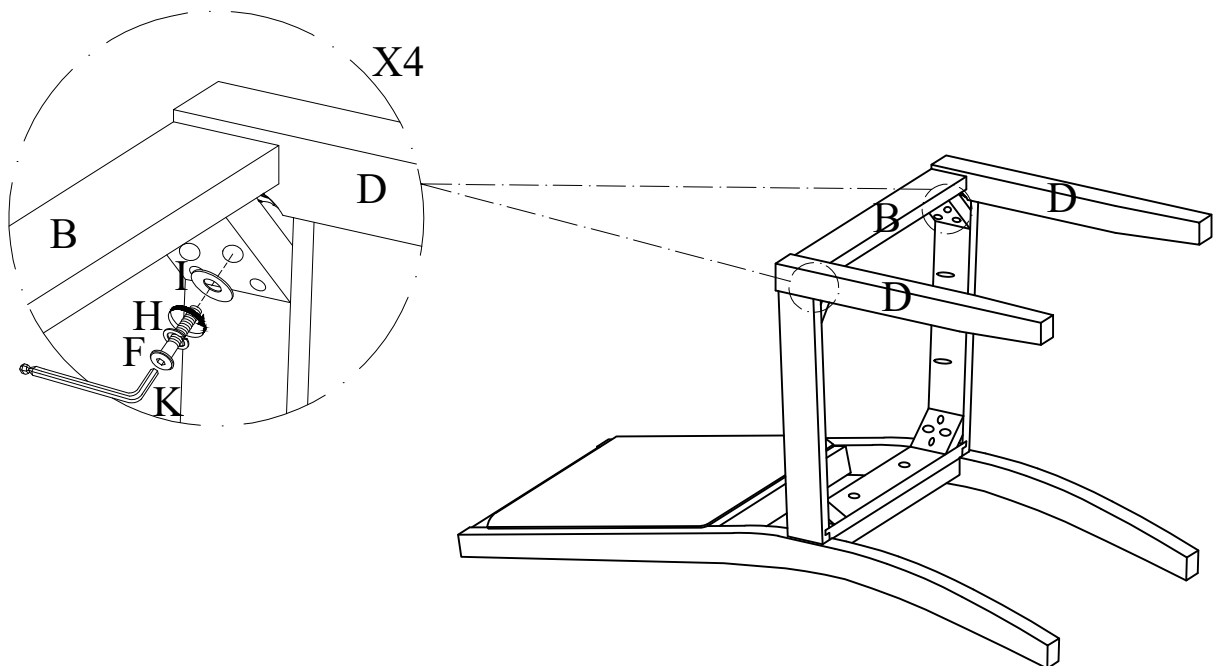
This page lists all the contents included in the box. Please take the time to identify the hardware as well as the individual components to this product. As you unpack and prepare for assembly, place the contents on a carpeted or padded area to protect them from damage.

- 
- 1** Place the Chair Back (A) on a soft surface and attach Seat Frame (B).
- (i) Insert JCBC Bolt (G), Lock Washer (H) and Flat Washer (I) into the corner holes and tighten with the Allen Wrench (K).
  - (ii) Then, insert JCBC Bolt (E), Lock Washer (H) and Flat Washer (I) into the middle holes and tighten with the Allen Wrench (K).



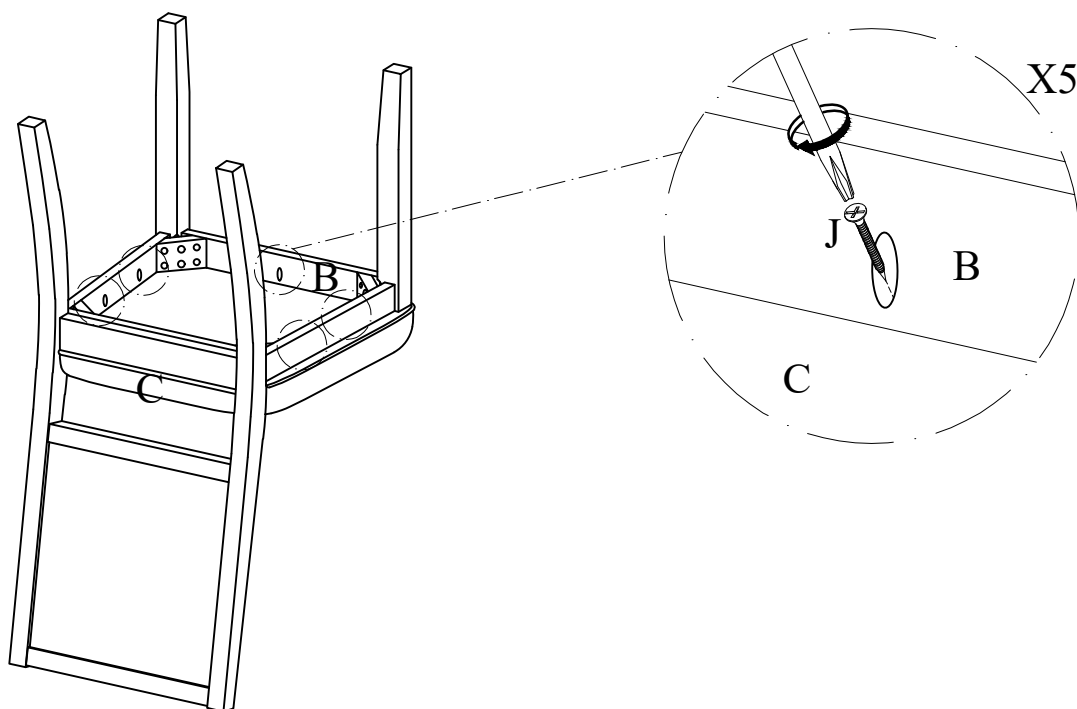
Take the Allen Wrench, and turn the bolts until the legs are secured.  
**DO NOT TIGHTEN COMPLETELY.**  
Stop when you feel you are adding force to tighten the bolt.

- 
- 2** Attach the Front Leg (D) to the front corners of the Seat Frame (B) using JCBC Bolt (F), Lock Washer (H) and Flat Washer (I) with the Allen Wrench (K).

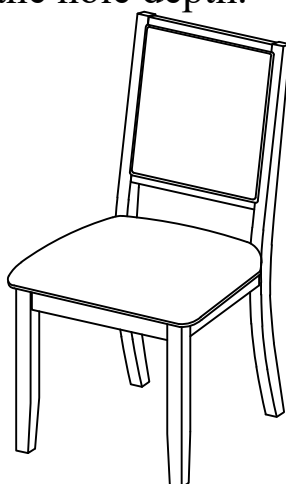


Take the Allen Wrench, and turn the bolts until the legs are secured.  
**DO NOT TIGHTEN COMPLETELY.**  
Stop when you feel you are adding force to tighten the bolt.

- 
- 3** Attach the Seat Cushion (C) to the Seat Frame (B) using CSK Screw (J) with a screwdriver (not provided).



- 
- 4** Stand the chair on an even surface and check for balance. If the chair wobbles slightly, apply downward pressure on the uneven leg and tighten the bolts to correct the imbalance. Once the chair is balanced, apply downward pressure evenly in the center of the chair and tighten all bolts, being careful not to over-tighten beyond the hole depth.



*Helpful Tip: While tightening the bolts from underneath, have someone sit in the chair.*

---

#### Cleaning & Care

Treat surfaces with care. Surfaces are resistant to scratches but are not scratch resistant. Clean surfaces with a dry or damp soft cloth. Do not use abrasive cleaners. Hardware may loosen over time. Periodically check that all connections are tight.