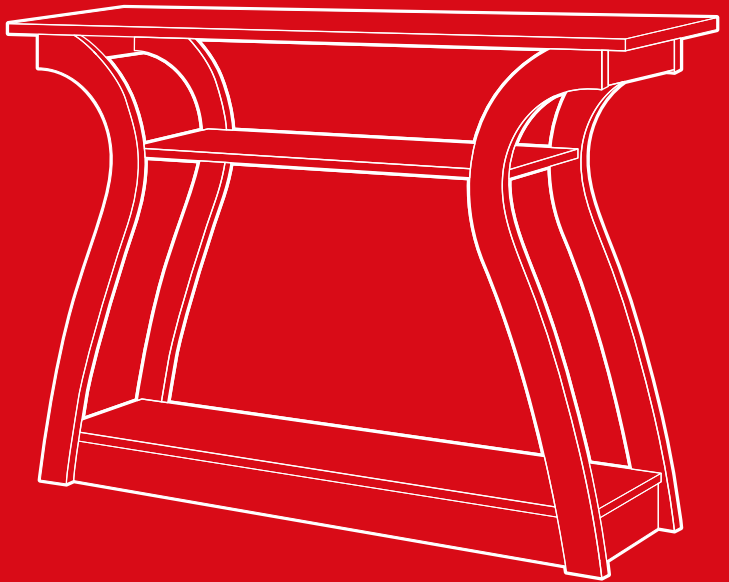




bestchoiceproducts



INSTRUCTION MANUAL

47-Inch 3-Shelf
Console Table

! NOTICE

Please retain these instructions for future reference.

- Please do not exceed the weight limitations of this item.
- Do not stand on or use any part of this item as a step ladder.
- Firmly secure all bolts, screws, and knobs before use.
- Reconfirm that all bolts, screws, and knobs are secure every 90 days.
- Fasten screws loosely during assembly. Do not firmly tighten screws until item is fully assembled.
- If any parts are missing, broken, damaged, or worn, stop using this product until repairs are made and/or factory replacement parts are installed.
- Do not use this item in a way inconsistent with the manufacturer's instructions as this could void the product warranty.

TOOLS REQUIRED



PHILLIPS
SCREWDRIVER



FLAT HEAD
SCREWDRIVER



118 LBS
CAPACITY



1 PERSON
ASSEMBLY

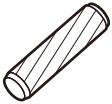


UP TO 30 MIN.
ASSEMBLY

HARDWARE

1

DOWEL



20 PCS

2

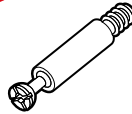
CAM LOCK



34 PCS

3

CAM BOLT



34 PCS

4

CAM COVER

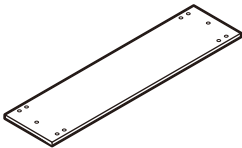


34 PCS

PARTS

A

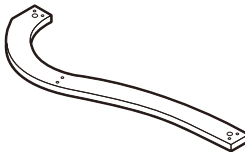
TABLETOP



1 PC

B

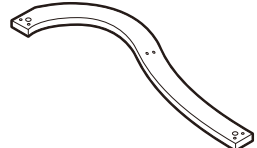
LEG I



2 PCS

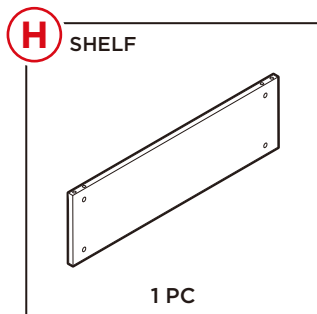
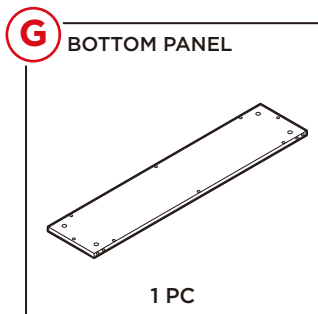
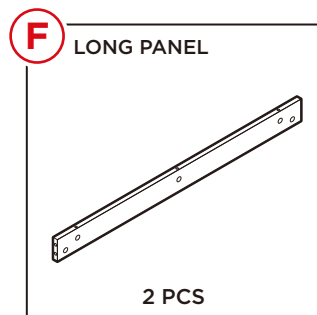
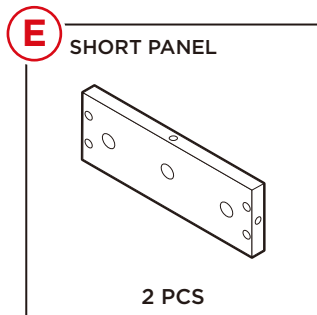
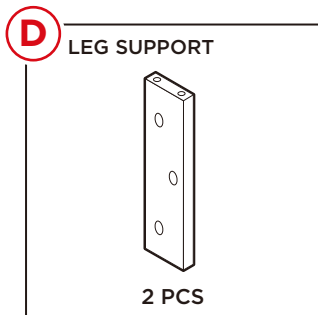
C

LEG II

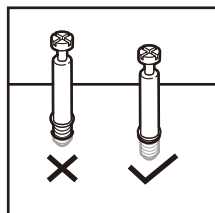


2 PCS

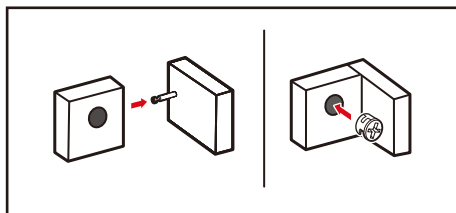
PARTS



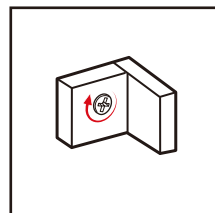
TIGHTENING CAMLOCKS



1. Screw cam bolt in completely.



2. Insert cam bolt and cam lock into designated holes.



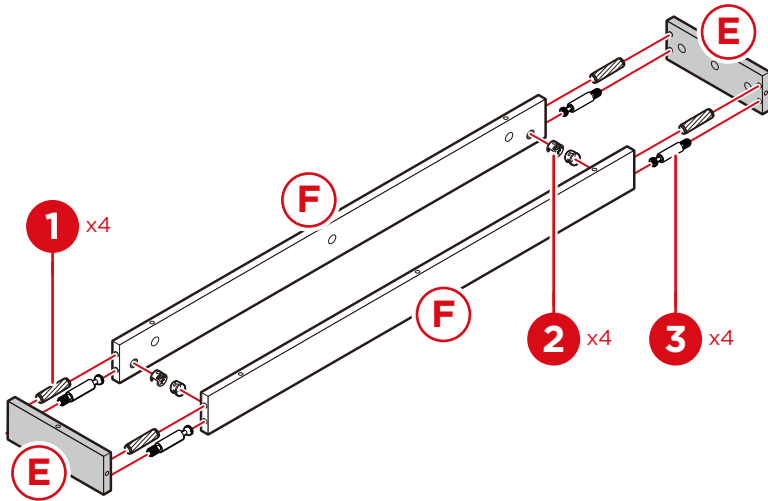
3. Screw cam lock clockwise to secure cam bolt.

PRODUCT ASSEMBLY

1

Screw four part 3 cam bolts into two part E short panels.

Attach the short panels to two part F long panels with four part 1 dowels and four part 2 cam locks.

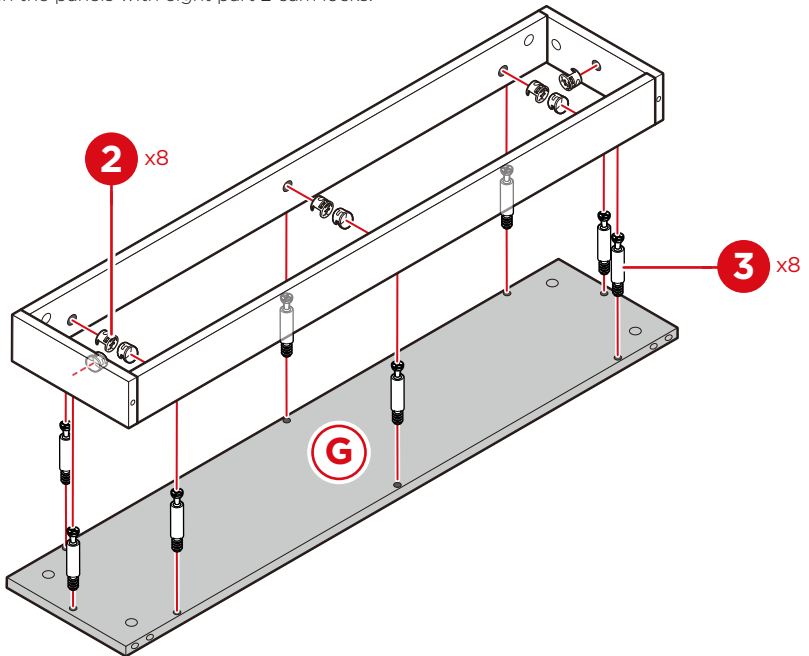


PRODUCT ASSEMBLY

2

Screw eight part 3 cam bolts into part G bottom panel.

Attach the panels with eight part 2 cam locks.

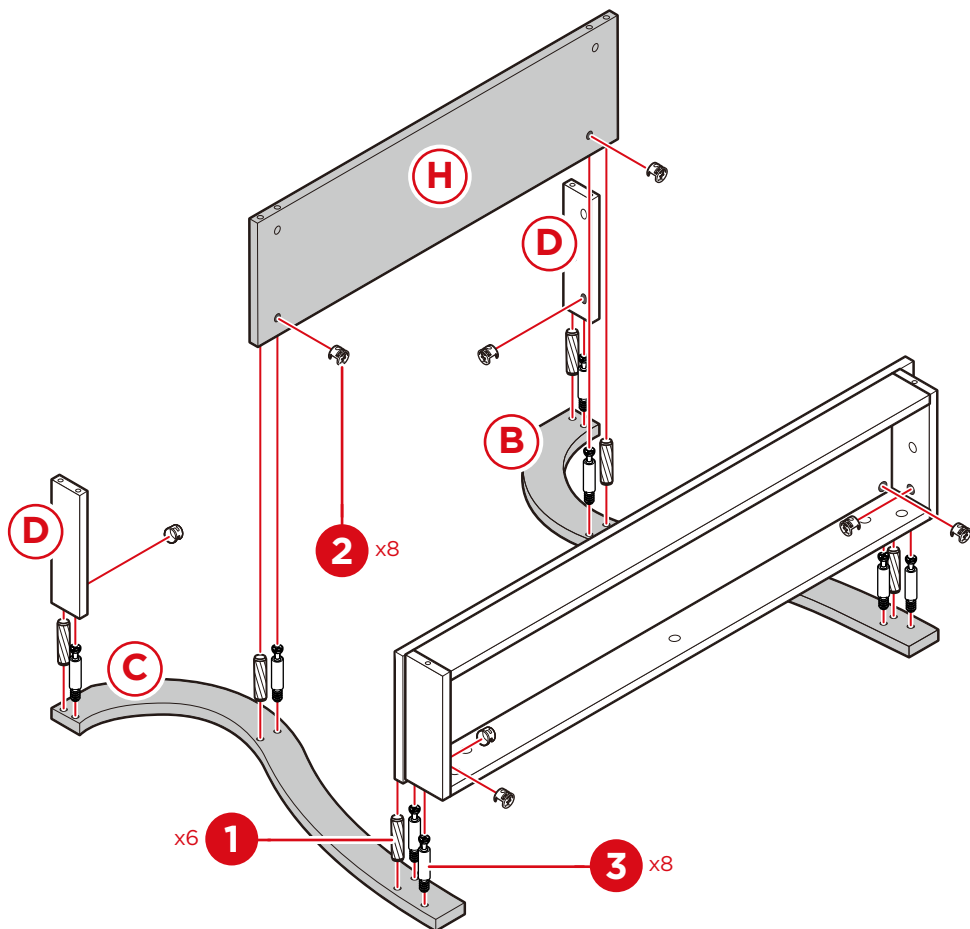


PRODUCT ASSEMBLY

3

Screw eight part 3 cam bolts into part B and part C legs.

Attach two part D leg supports, part H shelf, and the panel assembly with six part 1 dowels and eight part 2 cam locks.



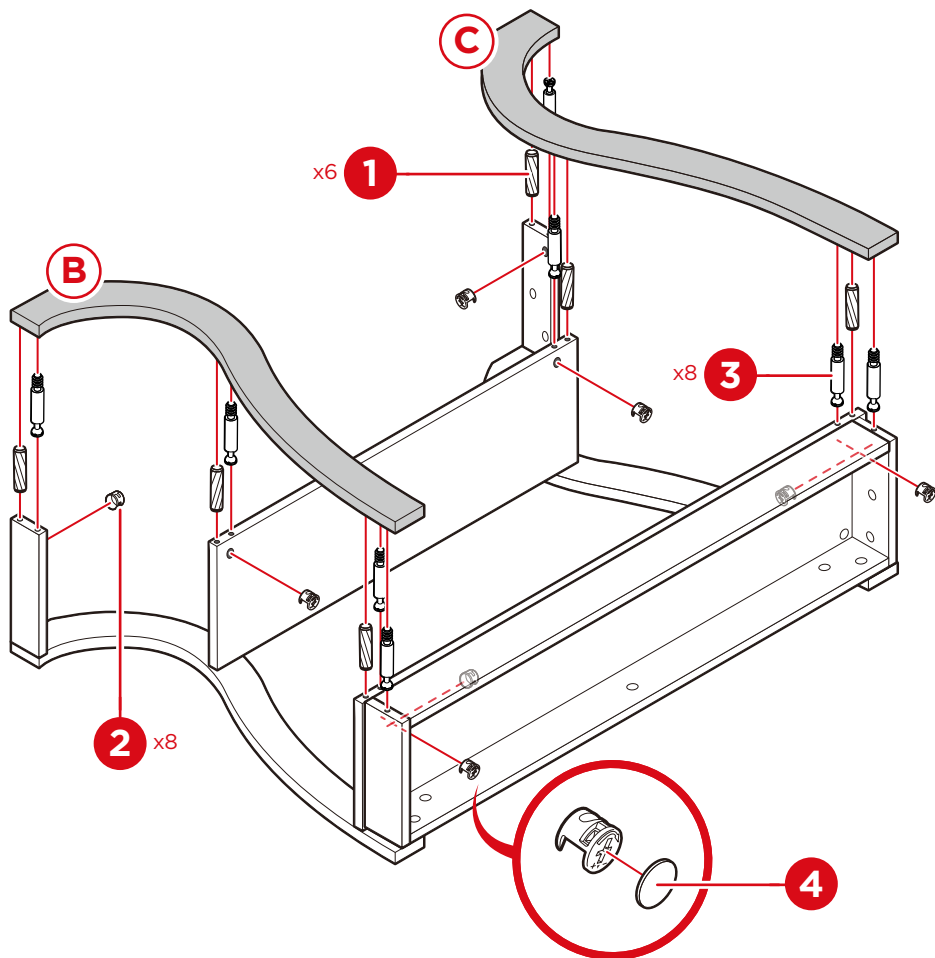
PRODUCT ASSEMBLY

4

Screw eight part 3 cam bolts into part B and part C legs.

Attach the legs with six part 1 dowels and eight part 2 cam locks.

Place a part 4 cam cover over each exposed cam lock.



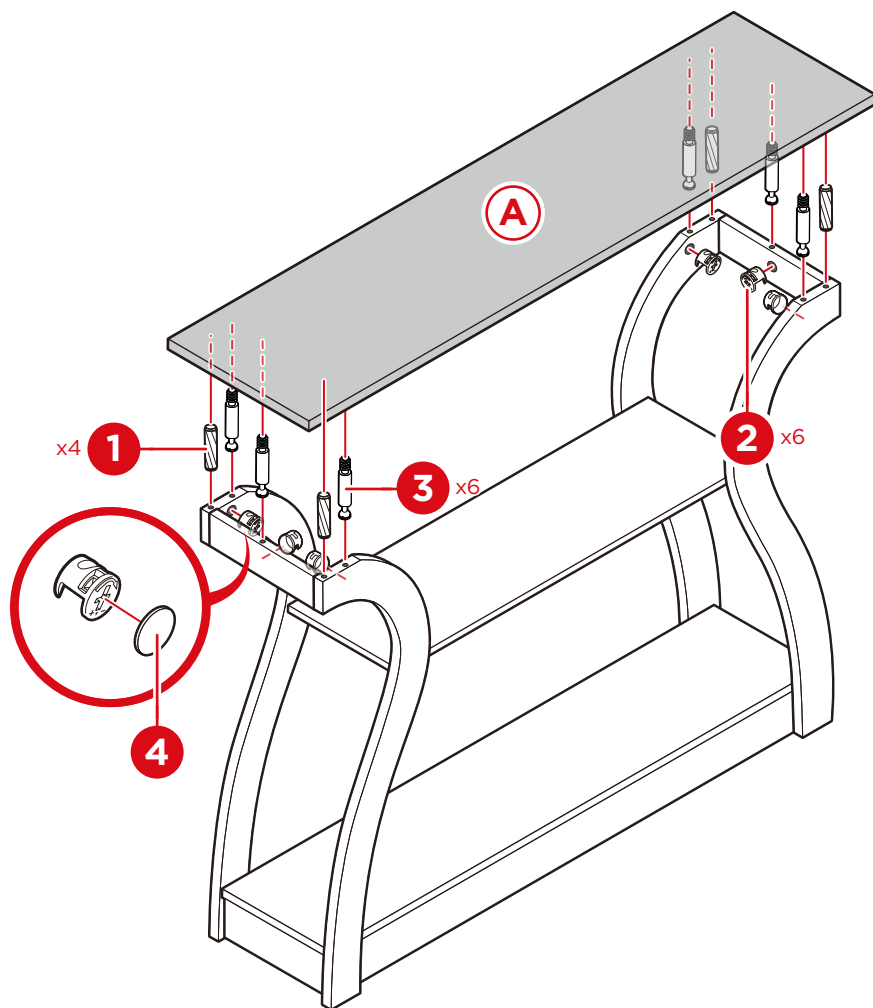
PRODUCT ASSEMBLY

5

Screw six part 3 cam bolts into the part A tabletop.

Attach the tabletop with four part 1 dowels and six part 2 cam locks.

Place a part 4 cam cover over each exposed cam lock.





HELP CENTER



Question about your product? We're here to help. Visit us at:

help.bestchoiceproducts.com



Chat Support



Product Inquiry



Orders FAQ



Product Assembly



Returns & Refunds

PRODUCT WARRANTY INFORMATION

All items can be returned for any reason within 60 days of the receipt and will receive a full refund as long as the item is returned in its original product packaging and all accessories from its original shipment are included. All returned items will receive a full refund back to the original payment method. All returned items will not be charged a re-stocking fee.

All returned items require an RA (Return Authorization) number, which can only be provided by a Best Choice Products Customer Service Representative when the return request is submitted. Items received without an RA may not be accepted or may increase your return processing time. Once an item has been received by Best Choice Products, refunds or replacements will be processed within 5 business days.

All returns must be shipped back to the Best Choice Products Return Center at the customer's expense. If the reason for return is a result of an error by Best Choice Products then Best Choice Products will provide a pre-paid shipping label via email. Boxes for return shipping will not be provided by Best Choice Products, and is the customer's responsibility to either use the original shipping boxes or purchase new boxes.

Pictures may be required for some returns to ensure an item is not damaged prior to its return. Items returned are not considered undamaged until they are received by Best Choice Products and verified as such. All damages to items are the customer's responsibility until the item has been received by and acknowledge by Best Choice Products as undamaged.



WARNING

Manufacturer and seller expressly disclaim any and all liability for personal injury, property damage or loss, whether direct, indirect, or incidental, resulting from the incorrect attachment, improper use, inadequate maintenance, or neglect of this product.