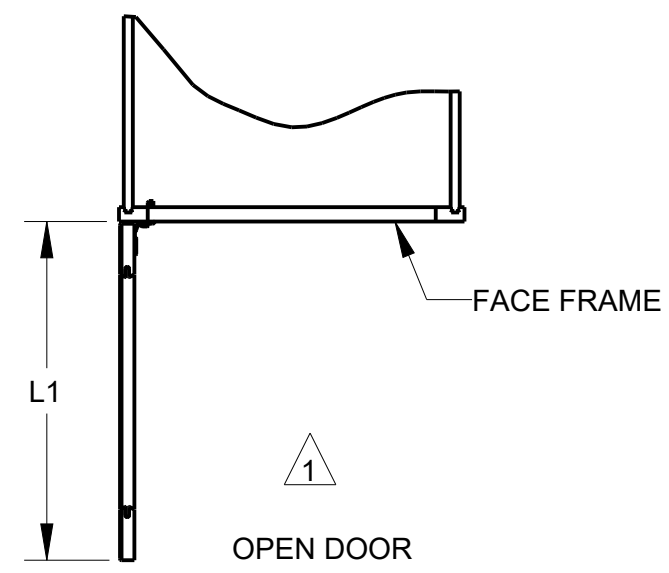
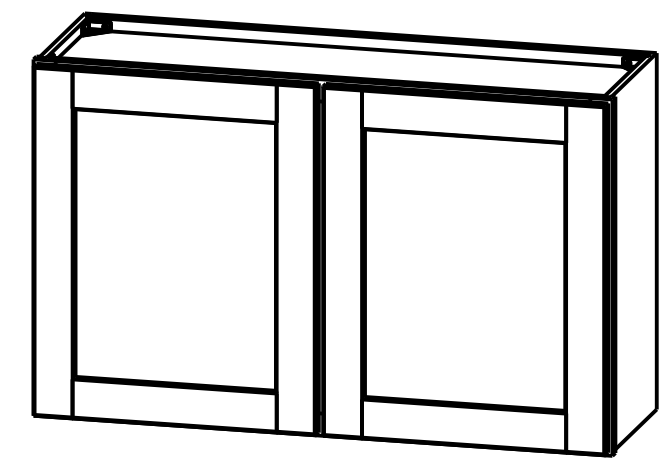
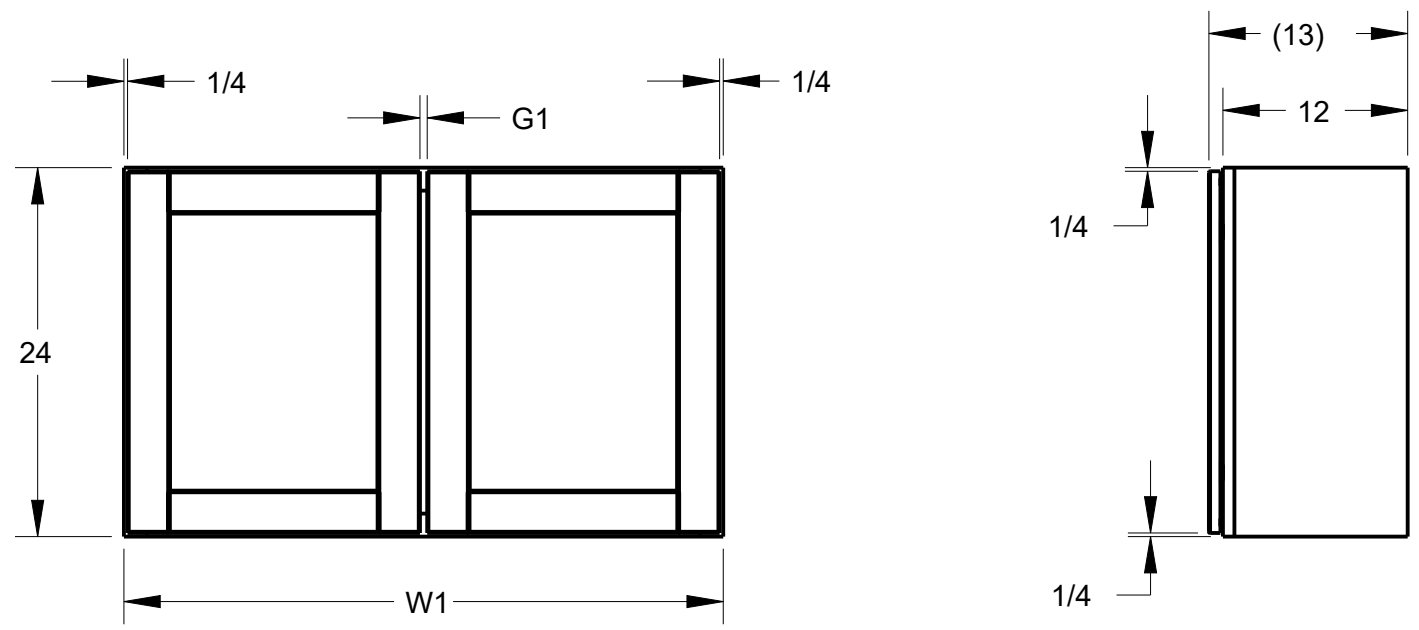


NOTES:

1 OPEN DOOR VIEW INCLUDES HINGE SPACE OFFSET.

PRODUCT	W1	L1	G1	DOOR SIZE
			ROUNDED TO THE NEAREST 1/32	
W3024	30"	14 13/16"	(5/32")	14 11/16" X 23 17/32"
W3324	33"	16 5/16"	(5/32")	16 3/16" X 23 17/32"
W3624	36"	17 13/16"	(5/32")	17 11/16" X 23 17/32"
W3924	39"	19 3/16"	(15/32")	19 1/6" X 23 17/32"



PRODUCT SHOWN W3924

DOCUMENT STATUS Released

THIRD ANGLE PROJECTION 		<b>hardware resources</b>		
MATERIAL N/A	FINISH N/A			
DRAWN BY E.GOLESTANYAN		DATE 19MAR2020		REV <b>B</b>
DESIGNED BY NORTHPOINT		DATE		DRAWING NUMBER W3924-W3624-W3324-W3024_FULL
APPROVED BY GREG DAVIS		DATE 27MAR2020		SIZE A3
		SCALE 0.080		SHEET 1 / 1

HARDWARE RESOURCES RESERVES THE RIGHT TO CHANGE SPECIFICATIONS WITHOUT NOTICE. IN CASE OF A DISCREPANCY, ACTUAL PART GEOMETRY SUPERSEDES THIS DOCUMENT.

THE INFORMATION CONTAINED WITHIN THIS DRAWING IS THE SOLE PROPERTY OF HARDWARE RESOURCES INC. ANY REPRODUCTION IN PART OR WHOLE WITHOUT WRITTEN PERMISSION OF HARDWARE RESOURCES INC. IS PROHIBITED.