



# Ensemble™ Curve

60" x 32" Vikrell® bath/shower, right drain  
71220120



### Features

- 18" apron
- Tongue-and-groove walls with snap-together installation
- Corner shelves
- Innovative Dry-Block™ seal and channeled water containment system form watertight seams

### Material

- Made from solid Vikrell® material for strength, durability, and lasting beauty

### Installation

- Alcove
- Right drain
- Caulk-free installation

### Included Components

- 71224100 60" x 32" Vikrell® bath/shower wall set
- 71121120 60" x 32" Vikrell® bath, right drain



### Codes/Standards

- CSA B45.5/IAPMO Z124
- ASTM E162
- ASTM E662
- HUD, UM Bulletin 73


### STERLING® Vikrell® or Acrylic Baths and Shower Bases Ten-Year Limited Warranty

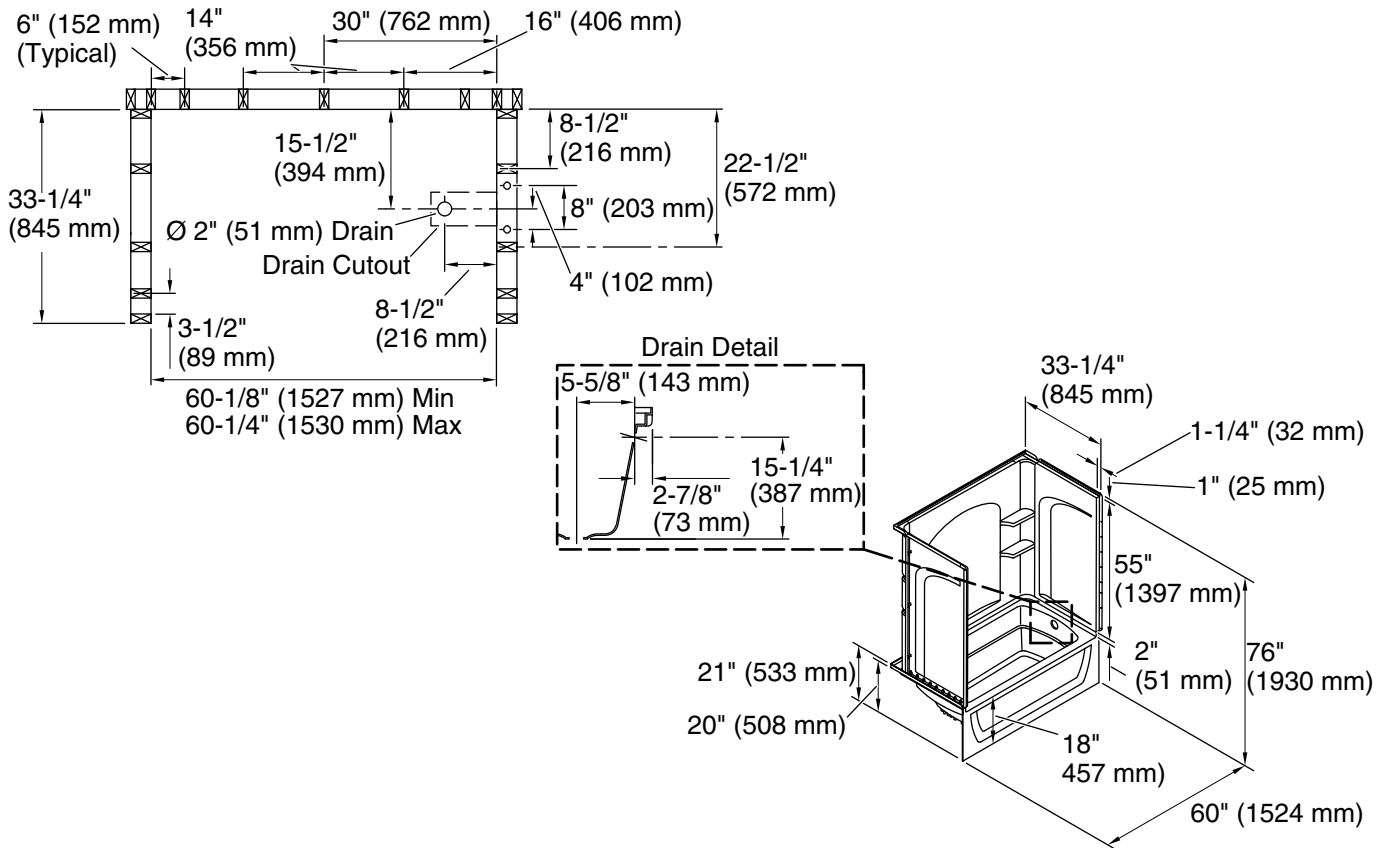
See website for detailed warranty information.

### Available Colors/Finishes

*Color tiles intended for reference only.*

Color	Code	Description
-------	------	-------------

	0	White
---	---	-------



**Technical Information**

All product dimensions are nominal.

Drain location:	Right
Basin area, bottom:	42" x 20" (1067 mm x 508 mm)
Basin area, top:	54" x 26" (1372 mm x 660 mm)
Weight:	128.4 lbs (58.2 kg)
Water depth:	13-3/4" (349 mm)
Water capacity:	55 gal (208.2 L)
Minimum flat for door:	3" (76 mm)
Maximum door height:	56-1/2" (1435 mm)
Maximum door width:	57-11/16" (1465 mm)

**Notes**

Install this product according to the installation instructions.  
Studs should be positioned roughly as shown.  
Double studding is recommended for pivot shower door installations.