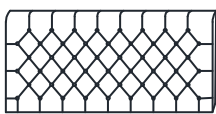
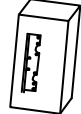
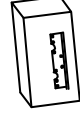
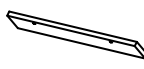





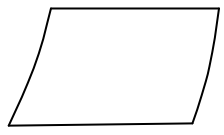
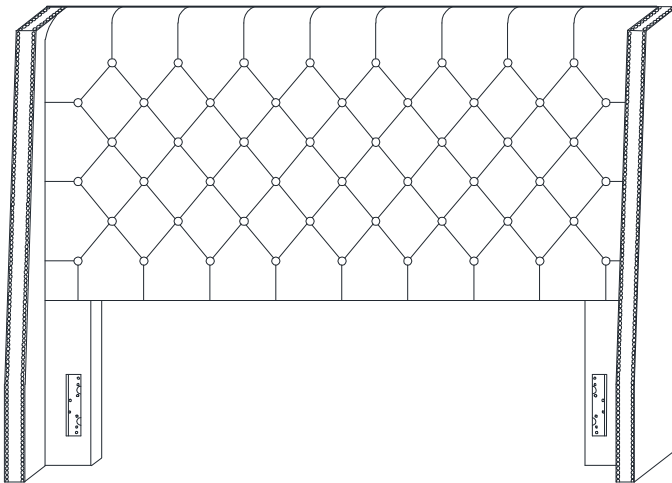


# ASSEMBLY INSTRUCTION

## E300BF/BQ/BK-1(3A) PU CRYSTAL TUFTED STEEP WINGBACK FULL/QUEEN/ EASTERN KING NAILHEAD HEADBOARD

<b>A</b> Headboard	<b>B</b> Left Wooden Frame	<b>C</b> Right Wooden Frame	<b>D</b> Left Side Panel	<b>E</b> Right Side Panel
 1pc	 1pc	 1pc	 1pc	 1pc
<b>F</b> Bolt 1/4" x 50mm  10pcs	<b>G</b> Flat Washer  10pcs	<b>H</b> Lock Washer  10pcs	<b>I</b> Allen Wrench  1pc	<b>J</b> Back Cover  1pc

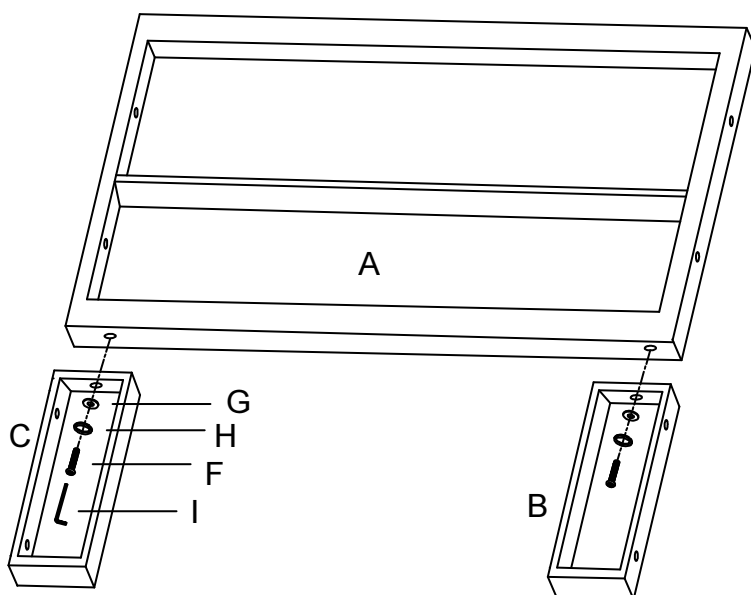


Please take the time to identify the hardware as well as the individual components to this product. As you unpack and prepare for assembly, place the contents on a carpeted or padded area to protect them from damage.

Hardware package with white sticker is for customers using a bolt-on metal bed frame.

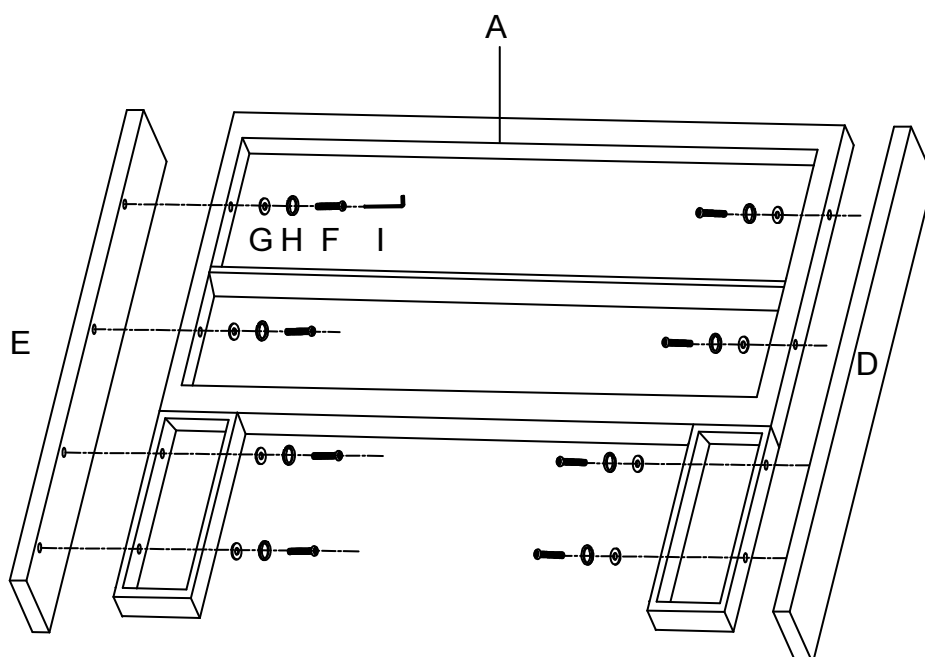
1

Attached Wooden Frame (B) (C) to the Headboard (A) use Bolt (F), Lock Washer (H) and Flat Washer (G). Turn the Allen Wrench (I) in Bolt (F).



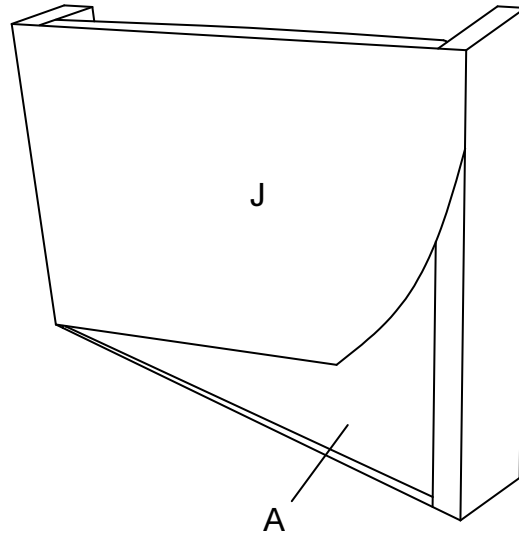
2

Attached Side Panel (D) (E) to the Headboard (A) use Bolt (F), Lock Washer (H) and Flat Washer (G). Turn the Allen Wrench (I) in Bolt (F).



---

**3** Stick the Back Cover (J) on the back of the Headboard (A).



---

**Cleaning & Care**

Treat surface with care. Surface is resistant to scratches but is not scratch resistant. Clean surfaces with a dry or damp soft cloth. Do not use abrasive cleaners. Hardware may loosen over time. Periodically check that all connections are tight.