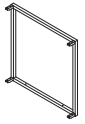
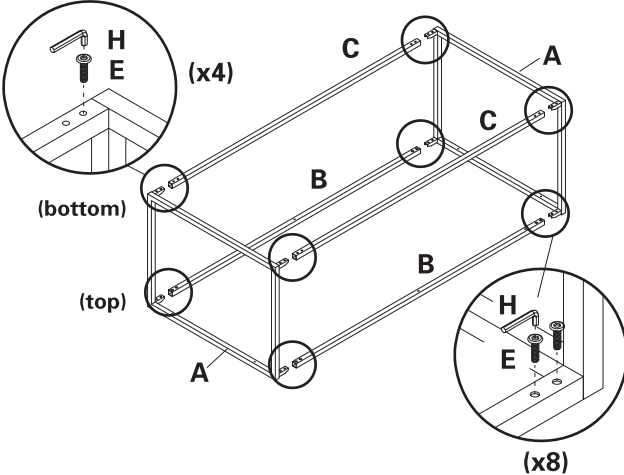
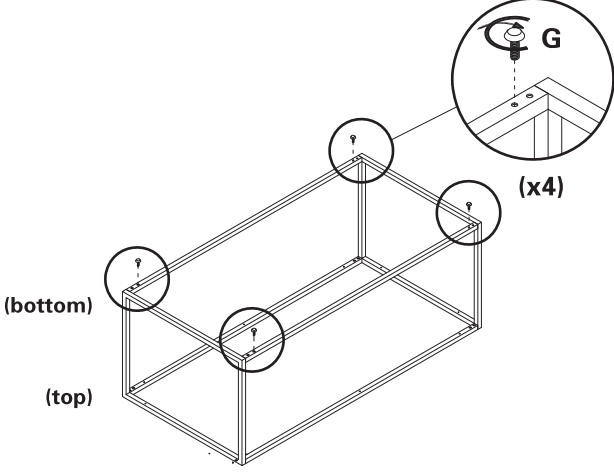



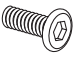

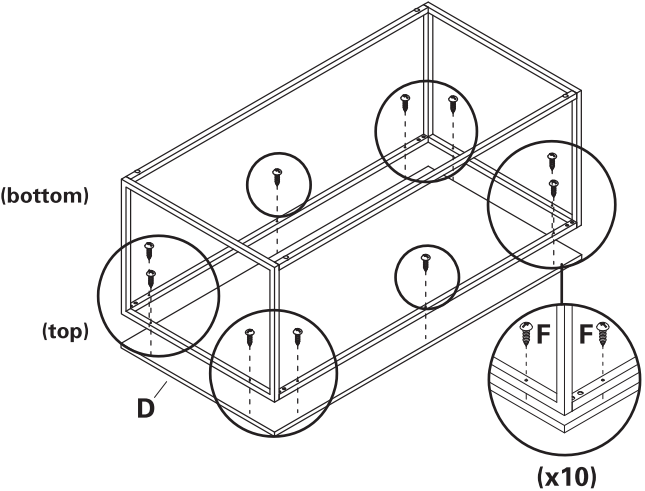





BRIXTON MODERN FARMHOUSE COFFEE TABLE

ASSEMBLY INSTRUCTIONS

FIRSTIME & CO.[®]
— AMERICAN DESIGNED —

| PARTS | | STEP 1 | STEP 2 |
|--|--|---|--|
| A  2 PC | | STEP 1 Connect end frames (A) to bottom rods (C) and top rods (B).  | STEP 2 Attach foot pads (G) into four corners on the bottom of the frame.  |
| B  2 PC | | | |
| C  2 PC | | | |
| D  1 PC | | | |
| E  12 PC | F  10 PC | STEP 3 Attach table frame to wood top (D). Rotate table when complete.  | FULLY ASSEMBLED  |
| G  4 PC | H  1 PC | | |