

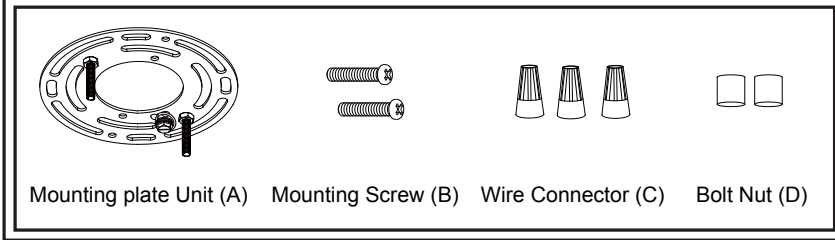
ASSEMBLY AND INSTALLATION INSTRUCTIONS

P0389

WARNING: TO AVOID RISK OF ELECTRICAL SHOCK, BE SURE TO SHUT OFF POWER BEFORE INSTALLING OR SERVICING THIS FIXTURE.

NOTES: 1. Before installing, consult local electrical codes for wiring and grounding requirements.
2. READ AND SAVE THIS INSTRUCTIONS.

Hardware Package (included):



Installation Steps

Turn off the power at fuse or circuit box.

1. Attach mounting plate unit (A) to the outlet box using two mounting screws (B).

2. Rod Connections:

- Thread the fixture wire from the fixture through the lower rod, then secure the lower rod onto fixture using the threaded pipe.
- Thread the fixture wire through the middle rod and then secure the middle rod onto the lower rod using the threaded pipe.
- Thread the fixture wire through the upper rod, then secure the upper rod onto the middle rod using the threaded pipe.

Note: Length adjustable from 29-3/4" to 83-3/4". Use fewer rods if shorter length is desired.

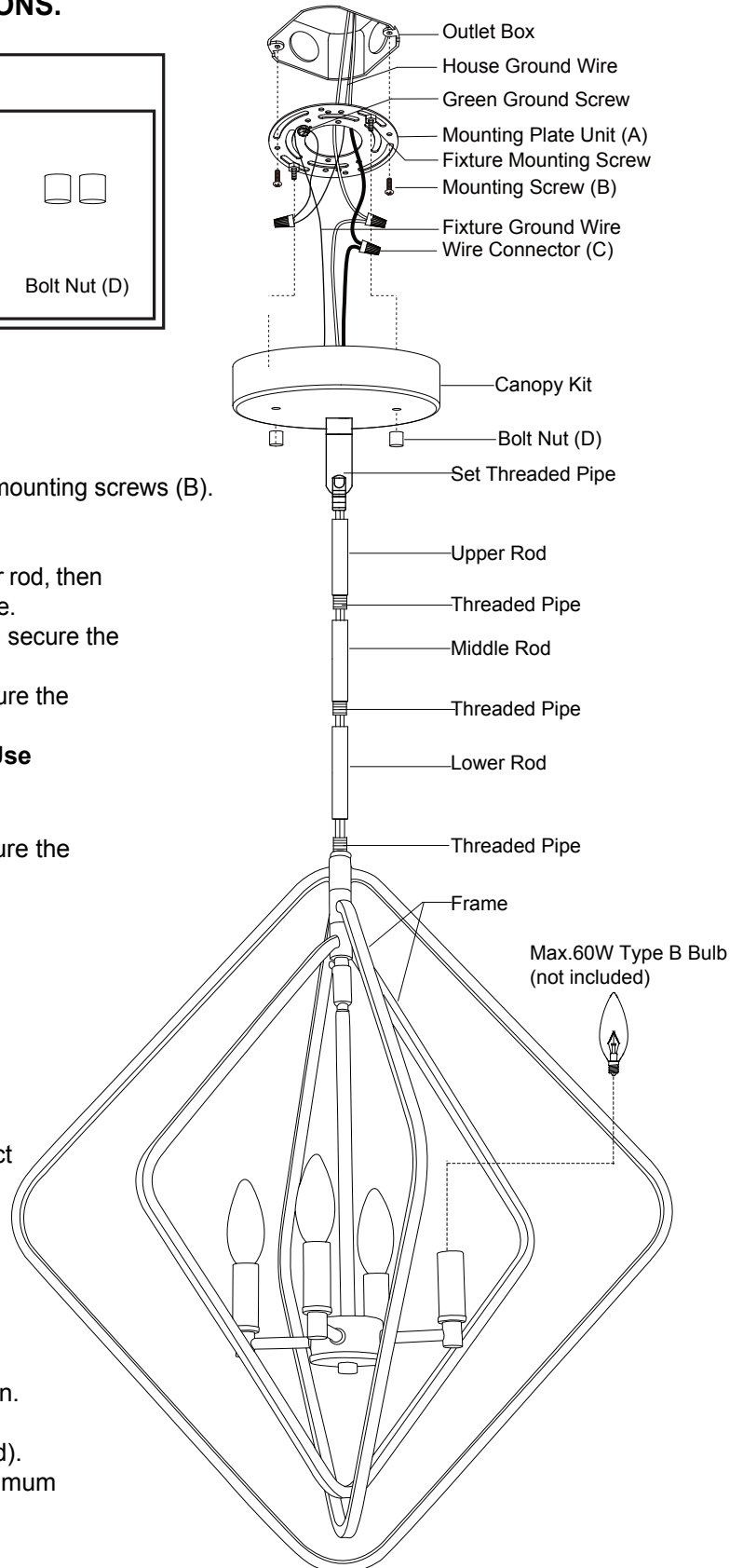
3. Thread the fixture wire through the canopy kit, then secure the rod assembly to the set threaded pipe of the canopy kit.

4. Pull out the source wires from the outlet box. Make wire connections using wire connector (C) as follows:
---Connect the smooth-coated wire (marked) from the fixture to the black wire from the power source.
---Connect the ribbed-coated wire (unmarked) from the fixture to the white wire from the power source.
---Attach the fixture ground wire to the mounting plate unit (A) with the green ground screw, then connect it to the house ground wire with a wire connector (C).
Carefully put the wires back into the outlet box.

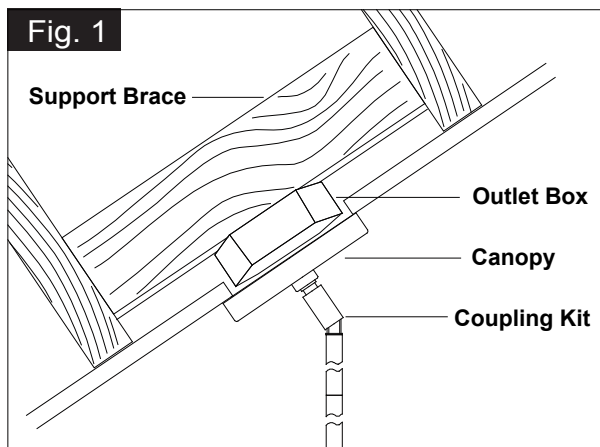
5. Attach the canopy kit to the mounting plate unit (A) by inserting the fixture mounting screws, then secure it with two bolt nuts (D).

6. Rotate the frames of the fixture to the appropriate position.

7. Install 4 x 60W Max. candelabra base bulbs (not included). See relamping label at socket area or packaging for maximum wattage allowed.



8. Angled mounting recommended for a vaulted or angled ceiling. (See Fig. 1)



Turn on the power at fuse or circuit box.

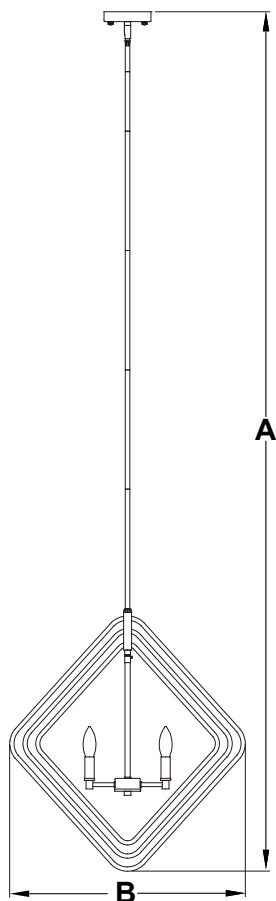
The following parts are available for re-order if damaged or missing.

Spare Parts List:

Mounting plate Unit (A) Mounting Screw (B) Wire Connector (C) Bolt Nut (D)

Mounting Hardware 6556MM (1 SET)

3" Rod 3350RD 6" Rod 3351RD 12" Rod 3352RD



A: 29-3/4"~83-3/4"
B: 22"