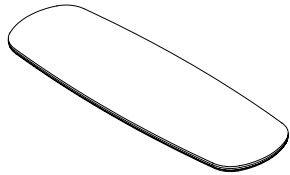


# ASSEMBLY INSTRUCTIONS

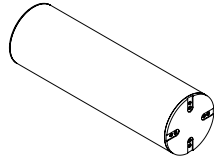
## SOFA TABLE

**A** Top Panel



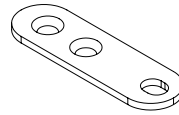
1PC

**B** Column Base



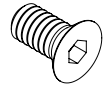
2PCS

**C** Metal Bracket  
80 x 25 x 3mm



8PCS

**D** Bolt  
Ø1/4" x 1/2" x Ø11mm



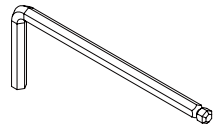
16PCS

**E** Bolt  
Ø1/4" x 5/8" x Ø13mm  
(2PCS for Anti-Tipping)



10PCS

**F** Allen Key  
M4



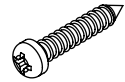
1PC

**G** Metal Bracket  
22 x 22 x 17mm  
(Anti-Tipping)



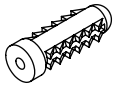
4PCS

**H** Wood Screw  
Ø4 x 25 x Ø8mm  
(Anti-Tipping)



2PCS

**I** Plastic Anchor  
(Anti-Tipping)

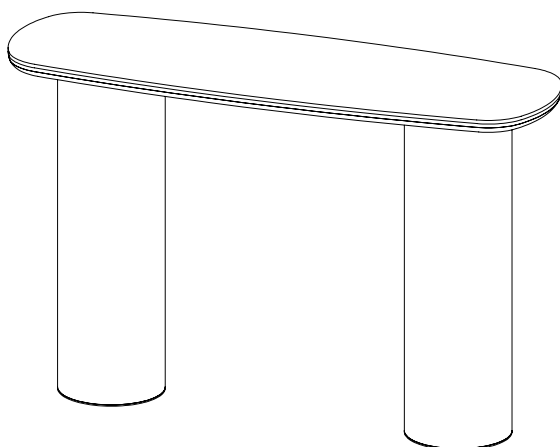


2PCS

**J** Plastic Mounting Strap  
(Anti-Tipping)

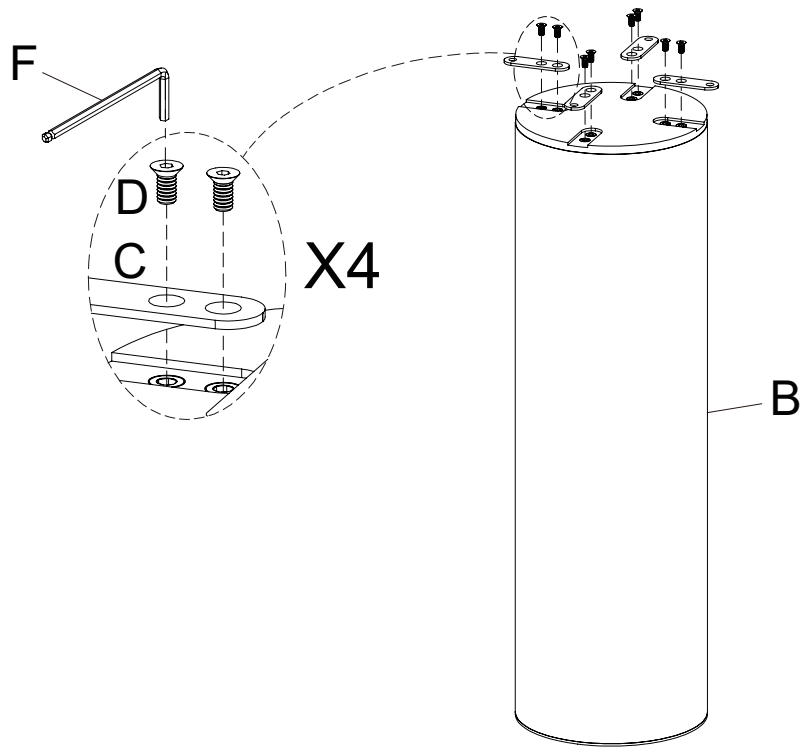


2PCS

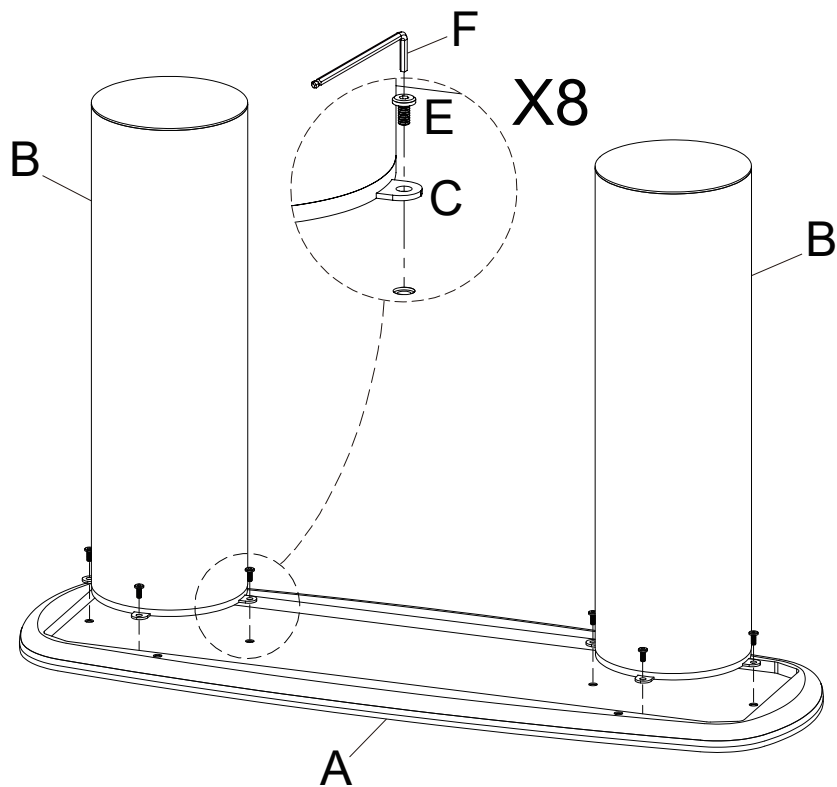


This page lists all the contents included in the box. Please take the time to identify the hardware as well as the individual components to this product. As you unpack and prepare for assembly, place the contents on a carpeted or padded area to protect them from damage.

**1** Attach the Metal Bracket (C) to the Column Base (B) using Bolt (D) with the Allen Key (F).



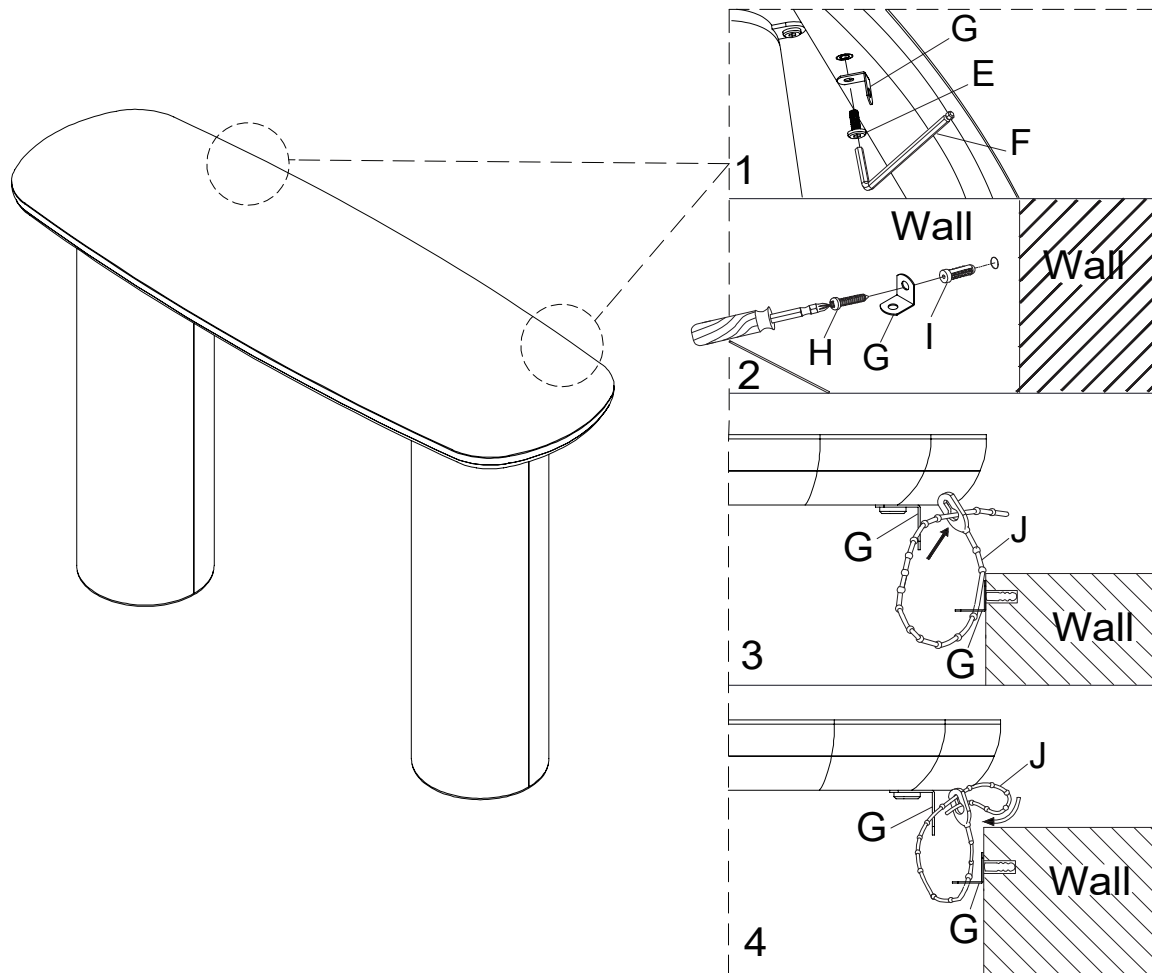
**2** Attach the Column Base (B) to the Top Panel (A) using Bolt (E) through the Metal Bracket (C) with the Allen Key (F).



### 3

\*Note: For your safety, we recommend attaching the product to the wall using the provided Anti-Tipping Kit as per the instructions below.

1. Attach 2pcs of Metal Bracket (G) to the holes on the bottom of the Top Panel (A) using Bolt (E) with the Allen Key (F). Ensure the Metal Bracket (G) extend DOWNWARD.
2. Determine where you want to place the furniture and mark location on the wall for Metal Bracket (G). Drill 2 holes in the wall approximately 2" below the corresponding positions of Metal Bracket (G) and insert Plastic Anchor (I). Then, attach the other 2pcs of Metal Bracket (G) to the wall over the Plastic Anchor (I) using the Wood Screw (H) with a screwdriver (not provided).
3. Position the furniture so that the Metal Bracket (G) on the Top Panel (A) align with the Metal Bracket (G) on the wall.
4. Connect the corresponding Metal Bracket (G) with the Plastic Mounting Strap (J) and tighten them as desired before locking them in place.



### Cleaning & Care

Treat surfaces with care. Surfaces are resistant to scratches but are not scratch resistant. Clean surfaces with a dry or damp soft cloth. Do not use abrasive cleaners. Hardware may loosen over time. Periodically check that all connections are tight.