



Lawson®
60" x 36" Vikrell® drop-in bath
71271100



Features

- 20" bath depth
- Durable high-gloss finish
- Reversible drain can be installed as left- or right-hand drain
- Two optional aprons available (with and without front access panel)
- Optional flange kit available for easier conversion to alcove installation. Kit provides continuous rim support and added water containment benefits compared to nonflanged alcove installation

Material

- Made from solid Vikrell® material for strength, durability, and lasting beauty

Installation

- Drop-in

Recommended Products/Accessories

- 71268100 Bath apron
- 76268100 Bath apron with removable access panel



Codes/Standards

- CSA B45.5/IAPMO Z124
- ASTM E162
- ASTM E662
- HUD, UM Bulletin 73


STERLING® Vikrell® or Acrylic Baths and Shower Bases Ten-Year Limited Warranty

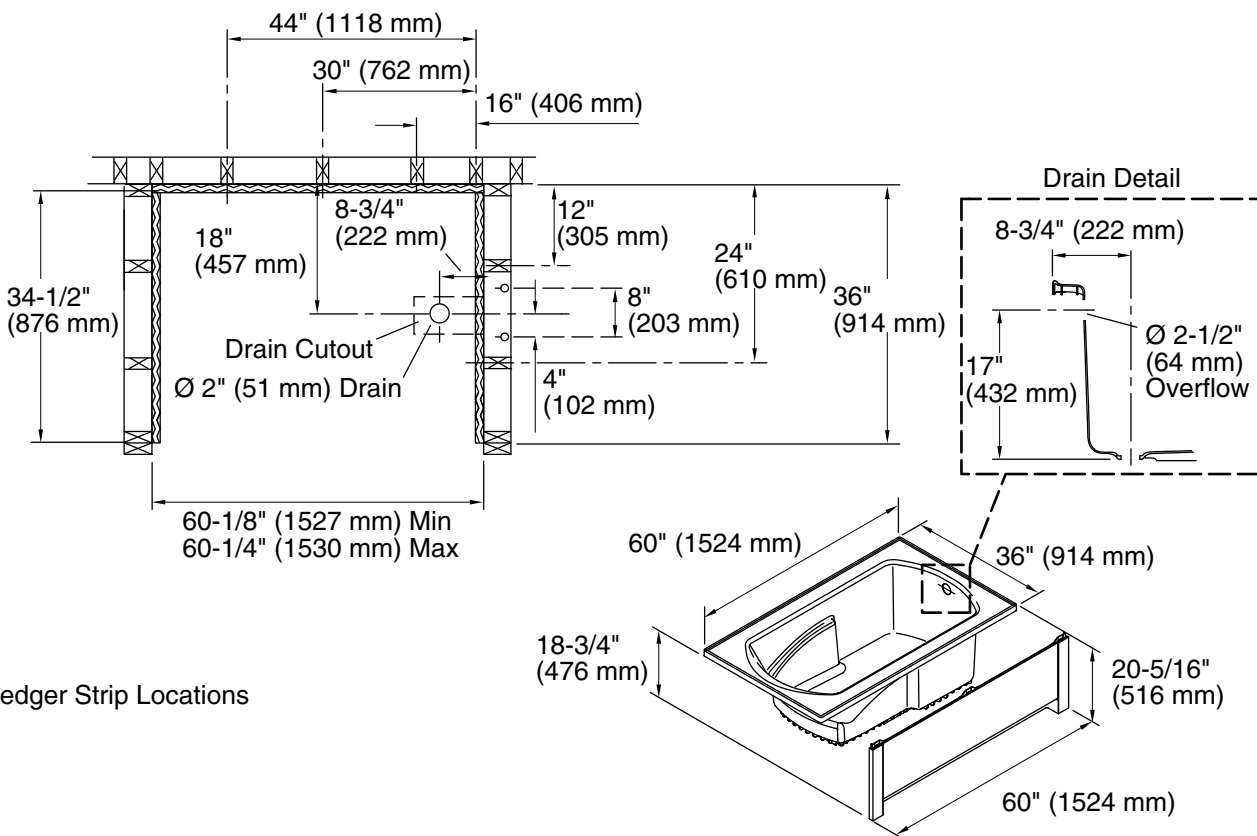
See website for detailed warranty information.

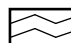
Available Colors/Finishes

Color tiles intended for reference only.

Color	Code	Description
-------	------	-------------

	0	White
---	---	-------



 Ledger Strip Locations

Technical Information

All product dimensions are nominal.

Drain location:	Reversible
Basin area, bottom:	44" x 25-1/2" (1118 mm x 648 mm)
Basin area, top:	51" x 26-3/4" (1295 mm x 679 mm)
Water depth:	15-1/4" (387 mm)
Water capacity:	59 gal (223.3 L)
Maximum door width:	60" (1524 mm)

Notes

Install this product according to the installation instructions.
Studs should be positioned roughly as shown.
Double studding is recommended for pivot shower door installations.