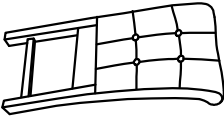
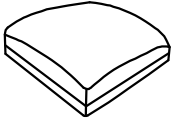

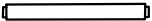
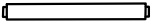
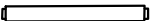









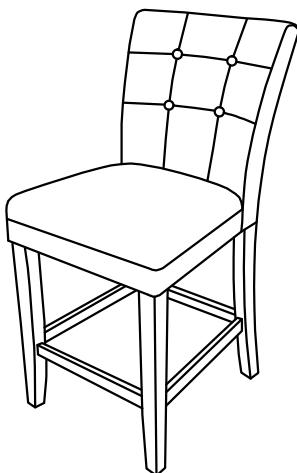


# ASSEMBLY INSTRUCTION

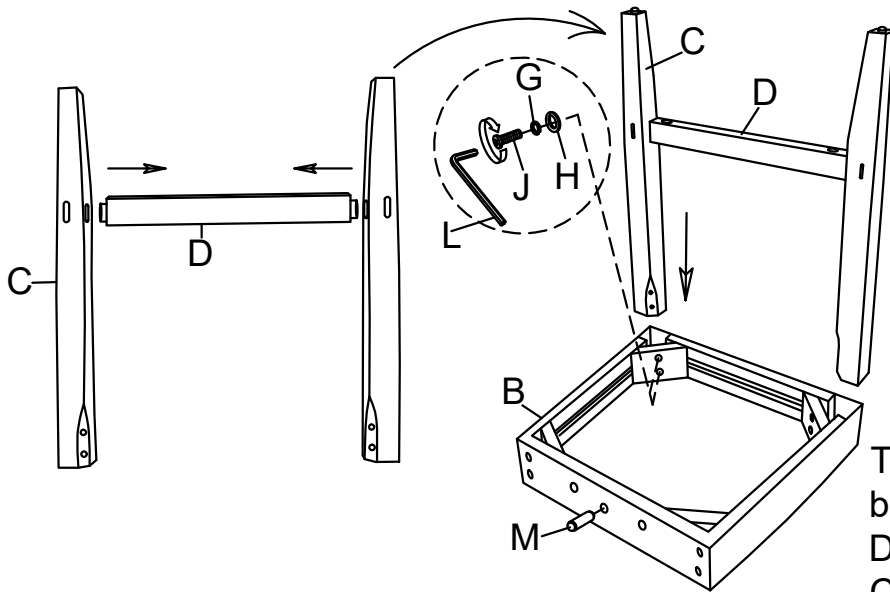
## 714-24 24" COUNTER HEIGHT CHAIR

<b>A</b> Chair Back 1pc 	<b>B</b> Seat 1pc 	<b>C</b> Front Leg 2pcs 	<b>D</b> Front Stretcher 1pc 
<b>E</b> Left Stretcher 1pc 	<b>F</b> Right Stretcher 1pc 	<b>G</b> Lock Washer Ø5/16"x13mm 2pcs 	<b>H</b> Flat Washer Ø5/16"x19mm 1pc 
<b>I</b> Bolt Ø5/16"x3-1/2" 1pc 	<b>J</b> Bolt Ø5/16"x2-1/2" 1pc 	<b>K</b> Bolt Ø5/16"x2-1/4" 11pcs 	<b>L</b> Allen Key M5 11pcs 
<b>M</b> Wood Dowel Ø10x30mm 4pcs 	<b>N</b> Screw M4x1-1/2" 4pcs 	<b>O</b> Glue 3pcs 1pc 	



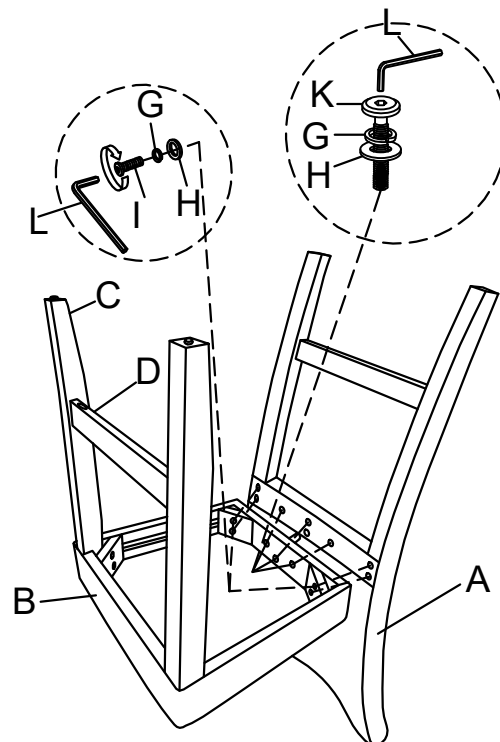
This page lists all the contents included in the box. Please take the time to identify the hardware as well as the individual components to this product. As you unpack and prepare for assembly, place the contents on a carpeted or padded area to protect them from damage.

- 1** Put the Seat (B) on a smooth flat surface, attach Front Leg (C) & Front Stretcher (D) to the Seat (B) using Bolt (J), Lock Washer (G) and Flat Washer (H) on both holes of Seat (B) by Allen Key (L). Turn the Allen Key (L) in Bolt (J). But not too tight. Attach Wood Dowel (M) to Seat (B) back.



Take the Allen Key, and turn the bolts until the legs are secure. **DO NOT TIGHTEN COMPLETELY.** Stop when you feel you are adding force to tighten the bolt.

- 2** Put Chair Back (A) on a smooth flat surface, attach the Seat (B) to the Chair Back (A) using Bolt (I) & Bolt (K), Lock Washer (G), Flat Washer (H) in both holes of Seat (B) and Chair Back (A). Turn the Allen Key (L) in Bolt (I) & Bolt (K).



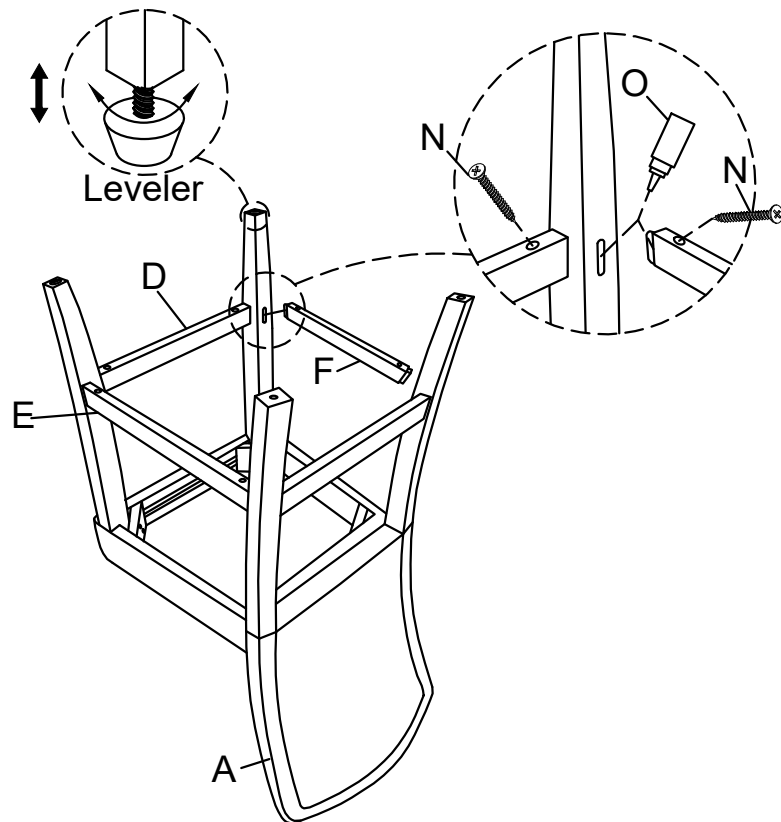
**3** See drawing, assemble the Left Stretcher (E) and the Right Stretcher (F). Use Screw (N) and Glue (O) to secure all stretchers including Front Stretcher (D).

Stand chair up on an even surface and check that it is balanced. If there is a slight wobble, apply downward pressure in the corner where a leg is uneven. Keeping pressure in that corner, tighten all bolts. If balanced, apply downward pressure evenly in the center and tighten all bolts. Do not over-tighten beyond hole depth.

Turn left or turn right to adjust the leveler until the chair is stabilized.

Helpful Tip:

-Instead of applying downward pressure while reaching under to tighten bolts, have someone sit in the chair while you tighten the bolts.



### Cleaning & Care

Treat surface with care. Surface is resistant to scratches but is not scratch resistant. Clean surfaces with a dry or damp soft cloth. Do not use abrasive cleaners. Hardware may loosen over time. Periodically check that all connections are tight.