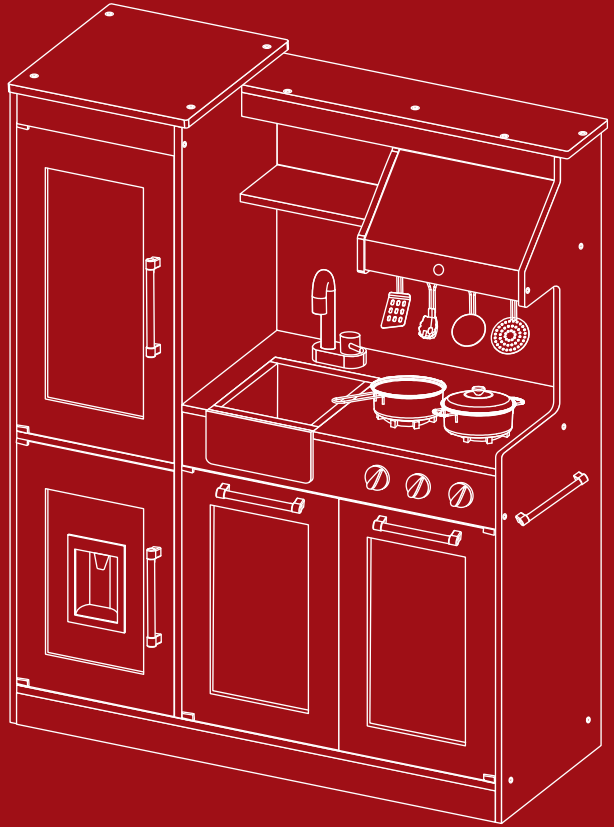




BEST CHOICE
PRODUCTS



INSTRUCTION MANUAL

Pretend Play Kitchen with
Chalkboard



**BEST CHOICE
PRODUCTS**

As shoppers, we're always trying to find the perfect balance between quality & value. At BCP, we believe we've achieved that. Our diverse catalog of everyday essentials is tailored especially to our customers & guaranteed to hit that sweet spot of high quality & low price.

— Always. —

⚠ WARNING
ADULT ASSEMBLY REQUIRED

⚠ WARNING
CHOKING HAZARD - Small parts.
Not for children under 3 years old.

! NOTICE Please retain these instructions for future reference.

- This product requires adult assembly and supervision when in use.
- This product is intended for indoor use only.
- Do not stand on or use any part of this item as a step ladder.
- Firmly secure all bolts, screws and knobs before use.
- Reconfirm that all bolts, screws, and knobs are secure every 90 days.
- Do not use or store this item in the proximity of open flame or flammable/combustible chemicals.
- If any parts are missing, broken, damaged, or worn, stop using this item until repairs are made and/or factory replacement parts are installed.
- Do not use this item in a way inconsistent with the manufacturer's instructions as this could void the product warranty.
- This product contains small parts. May result in choking hazard for children under 3 years.
- To wipe down item, use a damp cloth. Then, wipe it down once more with a dry cloth.
- This product is intended for residential use only.

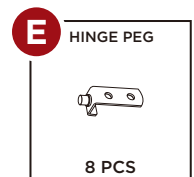
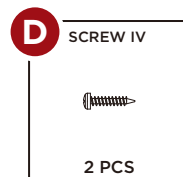
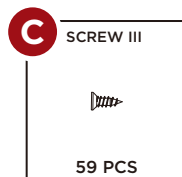
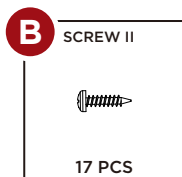
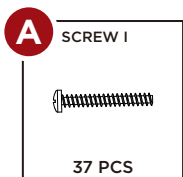
⚠ WARNING

- This product requires adult assembly and supervision when in use.
- This product contains small parts. May result in choking hazard for children under 3 years.
- Fasten screws loosely during initial assembly. Do not firmly tighten the screws until the item is completely assembled.
- Do not use or store this item in the proximity of open flame or flammable/combustible chemicals and substance.
- Be aware that some parts are heavy or have sharp edges.
- Do not use this item in a way inconsistent with manufacturer's instructions as this could void the product warranty.






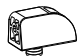

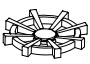
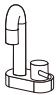









TOOLS REQUIRED



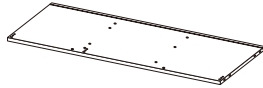
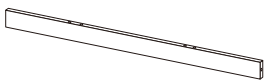
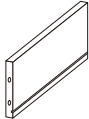
HARDWARE



HARDWARE

F DOWEL  51 PCS	G DOOR CATCH  4 PCS	H DOOR INSERT  4 PCS	I UPPER HINGE  3 PCS	J HANDLE HOLDER  10 PCS
K HOOD HINGE  1 PC	L COUNTER SUPPORT  1 PC	M UPPER HINGE RECEIVER  5 PCS	N BURNER  2 PCS	O FAUCET  1 PC
P ICE DISPENSER  1 PC	Q HOOD PANEL  1 PC	R RAIL  1 PC	S RIGHT SIDE HANDLE  1 PC	T LONG HANDLE  4 PCS
U S-HOOK  4 PCS	V WALL NAIL  1 PC	W WALL SPACER  1 PC	X WALL ANCHOR  1 PC	

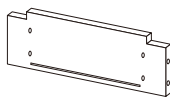
PARTS

1 BASE  1 PC	2 SKIRT  1 PC	3 SINK LEFT SIDE  1 PC
--	---	--

PARTS

4

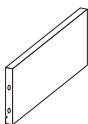
SINK BACK



1 PC

5

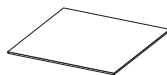
SINK RIGHT SIDE



1 PC

6

SINK BOTTOM



1 PC

7

LONG DIVIDER



1 PC

8

SHORT DIVIDER



1 PC

9

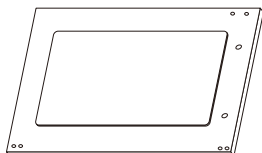
SHORT BACK



2 PCS

10

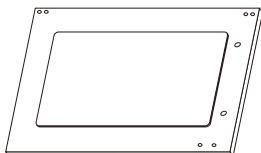
SINK CUPBOARD DOOR



1 PC

11

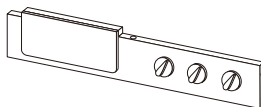
OVEN DOOR



1 PC

12

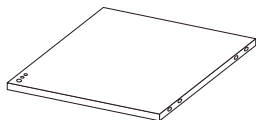
COUNTER PANEL



1 PC

13

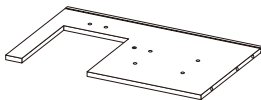
PANTRY DIVIDER



1 PC

14

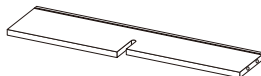
COUNTERTOP



1 PC

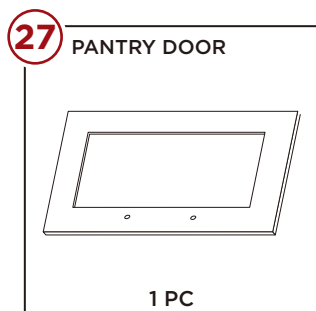
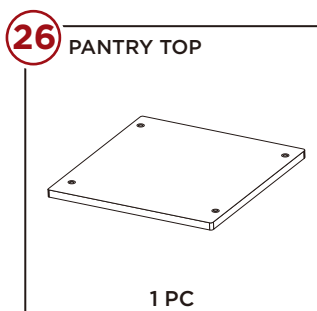
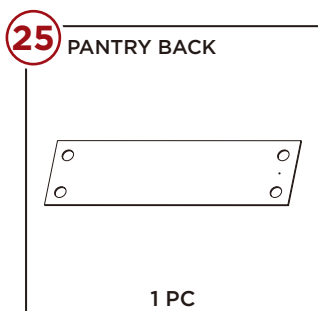
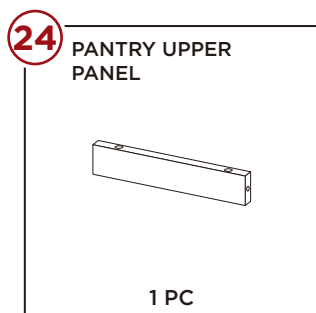
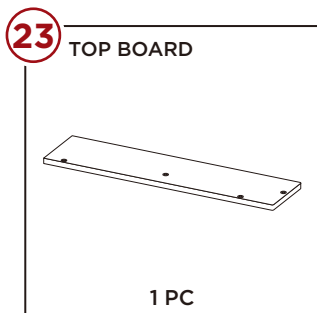
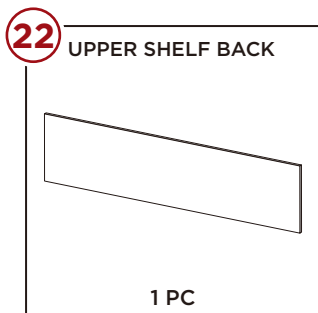
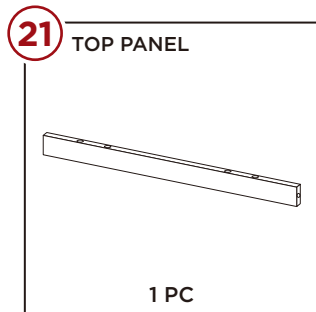
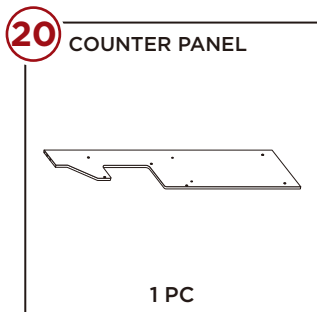
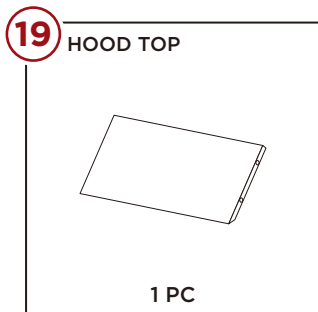
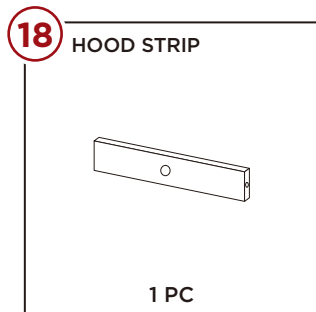
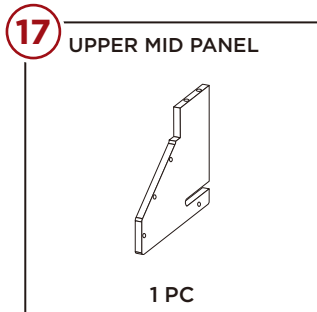
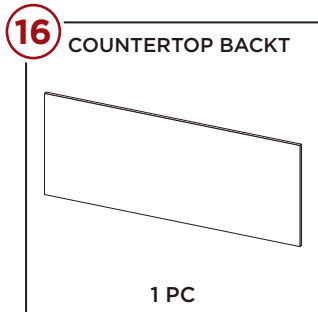
15

UPPER SHELF

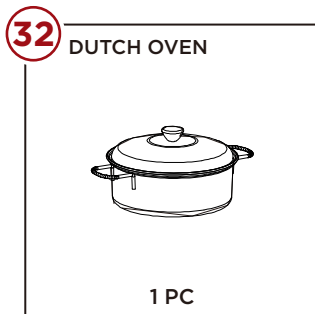
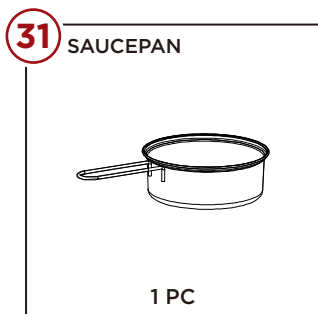
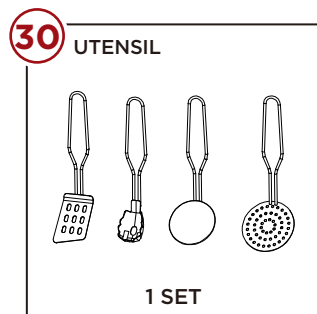
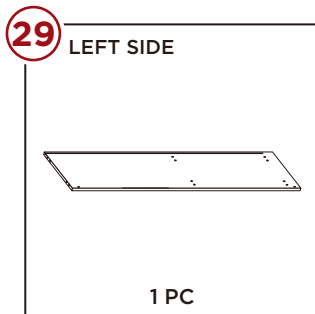
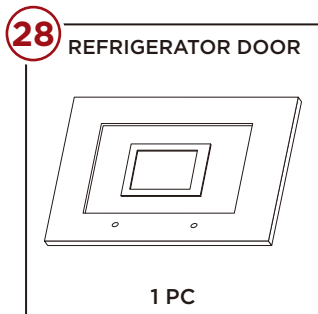


1 PC

PARTS



PARTS

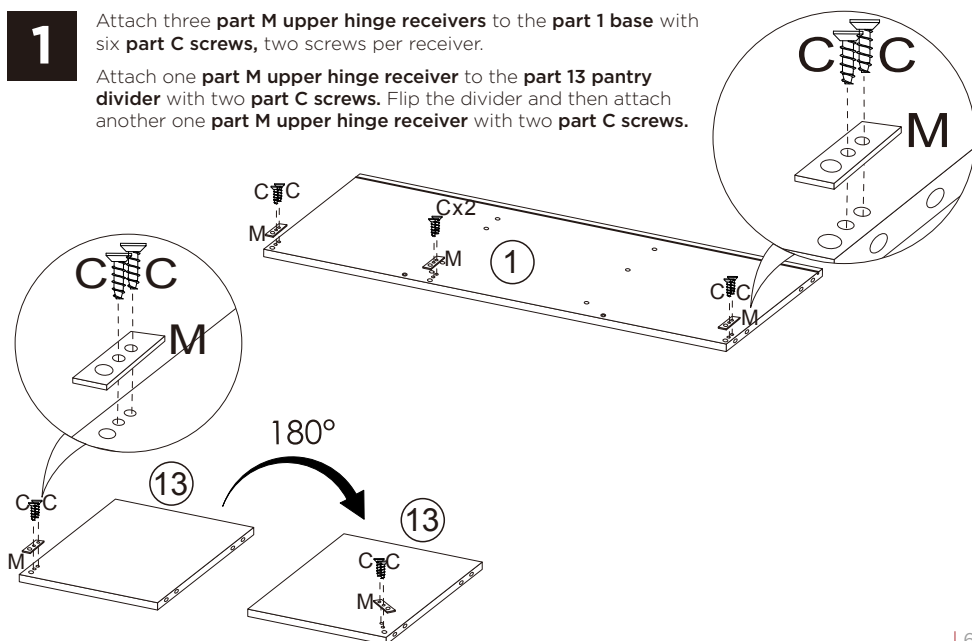


PRODUCT ASSEMBLY

1

Attach three **part M** upper hinge receivers to the **part 1** base with six **part C** screws, two screws per receiver.

Attach one **part M** upper hinge receiver to the **part 13** pantry divider with two **part C** screws. Flip the divider and then attach another one **part M** upper hinge receiver with two **part C** screws.

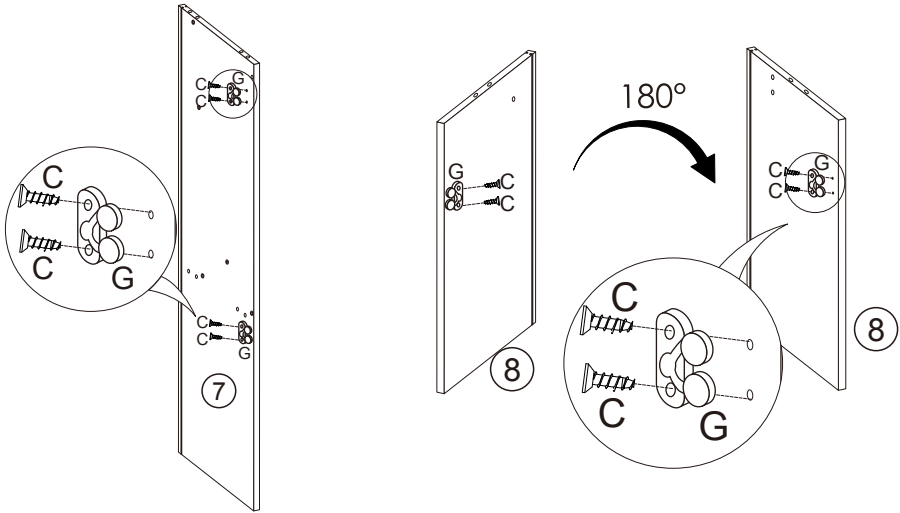


PRODUCT ASSEMBLY

2

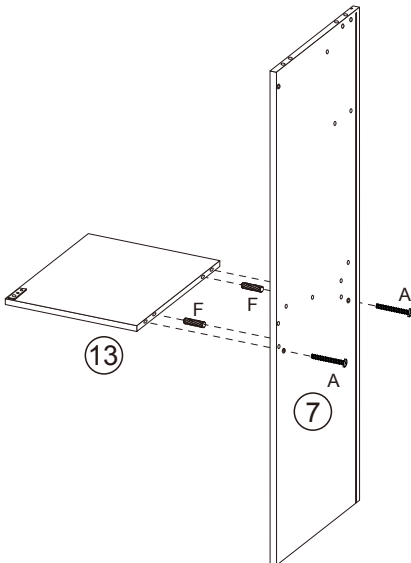
Attach two **part G door catches** to the **part 7 long divider** with four **part C screws**, two screws per door catch.

Attach one **part G door catch** to the **part 8 short divider** with two **part C screws**. Flip the short divider and attach one **part G door catch** with two **part C screws**.



3

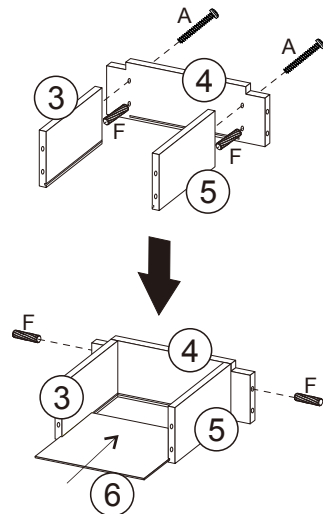
Insert two **part F dowels** into the **part 13 pantry divider**, then attach the bottom to the **part 7 long divider** with two **part A screws**.



4

Attach the **part 4 sink back** to **part 3 & 5 sink sides** with two **part F dowels** and two **part A screws**, and then slide the **part 6 sink bottom**.

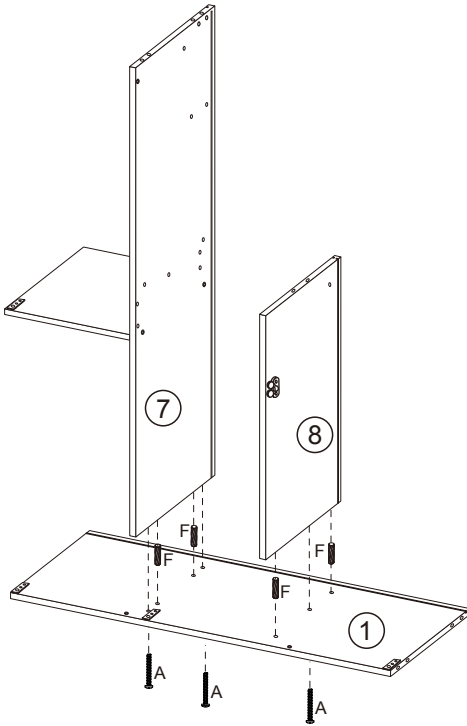
Insert two more **part F dowels** to each sides of the **part 4 sink back**.



PRODUCT ASSEMBLY

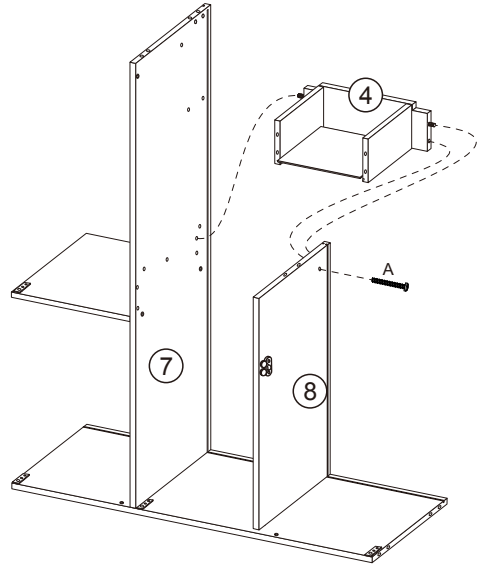
5

Insert four **part F** dowels to the **part 1** base, then attach the base to the **part 7 & 8** dividers with three **part A** screws.



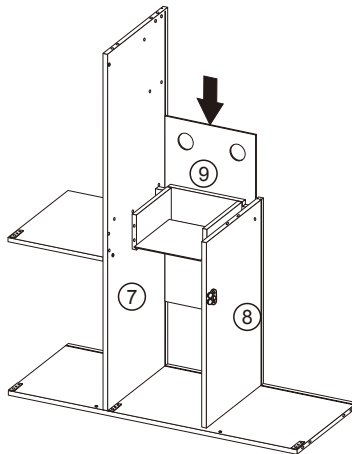
6

Insert the sink assembly between the **part 7 & 8** dividers with one **part A** screws.



7

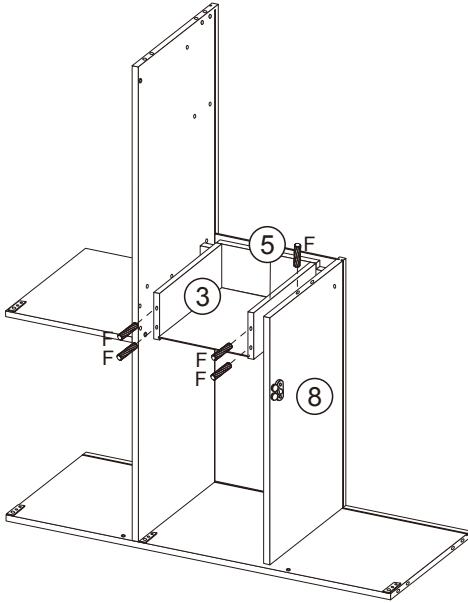
Slide in one **part 9** short back between the **part 7 & 8** dividers.



PRODUCT ASSEMBLY

8

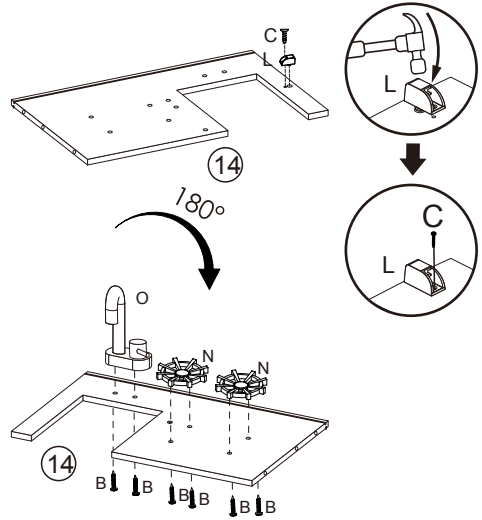
Insert four **part F** dowels to the sink assembly and one **part F** dowel to the **part 8** short divider, five dowels total.



9

Hammer one **part L** counter support into the **part 14** countertop, then secure with one **part C** screw.

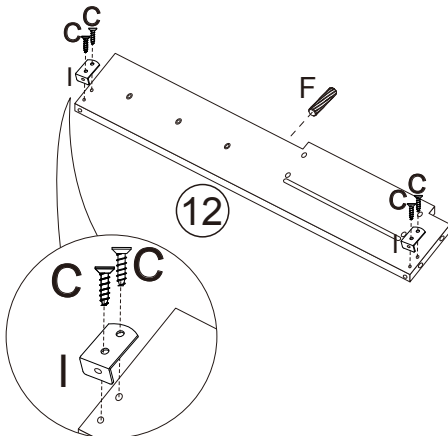
Flip the countertop and attach the **part O** faucet and two part N burners with six **part B** screws, two screws each.



10

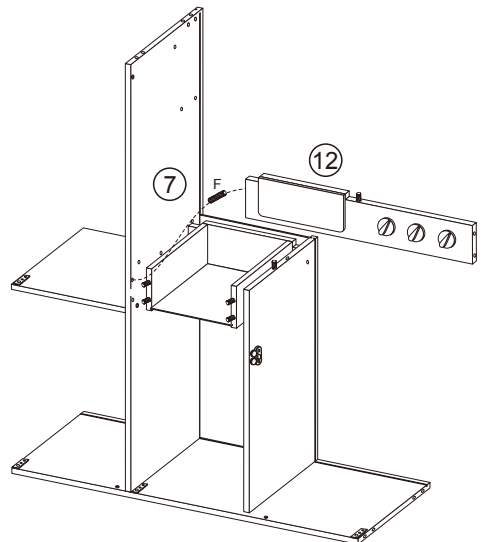
Insert one **part F** dowel to the **part 12** counter panel.

Attach two **part I** upper hinges to the **part 12** counter panel with four **part C** screws, two screws per hinge.



11

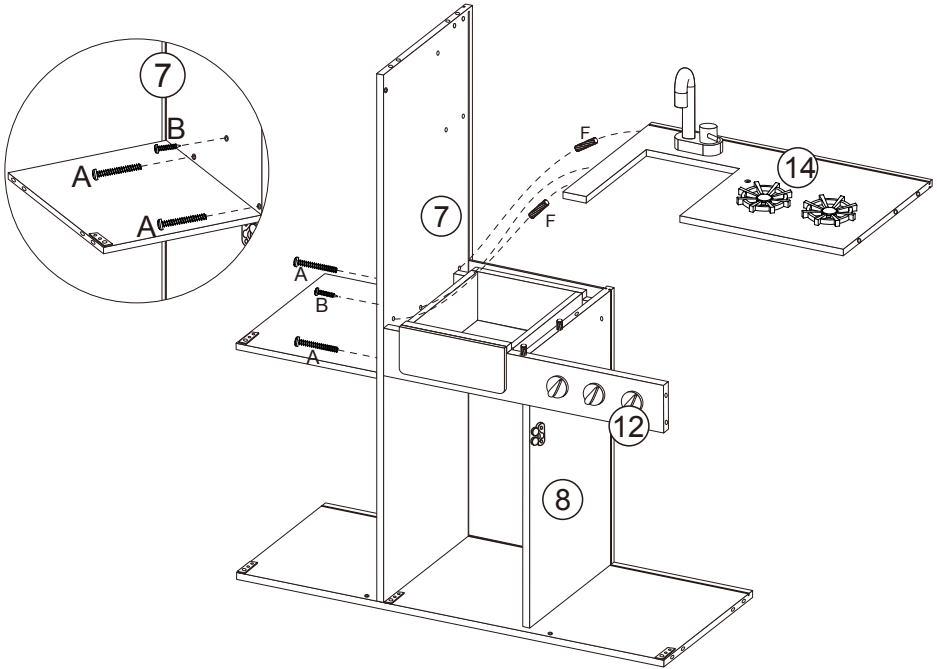
Insert one **part F** dowel to the **part 12** counter panel, then attach the panel to the **part 7** long divider and sink assembly.



PRODUCT ASSEMBLY

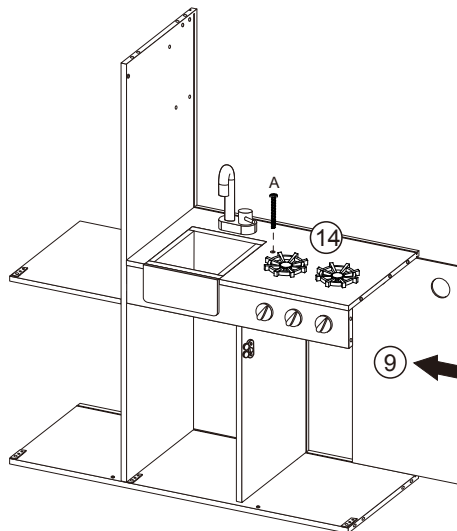
12

Insert two **part F** dowels to the **part 14** countertop, then attach it to the **part 7 & 8** dividers with two **part A** screws and one **part B** screw.



13

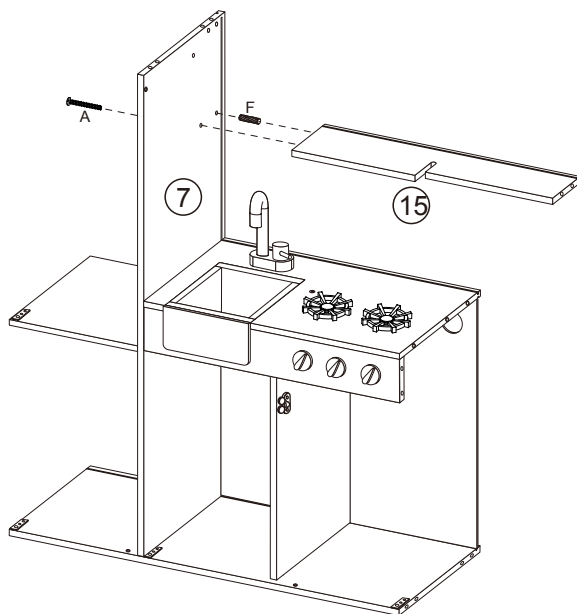
Slide in one **part 9** short back between the **part 1** base and **part 14** countertop.



PRODUCT ASSEMBLY

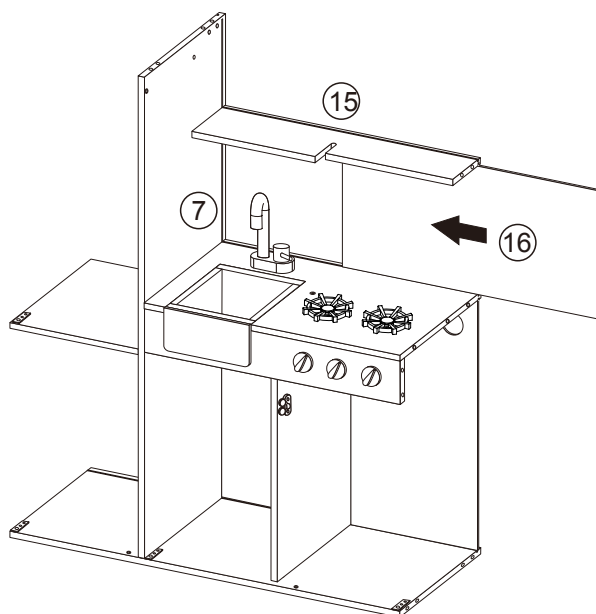
14

Insert one **part F** dowel to the **part 15** upper shelf, then attach the shelf to the **part 7** long divider with one **part A** screw.



15

Slide in the **part 16** countertop back between the **part 14** countertop and the **part 15** upper shelf.



PRODUCT ASSEMBLY

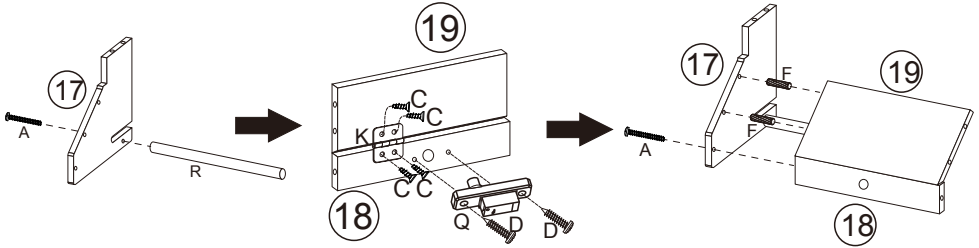
16

Attach the **part R rail** to the **part 17 upper mid panel** with one **part A screws**.

Attach the **part 18 hood strip** to the **part 19 hood top** with one **part K hood hinge** and four **part C screws**.

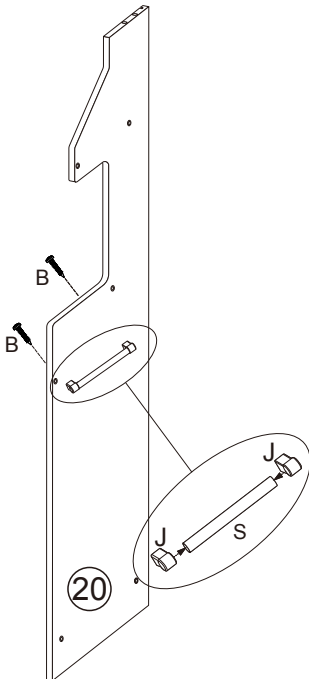
Attach the **part Q hood panel** to the **part 18 hood strip** with two **part D screws**.

Attach the hood assembly to the **part 17 upper mid panel** with two **part F dowels** and one **part A screw**.



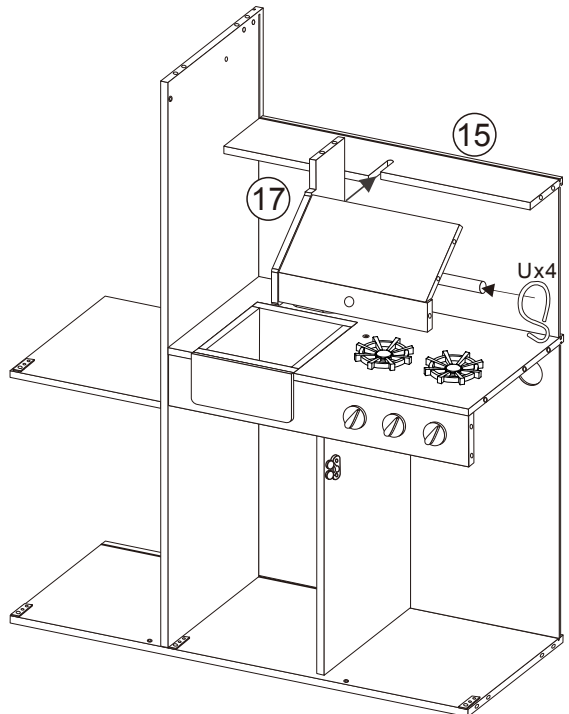
17

Attach one **part S handle** and two **part J handle holder** to the **part 20 right side** with two **part B screws**.



18

Insert the hood assembly to the **part 15 upper shelf**. Attach four **part U s-hooks** to the **part R rail**.



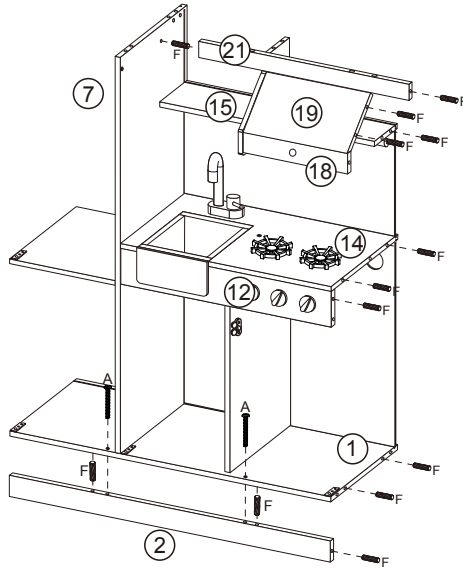
PRODUCT ASSEMBLY

19

Insert eight **part F** dowels to the oven section as shown.

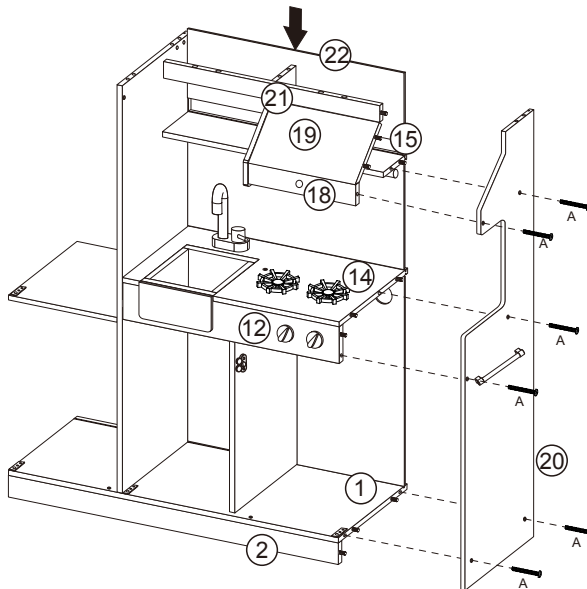
Insert two **part F** dowels to the **part 21** top panel, then attach the panel to the **part 7** long divider.

Insert three **part F** dowels to the **part 2** skirt, then attach the skirt to the **part 1** base.



20

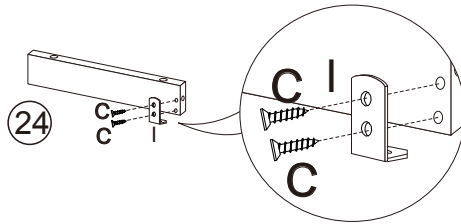
Slide in the **part 22** upper shelf back, then attach the **part 20** right side to the oven section with six **part A** screws.



PRODUCT ASSEMBLY

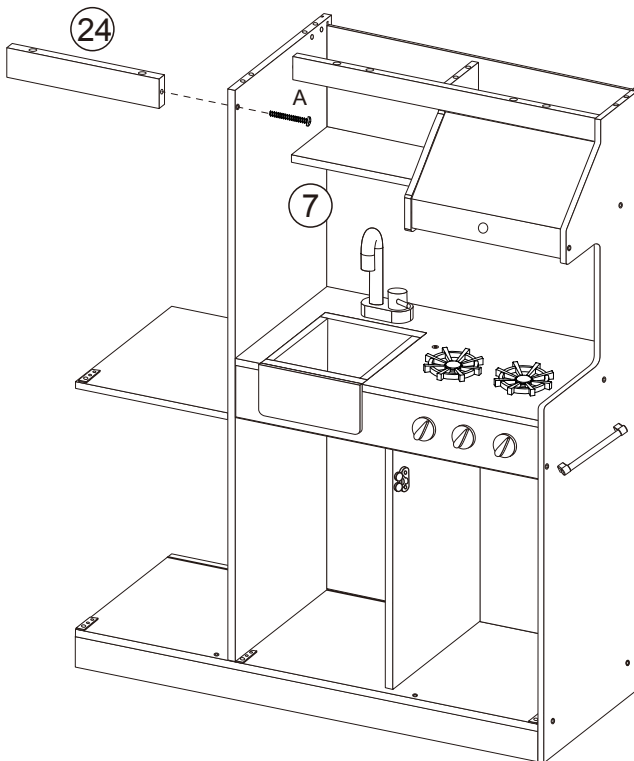
21

Attach one **part I** upper hinge to the **part 24** microwave upper panel with two **part C** screws.



22

Attach the **part 24** pantry upper panel to the **part 7** long divider with one **part A** screw.

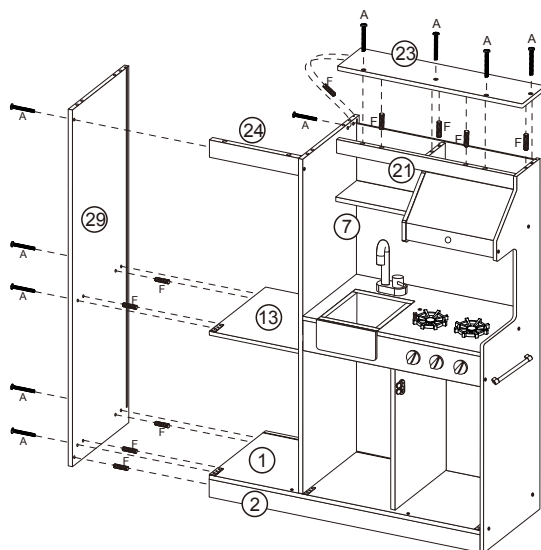


PRODUCT ASSEMBLY

23

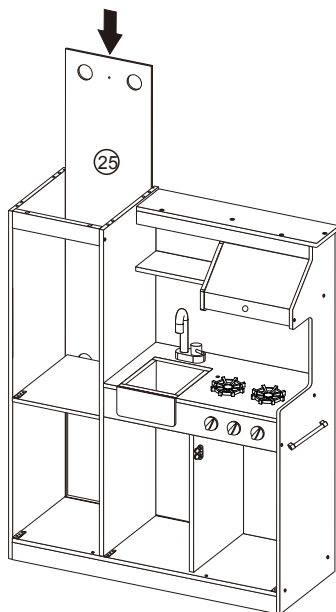
Insert five **part F** dowels to the **part 23 top board**, then attach the board to the **part 7 long divider**, **part 21 top**, and **part 20 right side** with five **part A** screws.

Insert five **part F** dowels to the **part 29 left side**, then attach the left side to the pantry/refrigerator section with five **part A** screws.



24

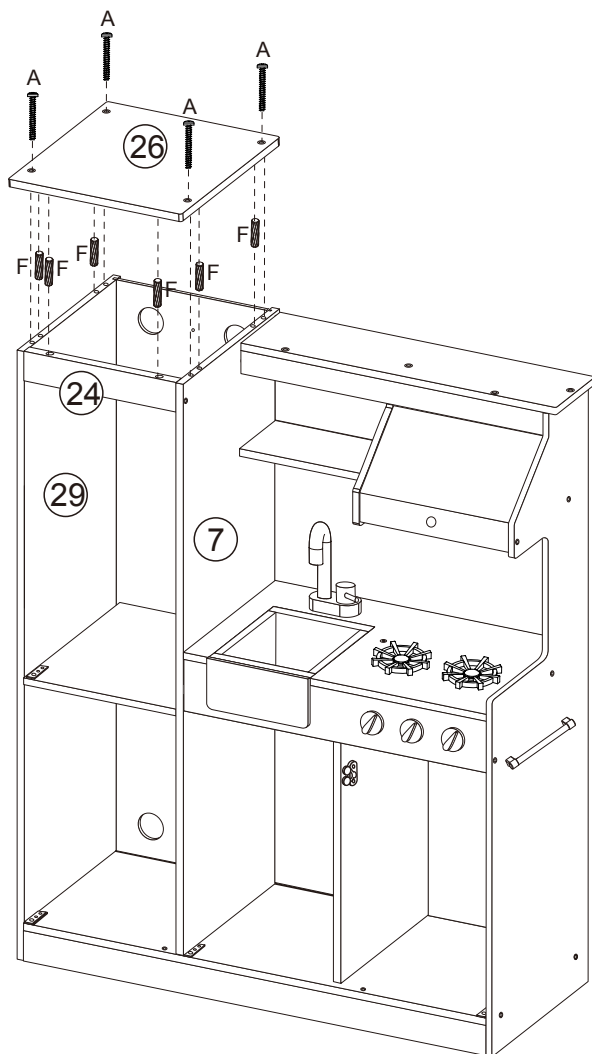
Slide the **part 25 pantry back** between the **part 29 left side** and the **part 7 long divider**.



PRODUCT ASSEMBLY

25

Insert six **part F** dowels to the **part 26** pantry top, then attach the panel on top of the microwave assembly with four **part A** screws.



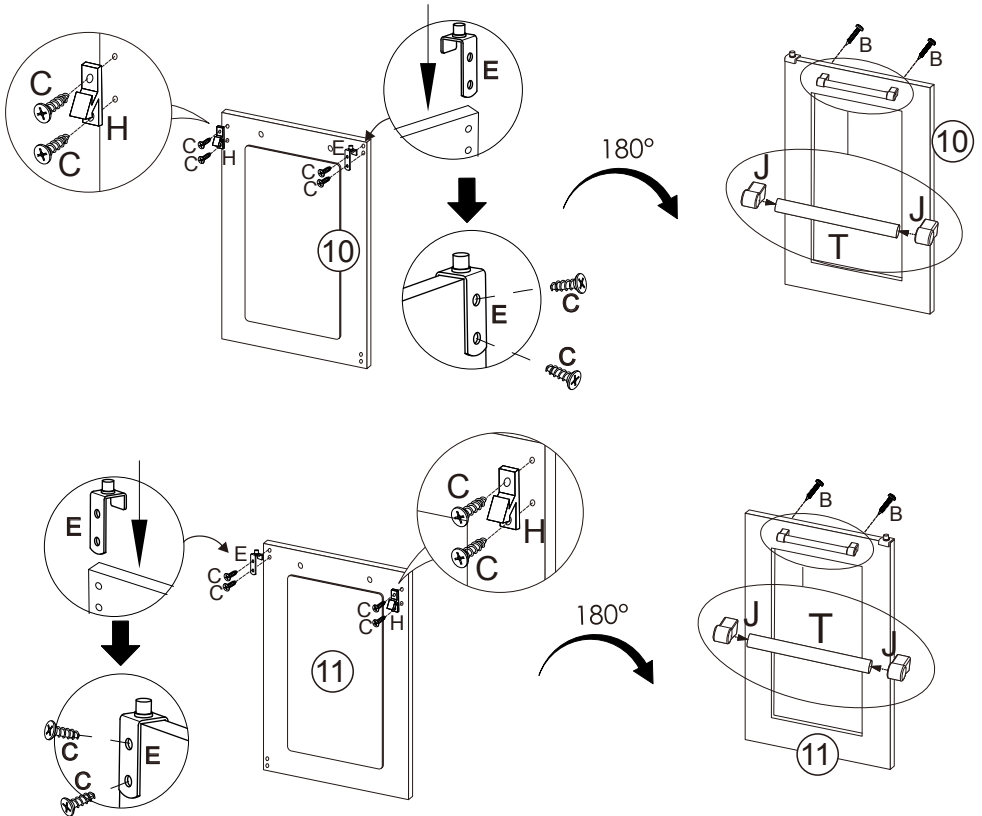
PRODUCT ASSEMBLY

26

Attach one **part H door insert** and one **part E hinge pegs** to the **part 10 sink cupboard door** with four **part C screws**.

Flip the door and attach two **part J handle holders** and the **part S handle** with two **part B screws**.

Repeat the steps for the **part 11 oven door**.



PRODUCT ASSEMBLY

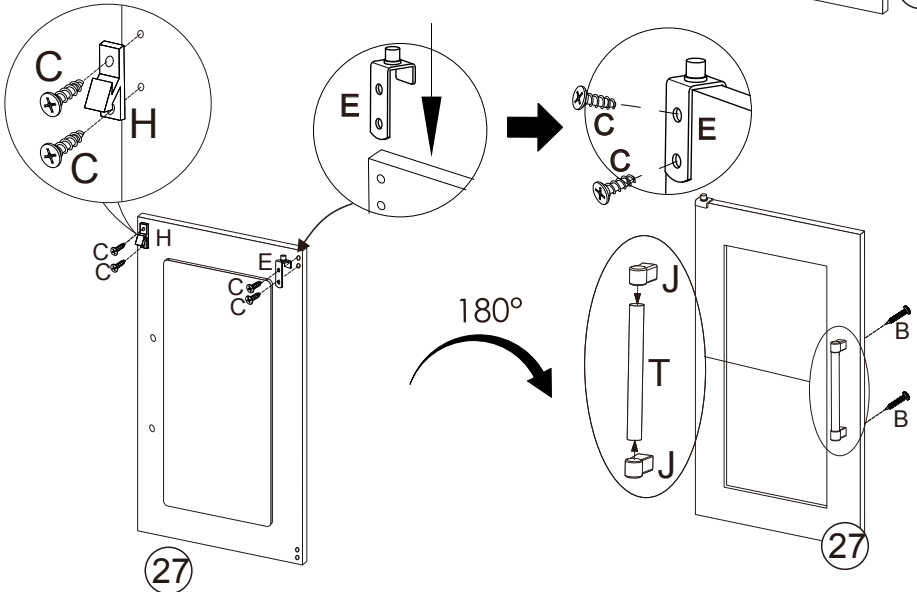
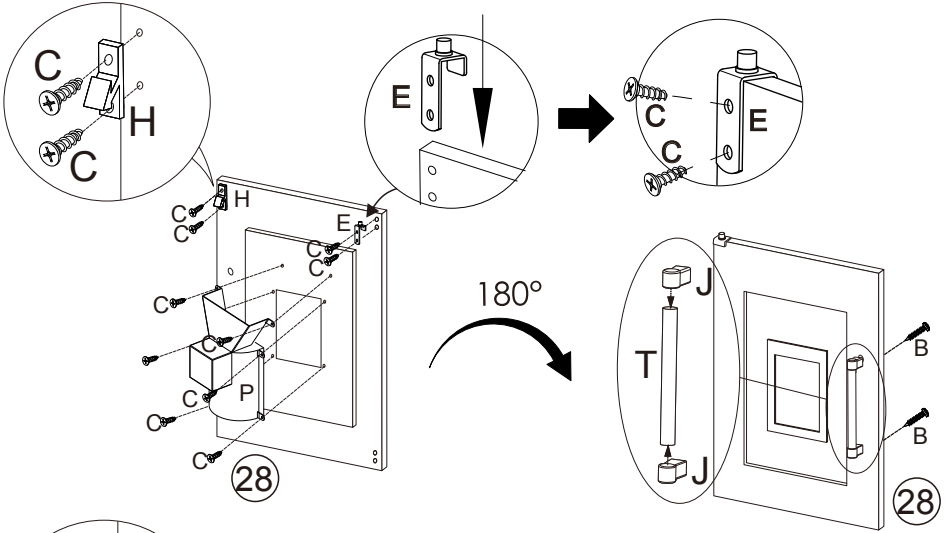
27

Attach one **part H door insert**, one **part E hinge peg**, and the **part P ice dispenser** to the **part 28 refrigerator door** with ten **part C screws**.

Flip the door and attach two **part B handle holders** and the **part T long handle** with two **part B screws**.

Attach one **part H door insert** and one **part E hinge peg** to the **part 27 pantry door** with four **part C screws**.

Flip the door and attach two **part J handle holders** and the **part T long handle** with two **part B screws**.



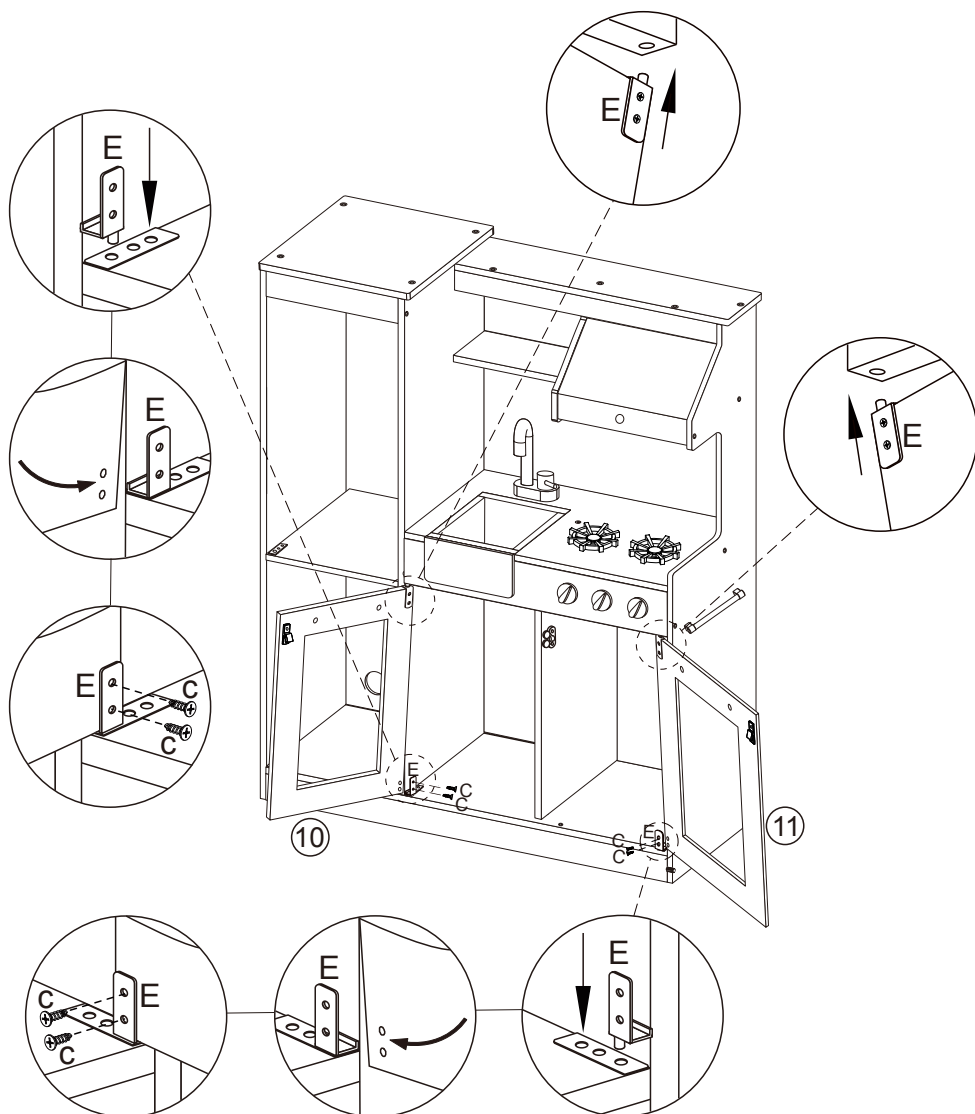
PRODUCT ASSEMBLY

28

Insert the hinge peg on the **part 10 sink cupboard door** into the opening on the **part 12 counter panel**.

Insert one **part E hinge peg** into the opening on the **part 1 base**, and then secure it to the **part 10 cupboard door** with two **part C screws**.

Repeat the steps for the **part 11 oven door**.



PRODUCT ASSEMBLY

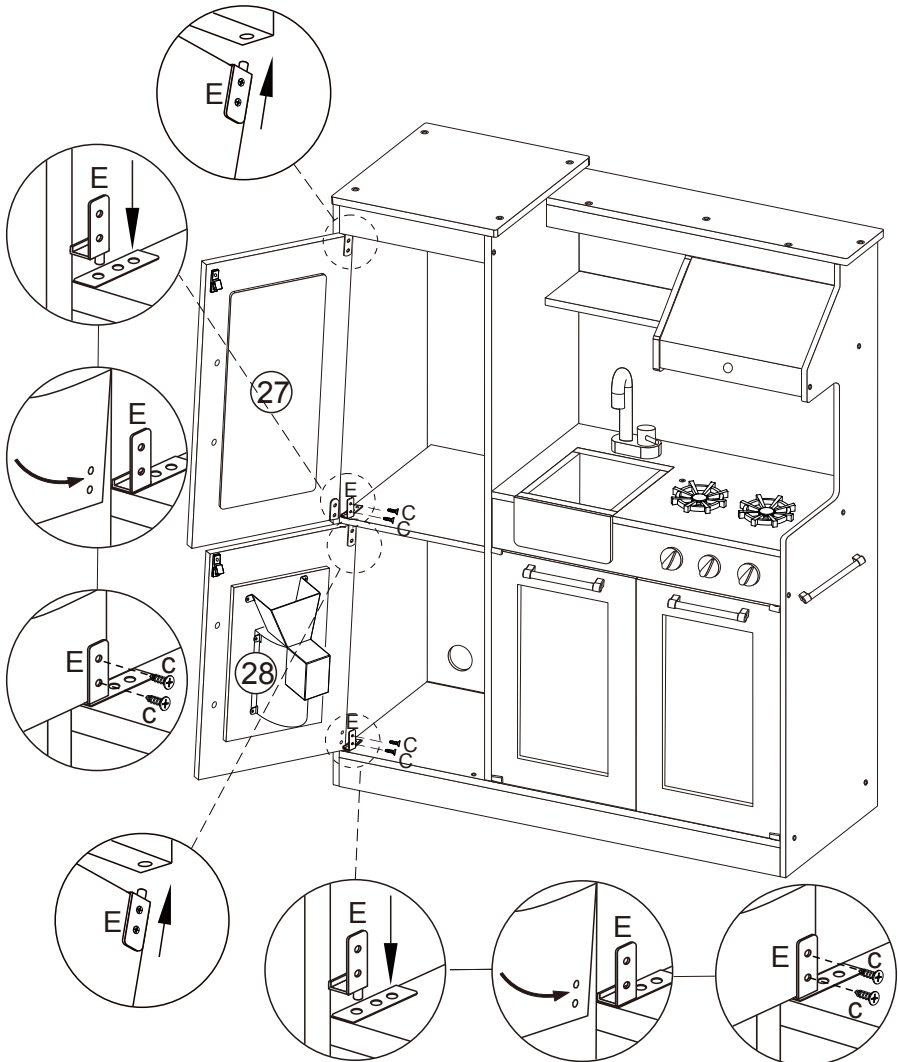
29

Insert the hinge peg on the **part 27 pantry door** into the opening on the **part 24 pantry upper panel**.

Insert one **part E hinge peg** into the opening on the **part 13 pantry divider**, and then secure it to the **part 27 microwave door** with two **part C screws**.

Insert the hinge peg on the **part 28 refrigerator door** into the opening on the **part 13 pantry divider**.

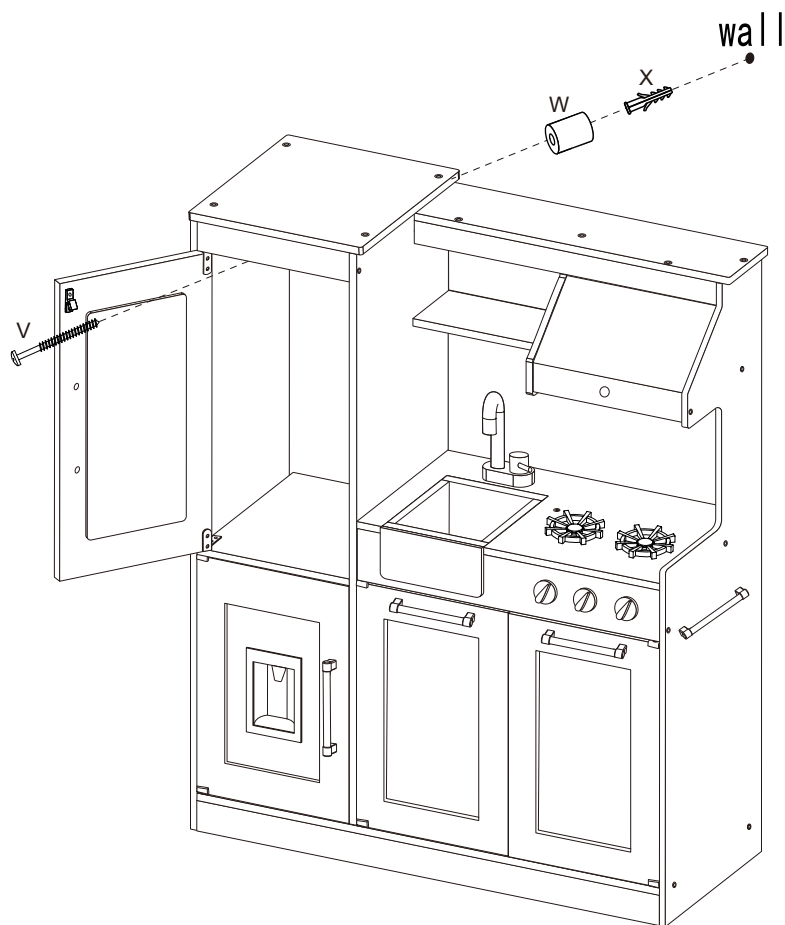
Insert one **part E hinge peg** into the opening on the **part 1 base**, and then secure it to the **part 28 refrigerator door** with two **part C screws**.



PRODUCT ASSEMBLY

30

Combine the **part V wall nail**, **part W wall spacer**, and **part X wall anchor** and use a hammer to drive the nail into the wall through the opening on the **part 25 pantry back**.



Earn points while you shop. Join today!

bestchoiceproducts
rewards

Join | Earn | Redeem

Give your friends 15% off their first order! For each successful referral you'll receive 100 points.

bestchoiceproducts.com



HELP CENTER



Question about your product? We're here to help. Visit us at:

help.bestchoiceproducts.com



Chat Support



Product Inquiry



Orders FAQ



Product Assembly



Returns & Refunds

PRODUCT WARRANTY INFORMATION

All items can be returned for any reason within 60 days of the receipt and will receive a full refund as long as the item is returned in its original product packaging and all accessories from its original shipment are included. All returned items will receive a full refund back to the original payment method. All returned items will not be charged a re-stocking fee.

All returned items require an RA (Return Authorization) number, which can only be provided by a Best Choice Products Customer Service Representative when the return request is submitted. Items received without an RA may not be accepted or may increase your return processing time. Once an item has been received by Best Choice Products, refunds or replacements will be processed within 5 business days.

All returns must be shipped back to the Best Choice Products Return Center at the customer's expense. If the reason for return is a result of an error by Best Choice Products then Best Choice Products will provide a pre-paid shipping label via email. Boxes for return shipping will not be provided by Best Choice Products, and is the customer's responsibility to either use the original shipping boxes or purchase new boxes.

Pictures may be required for some returns to ensure an item is not damaged prior to its return. Items returned are not considered undamaged until they are received by Best Choice Products and verified as such. All damages to items are the customer's responsibility until the item has been received by and acknowledged by Best Choice Products as undamaged.

© Best Choice Products, Inc. All rights reserved. Distributed by Best Choice Products, Inc. Newport Beach, CA 92660

WARNING

Manufacturer and seller expressly disclaim any and all liability for personal injury, property damage or loss, whether direct, indirect, or incidental, resulting from the incorrect attachment, improper use, inadequate maintenance, unapproved modification, or neglect of this product.