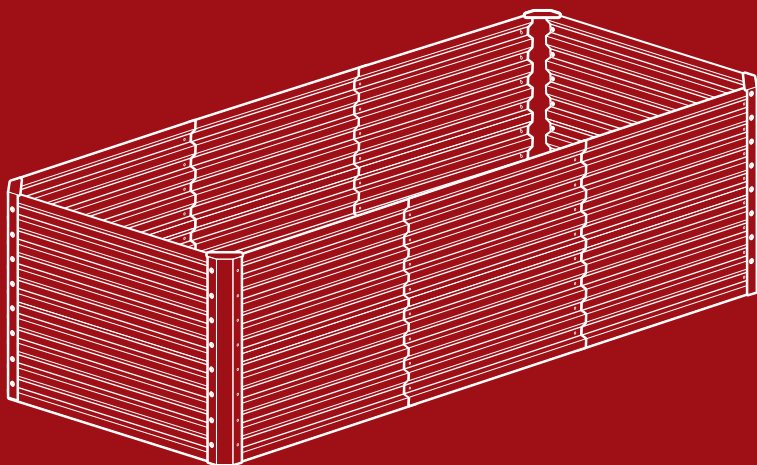




BEST CHOICE  
PRODUCTS



# INSTRUCTION MANUAL

---

4x2x2 Rectangular Garden Bed

SKY6637 + SKY6638 + SKY7358 + SKY7359 + SKY7360 + SKY7362  
SKY7363



**BEST CHOICE  
PRODUCTS**

---

As shoppers, we're always trying to find the perfect balance between quality & value. At BCP, we believe we've achieved that. Our diverse catalog of everyday essentials is tailored especially to our customers & guaranteed to hit that sweet spot of high quality & low price.

———— Always. ————

## ! NOTICE

Please retain these instructions for future reference.

- Do not stand on or use any part of this item as a step ladder.
- Firmly secure all bolts, screws, and knobs before use.
- Reconfirm that all bolts, screws, and knobs are secure every 90 days.
- Be aware that some parts are heavy and have sharp edges.
- If any parts are missing, broken, damaged, or worn, stop using this product until repairs are made and/or factory replacement parts are installed.
- Do not use this item in a way that is inconsistent with the manufacturer's instructions as this could void the product warranty.
- This product contains small parts for assembly. Keep small children and pets away during assembly.
- This product is intended for residential use only.

## TOOLS REQUIRED



PHILLIPS  
SCREWDRIVER



2 PERSON  
ASSEMBLY



UP TO 45-60 MIN.  
ASSEMBLY

## HARDWARE

**1** M6 X 15MM  
SCREW



96 PCS

**2** M6 WASHER



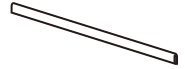
96 PCS

**3** M6 WINGNUT



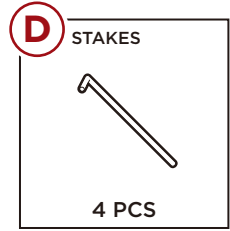
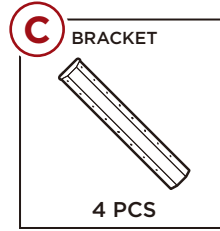
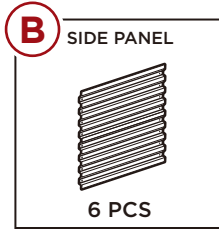
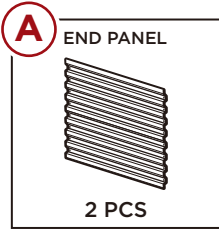
96 PCS

**4** RUBBER  
BUMPER



2 SHORT/2 LONG

## PARTS

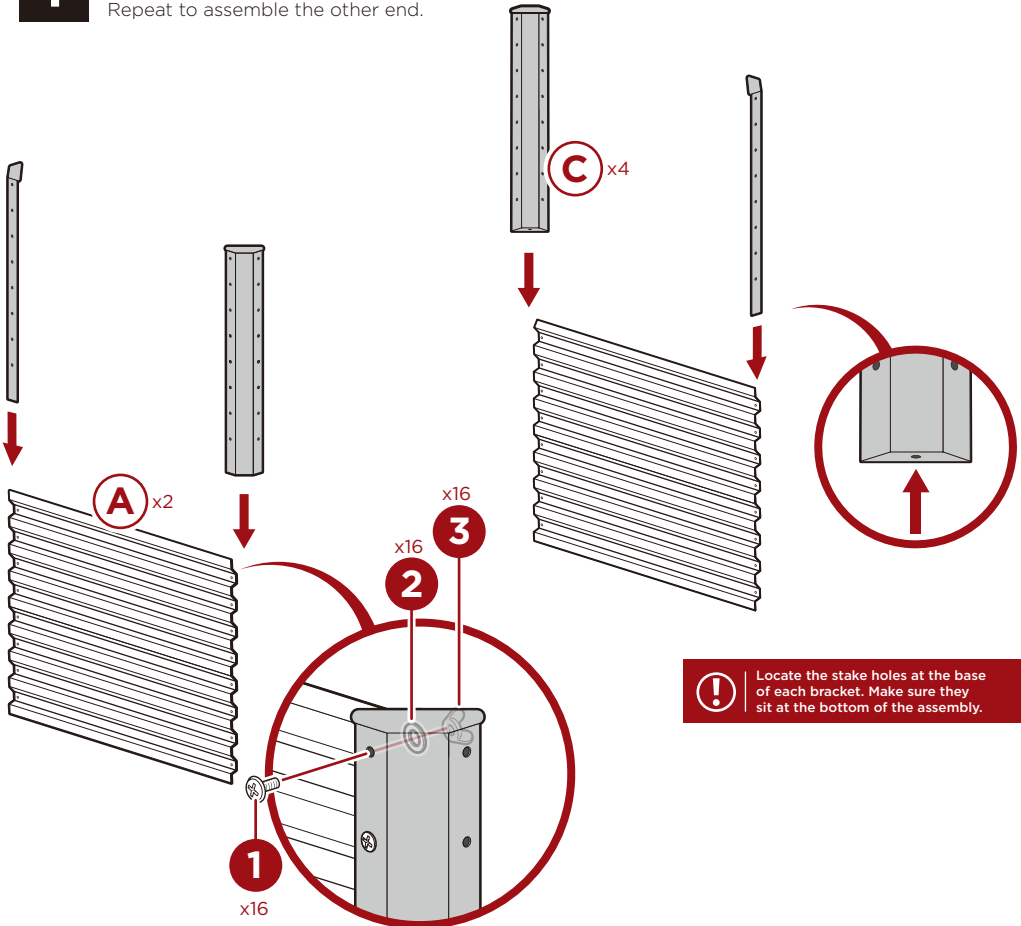


## PRODUCT ASSEMBLY

1

Attach one **part A end panel** to two **part C brackets** with sixteen **part 1 screws**, sixteen **part 2 washers**, and sixteen **part 3 wingnuts**.

Repeat to assemble the other end.

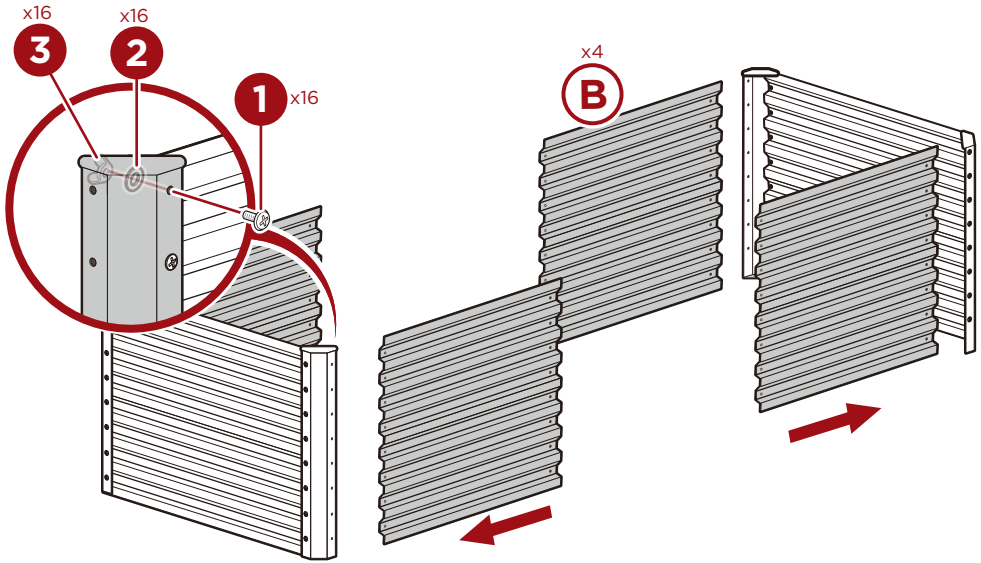


## PRODUCT ASSEMBLY

2

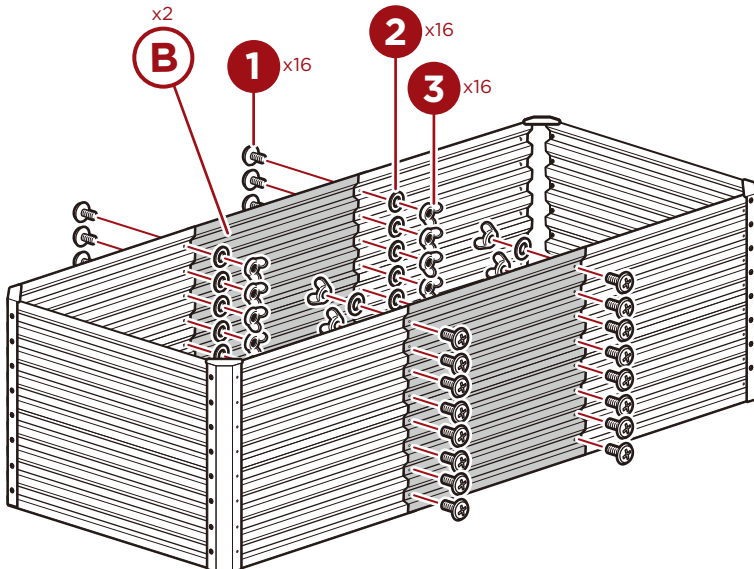
Attach two **part B** side panels to the **part C** brackets with sixteen **part 1** screws, sixteen **part 2** washers, and sixteen **part 3** wingnuts.

Repeat to assemble the other end.



3

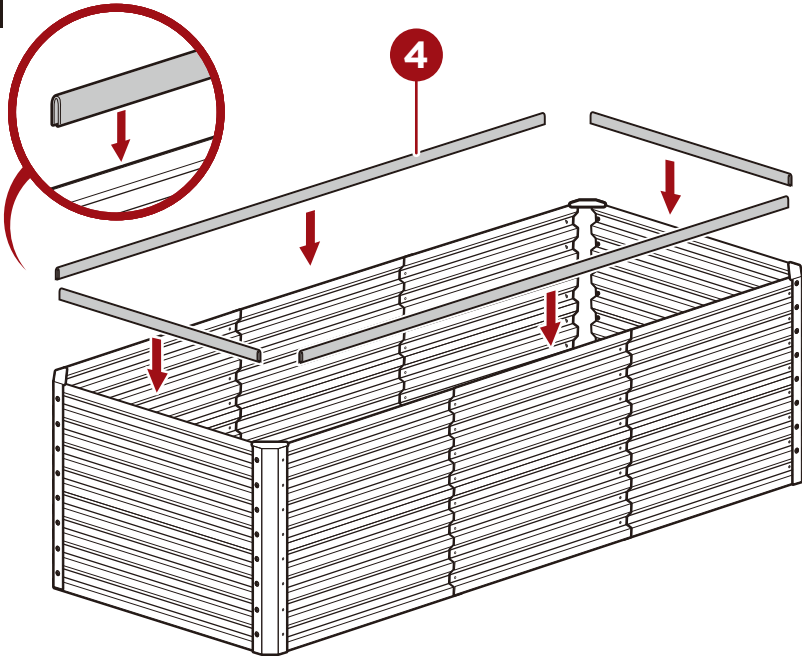
Connect the two assemblies by connecting one **part B** side panel to the two side panels of the end assemblies with sixteen **part 1** screws, sixteen **part 2** washers, and sixteen **part 3** wingnuts. Repeat to assemble the other side.



## PRODUCT ASSEMBLY

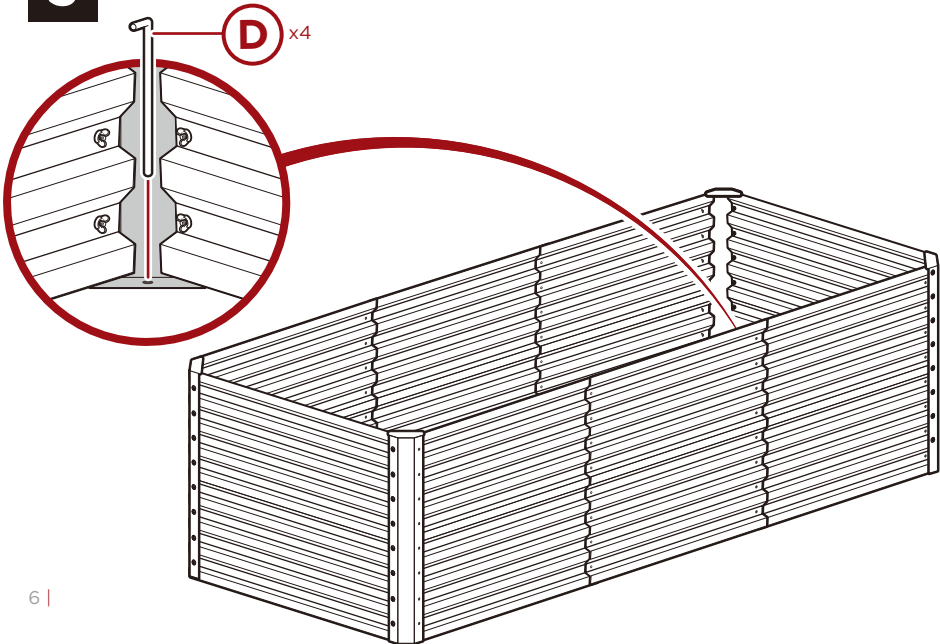
4

Place the **part 4 rubber bumper** onto the top edges of the assembled garden bed.



5

Secure the brackets to the ground with four **part D ground stakes**.



Earn points while you shop. Join today!

bestchoiceproducts  
**rewards**

Join | Earn | Redeem

Give your friends 15% off their first order! For each successful referral you'll receive 100 points.

[bestchoiceproducts.com](https://bestchoiceproducts.com)



# HELP CENTER



Question about your product? We're here to help. Visit us at:

[help.bestchoiceproducts.com](https://help.bestchoiceproducts.com)



Chat Support



Product Inquiry



Orders FAQ



Product Assembly



Returns & Refunds

## PRODUCT WARRANTY INFORMATION

All items can be returned for any reason within 60 days of the receipt and will receive a full refund as long as the item is returned in its original product packaging and all accessories from its original shipment are included. All returned items will receive a full refund back to the original payment method. All returned items will not be charged a re-stocking fee.

All returned items require an RA (Return Authorization) number, which can only be provided by a Best Choice Products Customer Service Representative when the return request is submitted. Items received without an RA may not be accepted or may increase your return processing time. Once an item has been received by Best Choice Products, refunds or replacements will be processed within 5 business days.

All returns must be shipped back to the Best Choice Products Return Center at the customer's expense. If the reason for return is a result of an error by Best Choice Products then Best Choice Products will provide a pre-paid shipping label via email. Boxes for return shipping will not be provided by Best Choice Products, and is the customer's responsibility to either use the original shipping boxes or purchase new boxes.

Pictures may be required for some returns to ensure an item is not damaged prior to its return. Items returned are not considered undamaged until they are received by Best Choice Products and verified as such. All damages to items are the customer's responsibility until the item has been received by and acknowledged by Best Choice Products as undamaged.

© 2023 Best Choice Products, Inc. All rights reserved. Distributed by Best Choice Products, Inc. Tustin, CA 92780

## WARNING

Manufacturer and seller expressly disclaim any and all liability for personal injury, property damage or loss, whether direct, indirect, or incidental, resulting from the incorrect attachment, improper use, inadequate maintenance, unapproved modification, or neglect of this product.