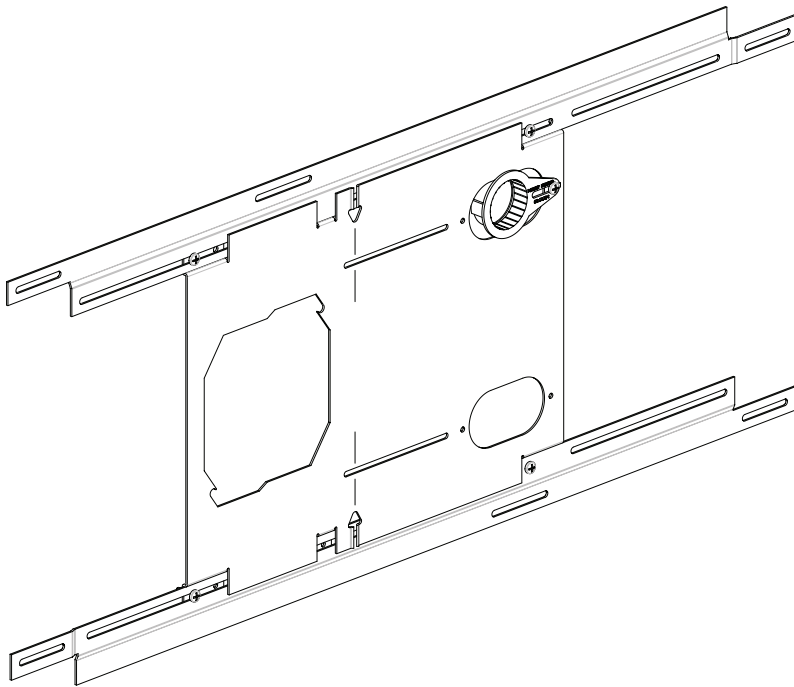


## INSTALLATION INSTRUCTIONS OPTIMA<sup>®</sup> ES-S FLUSHOMETER ELECTRICAL BOX POSITIONING AND SUPPORT KIT FOR EXPOSED CLOSET AND URINAL INSTALLATIONS



**EL-485-A Closet Positioning and Support Kit**  
**EL-518-A Urinal Positioning and Support Kit**

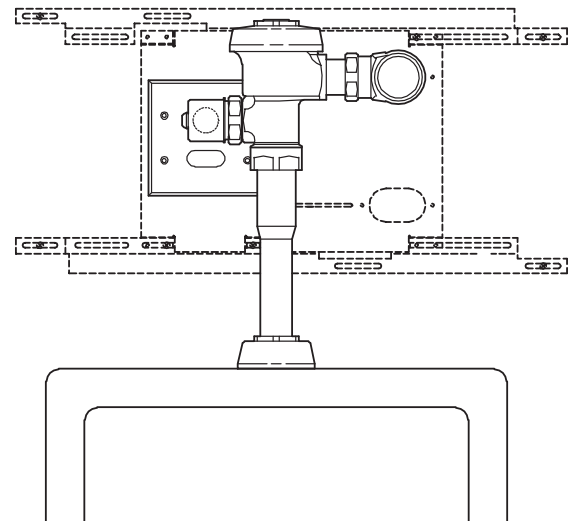
### EL-485-A and EL-518-A

Optima ES-S Flushometer Electrical Box Positioning and Support Kit

For Installation with Sloan Exposed Optima ES-S Flushometer Models

NOTE: NOT required for ES-S TMO Flushometers

**NOTE**  
**FOR REGAL AND SLOAN ES-S FLUSHOMETERS ONLY. NOT FOR ROYAL OR ES-S TMO FLUSHOMETERS**



This manual only covers installation of the Optima ES-S Flushometer Electrical Box Positioning and Support Kit. Please use these instructions in conjunction with the separate installation instructions included with each ES-S Flushometer.

The Sloan Optima ES-S Flushometer Electrical Box Positioning and Support Kit is designed to accurately position and ease installation of the Electrical Box on exposed closet and urinal models.

The Electrical Box Positioning and Support Kit is furnished complete with a positioning plate, mounting rails, pipe support and fasteners.

The following instructions will serve as a guide when installing the Sloan ES-S Flushometer Electrical Box Positioning and Support Kit. As always, good safety practices and care are recommended when installing your new Electrical Box Positioning and Support Kit. If further assistance is required, contact your nearest Sloan Representative office or Sloan's Installation Engineering department.

### LIMITED WARRANTY

Sloan Valve Company warrants its Optima ES-S Flushometer Electrical Box Positioning and Support Kit to be made of first class materials, free from defects of material or workmanship under normal use and to perform the service for which it is intended in a thoroughly reliable and efficient manner when properly installed and serviced, for a period of three years from date of purchase. During this period, Sloan Valve Company will, at its option, repair or replace any part or parts which prove to be thus defective if returned to Sloan Valve Company, at customer's cost, and this shall be the sole remedy available under this warranty. No claims will be allowed for labor, transportation or other incidental costs. This warranty extends only to persons or organizations who purchase Sloan Valve Company's products directly from Sloan Valve Company for purpose of resale.

**THERE ARE NO WARRANTIES WHICH EXTEND BEYOND THE DESCRIPTION ON THE FACE HEREOF. IN NO EVENT IS SLOAN VALVE COMPANY RESPONSIBLE FOR ANY CONSEQUENTIAL DAMAGES OF ANY MEASURE WHATSOEVER.**

## PRIOR TO INSTALLATION

Prior to installing the Sloan Optima ES-S Flushometer Electrical Box Positioning and Support Kit, install the items listed below:

- Drain line
- Wall studs; metal (preferred), or wood
- Water supply line

The plumber installs the Sloan ES-S Flushometer Electrical Box Positioning and Support Kit when the water supply line is installed. Refer to the following instructions and illustrations for assembly and mounting procedures.

Once the Positioning and Support Kit is installed, the following must be completed:

- Electrical wiring
- Finish wall
- Mount fixture

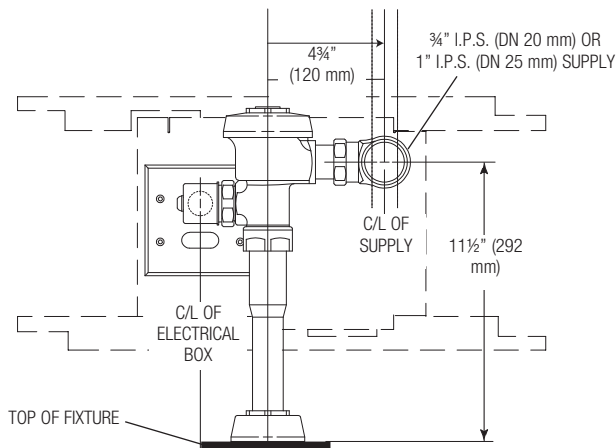
## TOOLS REQUIRED FOR INSTALLATION

- Phillip's and straight blade screwdriver
- 5/64" Hex wrench
- Plumb line
- Utility knife or scissors

- 1 Install and position the water supply line as required for the fixture. (Water supply line may be installed either to the left or right of the fixture.)

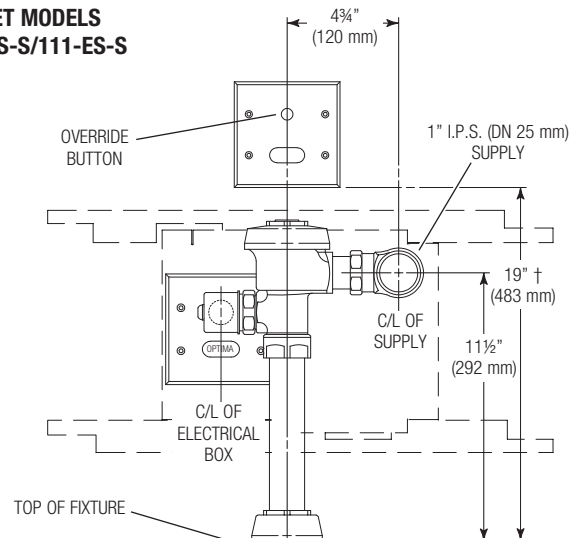
### URINAL MODELS

#### 180-ES-S & 186-ES-S



### CLOSET MODELS

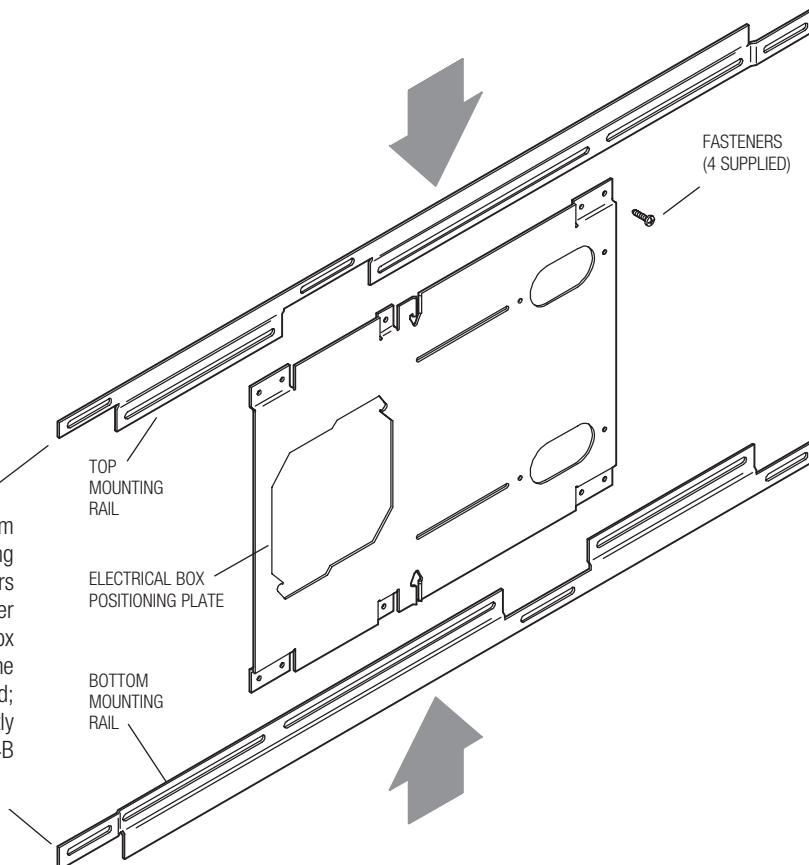
#### 110-ES-S/111-ES-S



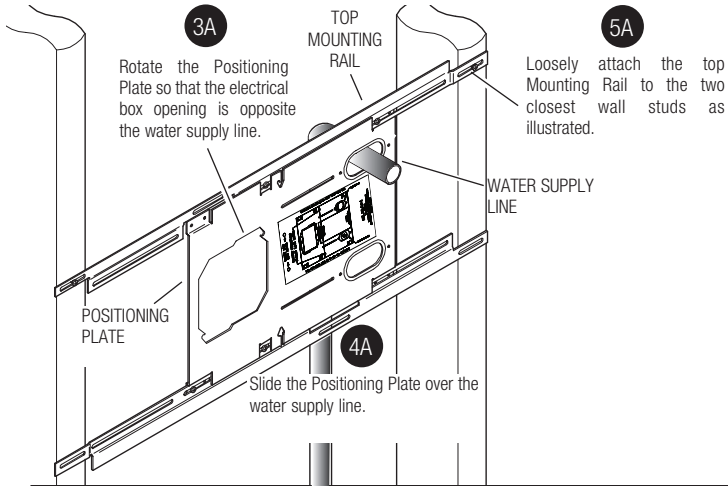
† Position of Sensor Box can be raised or lowered 1" (25 mm) if in conflict with Handicap Grab Bars.

2

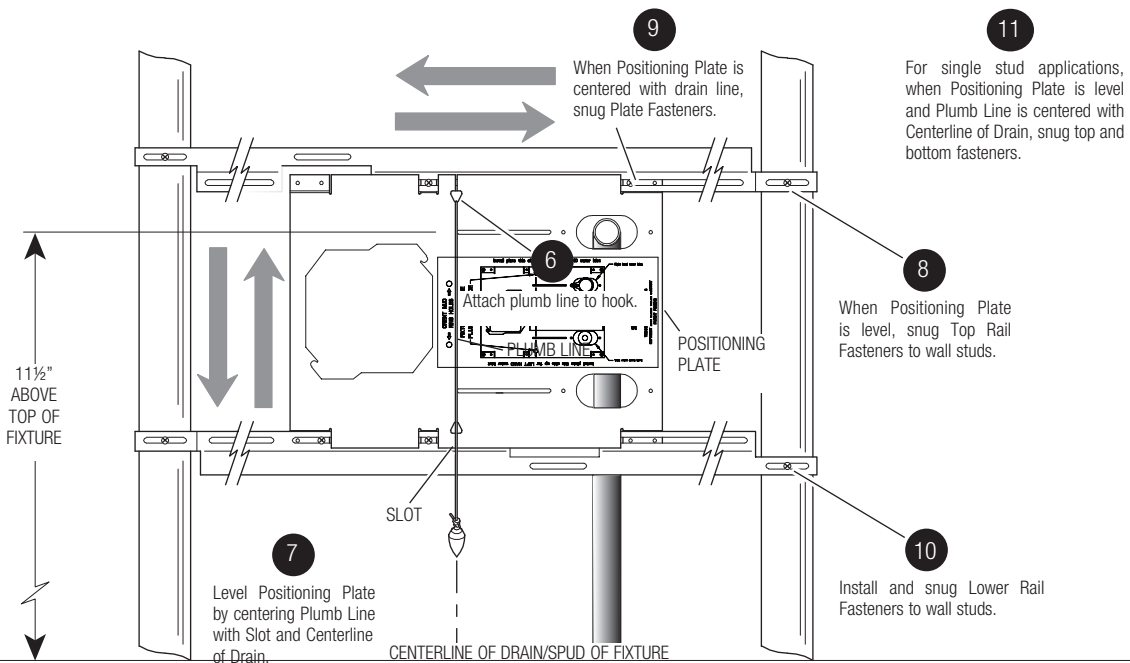
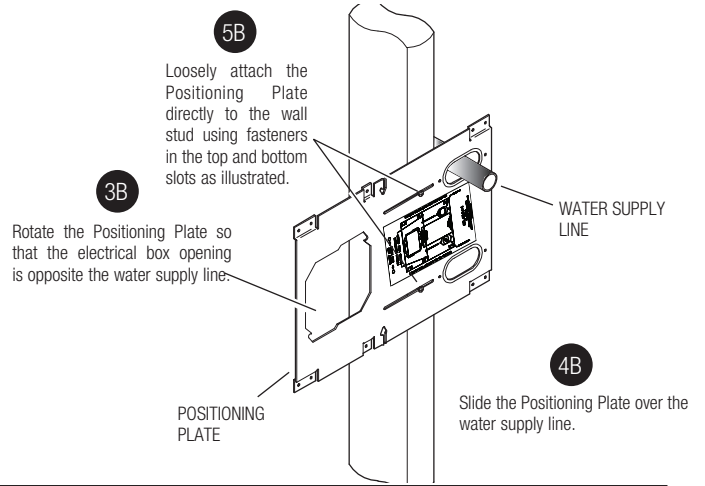
Attach the top and bottom Mounting Rails to the Positioning Plate using four (4) fasteners supplied. **Note:** If the water supply line and electrical box are separated by a stud, the Mounting Rails are not required; mount Positioning Plate directly to the stud (refer to Steps 4B through 6B).



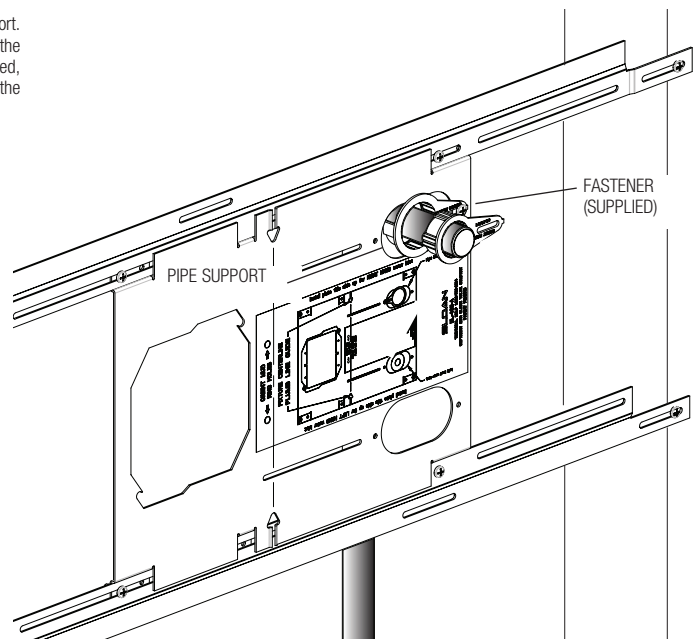
**For Applications Where Water Supply Line and Electrical Box are Located Between Studs  
(Follow Steps 3A through 5A)**



**For Applications Where Stud Separates Water Supply Line and Electrical Box  
(Follow Steps 3B through 5B)**



**12** One inch iron pipe is used alone with the positioning plate and does not require a pipe support. To use pipe supports, separate the two pipe supports using a utility knife or scissors. Install the large pipe support over all other pipe and tubing sizes. If a 3/4" copper tube supply line is used, install the small pipe support on top of the large pipe support. Attach the pipe support(s) to the positioning plate using the fastener provided. Either mounting hole may be used.



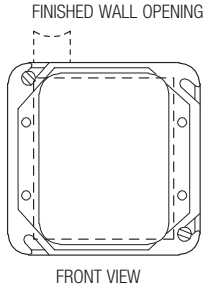
# WATER CLOSET INSTALLATIONS

14A

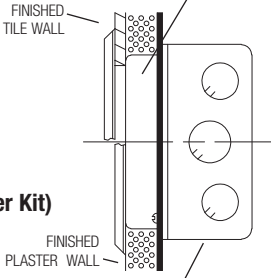
**NOTE: INSTALL PLASTER RING SO THAT SCREW HOLES ARE ON THE LEFT AND RIGHT SIDE OF BOX ON ALL ELECTRICAL BOXES USED, BOTH URINAL & CLOSETS**

Install the plaster ring of the required depth to the electrical box leaving the screws loose (approximately one-half out).

Install the electrical box assembly into the opening from behind the positioning plate. The opening is designed so that the electrical box is inserted at an angle and rotated into position. Once the electrical box is rotated into place, firmly tighten the screws.



4" (102 mm) SQ. BOX DEVICE COVER (PLASTER RING) 3/4" (19 mm) HIGH — APPLETON ELECT. #8470 OR EQUAL (BY CONTRACTOR)



- Complete electrical wiring
- Finish wall
- Mount fixture

## Water Closet Installations (EL-512 Adaptor Kit)

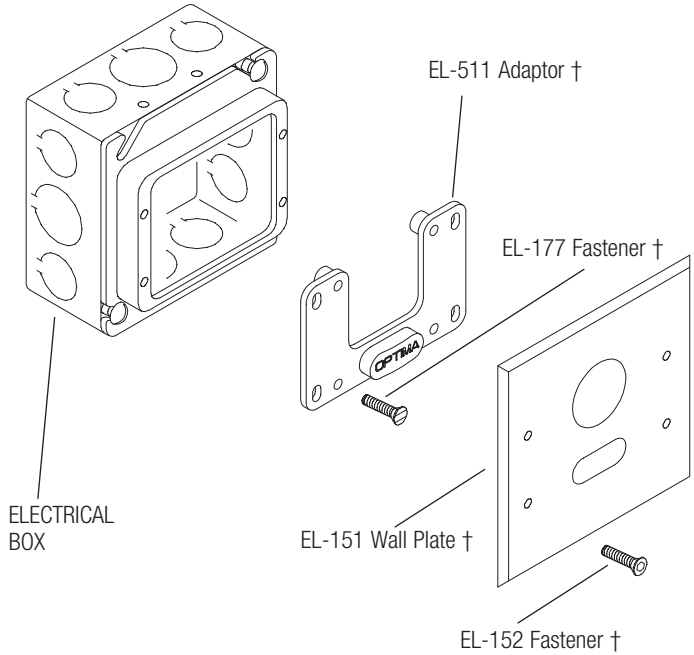
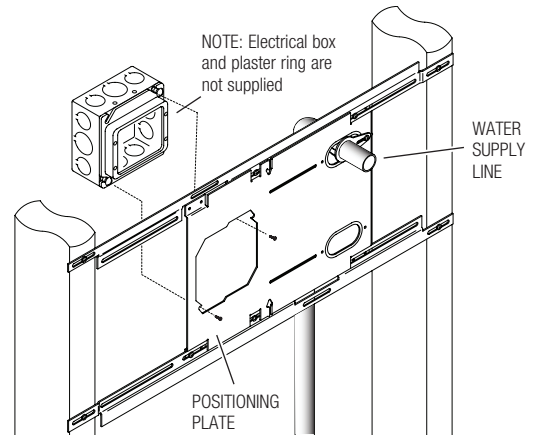
When using the EL-485-A Positioning and Support Kit for a water closet installation, the EL-151 Urinal Wall Plate must be used. Discard the wall plate furnished with flushometer.

Do not use the solenoid plate included in the flushometer box.

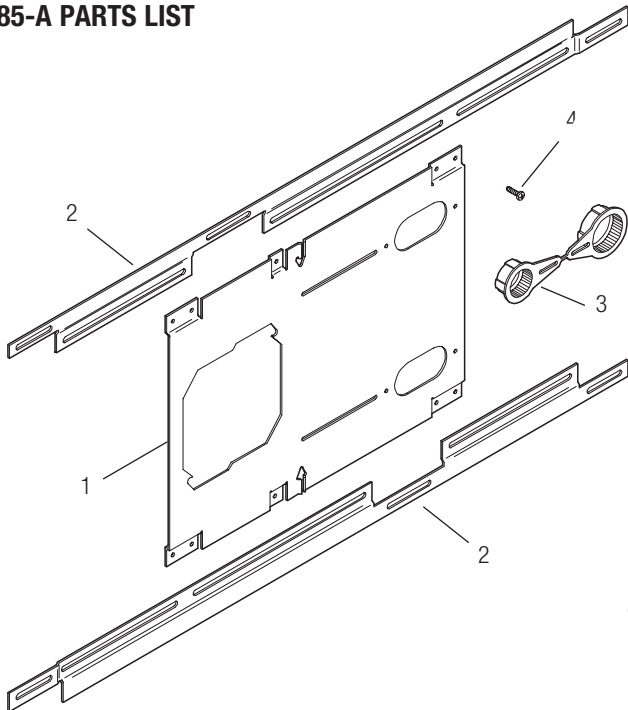
Attach the EL-511 adaptor to the plaster ring using the four (4) EL-177 #6-32 Flat Head fasteners provided. The EL-151 wall plate will then fit over the adaptor which will plug the oval opening in the plate.

Note: If the EL-485-A Positioning and Support Kit is being installed prior to having the ES-S valve on the jobsite, temporarily attach the EL-151 Plate to the Adaptor with the EL-152 Socket Head Fasteners.

Remove and reattach the Plate when installing the flushometer. Do not use the solenoid wall plate furnished with the valve. It is replaced with the EL-512-A.



## EL-485-A PARTS LIST

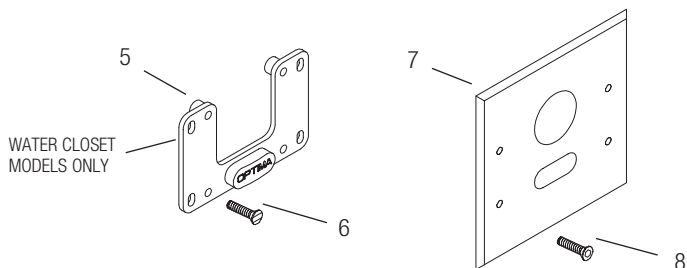


† These items are packaged together as the EL-512-A adaptor kit.

### EL-485-A Closet Flushometer Electrical Box Positioning and Support Kit

Item No.	Part No.	Description
1	EL-486	Electrical Box Positioning Plate
2	EL-487	Mounting Rails (2 supplied)
3	EL-488	Water Supply Pipe Support
4	EL-489	Fasteners (5 supplied)
5 ‡	EL-511	Adaptor (for water closet models only)
6 ‡	EL-177	Fasteners (4 supplied)
7 ‡	EL-151	Wall Plate
8 ‡	EL-152	Fasteners (4 supplied)

‡ May be purchased together as EL-512 wall plate adaptor kit (order code: 3345046) replaces solenoid wall plate in flushometer box.



## URINAL INSTALLATIONS

14B

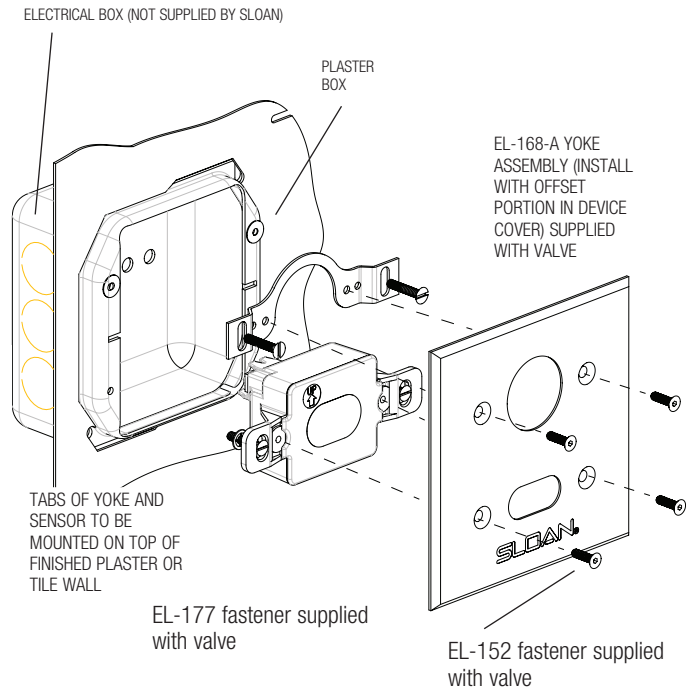
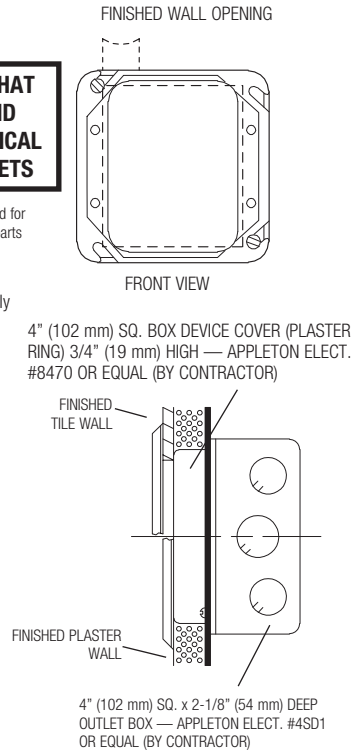
**NOTE: INSTALL PLASTER RING SO THAT SCREW HOLES ARE ON THE LEFT AND RIGHT SIDE OF BOX ON ALL ELECTRICAL BOXES USED, BOTH URINAL & CLOSETS**

When the EL-485-A closet positioning and support kit is used for a urinal installation, the EL-512-A kit is not used. (all other parts are the same).

Install the plaster ring of the required depth to the electrical box leaving the screws loose (approximately one-half out).

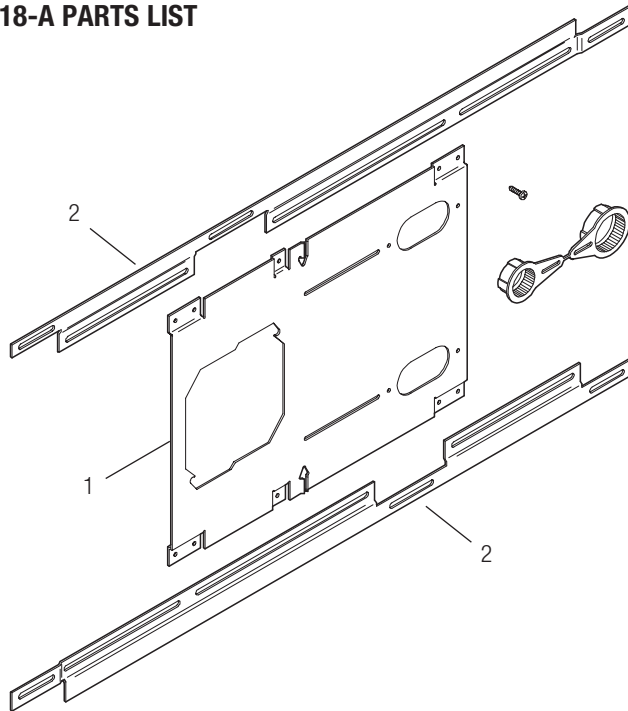
Install the electrical box assembly into the opening from behind the positioning plate. The opening is designed so that the electrical box is inserted at an angle and rotated into position. Once the electrical box is rotated into place, firmly tighten the screws.

- Complete electrical wiring
- Finish wall
- Mount fixture



FOR SENSOR AND YOKE INSTALLATION REFER TO COMPLETE VALVE INSTALLATION INSTRUCTIONS  
(Sensor and Yoke supplied with Flushometer Valve)

## EL-518-A PARTS LIST



EL-518-A Closet Flushometer Electrical Box Positioning and Support Kit

Item No.	Part No.	Description
1	EL-486	Electrical Box Positioning Plate
2	EL-487	Mounting Rails (2 supplied)
3	EL-488	Water Supply Pipe Support
4	EL-489	Fasteners (5 supplied)

NOTICE:  
The information contained in this document is subject to change without notice.

**SLOAN**

Copyright © 2017 SLOAN VALVE COMPANY

SLOAN • 10500 Seymour Avenue • Franklin Park, IL 60131  
Phone: 1-800-9-VALVE-9 or 1-847-671-4300 • Fax: 1-800-447-8329 or 1-847-671-4380  
sloan.com

Printed in the U.S.A.  
0816541 Rev.3 (08/17)