

SONANCE

PATIO SERIES OUTDOOR AUDIO SYSTEM

4 SATELLITES | 4 GROUND STAKES | 1 SUBWOOFER | 1 SR 2-125 AMPLIFIER*



Patio Series 4.1 System w/ Amplifier
SKU 93430

Patio Series 4.1 System (no amp)
SKU 93429

AESTHETICS

- Non-corroding, high heat ABS sealed enclosure

PERFORMANCE

- 8 Ohms impedance matched system
- 8" dual voice coil subwoofer
- Perfectly even coverage for comfortable listening in areas up to 1,000 sq. ft. (~100m²) (depending on property layout)

INSTALLATION

- Compatible with Sonance 19" ground stakes
- Complete 4.1 System configuration on a single two-channel amplifier
- Expandable for up to 8.2 configuration

* System available with or without amplifier

SONANCE PATIO SERIES

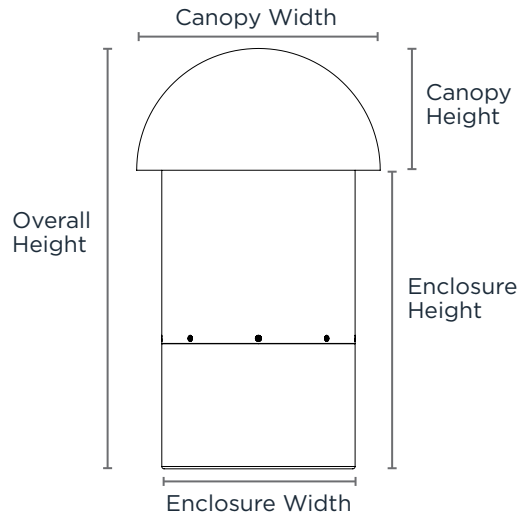
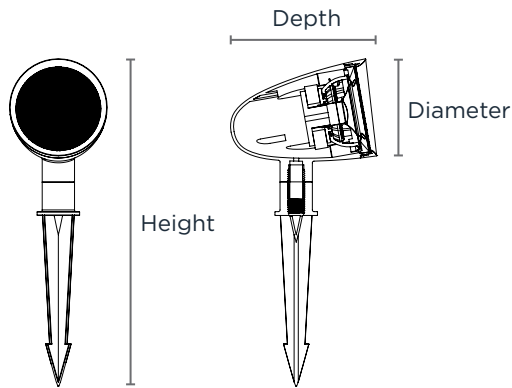
DIMENSIONS

PATIO SAT

Diameter:	4.50" (115mm)
Height:	15.17" (385mm)
Depth:	7.20" (184mm)

PATIO SUB

Canopy Width:	12.40" (315mm)
Enclosure Width:	9.84" (250mm)
Canopy Height:	6.20" (157.5mm)
Enclosure Height:	15.20" (386.2mm)
Overall Height:	21.41" (543.7mm)



SPECIFICATIONS

Woofer:

Frequency Response:	40Hz - 20kHz +/-3dB (System)
Crossover Frequency:	125Hz
Impedance:	16 Ohms nominal
System Impedance:	8 Ohms nominal
Power Handling:	50 watts minimum; 150 watts maximum
Sensitivity:	85dB 2.83V / 1 meter
Enclosure Material:	High-heat ABS sealed enclosure, Non-corroding

PATIO SATELLITE SPEAKER

3.5" (98mm) Anodized aluminum cone & Santoprene™ surround
40Hz - 20kHz +/-3dB (System)
125Hz
16 Ohms nominal
8 Ohms nominal
50 watts minimum; 150 watts maximum
85dB 2.83V / 1 meter
High-heat ABS sealed enclosure, Non-corroding
1/2" NPS (National Pipe Standard)
6.75" x 4.5" (171.35mm x 115mm)
68 lbs (31kg) System

PATIO SUBWOOFER

8" (203mm) dual voice coil, polypropylene & Santoprene surround
40Hz - 20kHz +/-3dB (System)
100Hz
8 Ohms nominal per voice coil
8 Ohms nominal
150 Watts
89dB Sensitivity @ 2.83V / 1 meter
High-heat ABS sealed enclosure, Non-corroding
-
21.4" x 12.4" (544mm x 315mm)
68 lbs (31kg) System

Mounting Threads:

Dimensions (L x Dia.):	6.75" x 4.5" (171.35mm x 115mm)
Shipping Weight:	68 lbs (31kg) System

SR 2-125 AMPLIFIER

Power Output (RMS):	125 watts (2-channels driven at 8 Ohms)
Dimensions w/ feet (WxHxD):	8.625" x 2.125" x 16.8125" (219mm x 54mm x 427mm)
Rack Space Requirement:	1U-Half Rack width

LIMITED THREE (3) YEAR WARRANTY

Sonance warrants to the first end-user purchaser that this Sonance-brand product ("Product"), when purchased from an authorized Sonance Dealer/Distributor, will be free from defective workmanship and materials for the period stated above. Sonance will, at its option and expense, either repair the defect or replace the Product with a new or remanufactured Product or a reasonable equivalent. **Please visit our website and owner's e-Manual for complete warranty and exclusion information.**

©2020 Sonance. All rights reserved. Sonance is a registered trademarks of Dana Innovations. Due to continuous product improvement, all features and specifications are subject to change without notice. For the latest Sonance product specification information visit our website: www.sonance.com