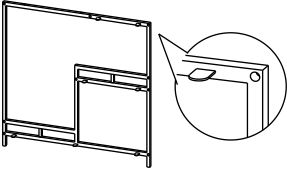
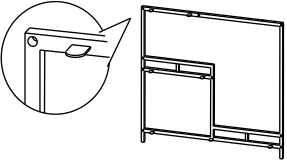
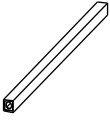

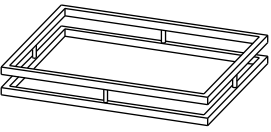
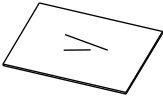
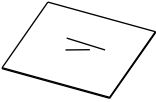
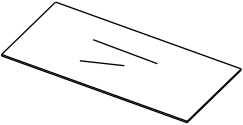
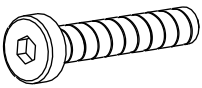
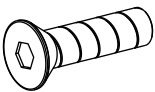
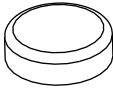
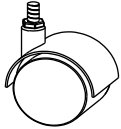
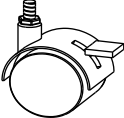




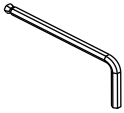
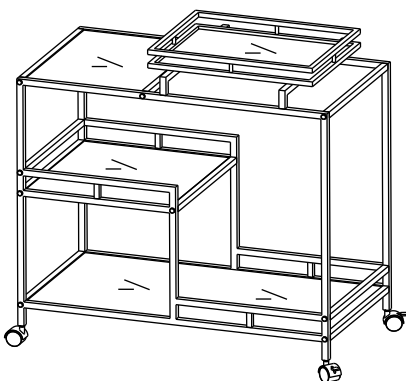


ASSEMBLY INSTRUCTION

BAR CART WITH MIRROR

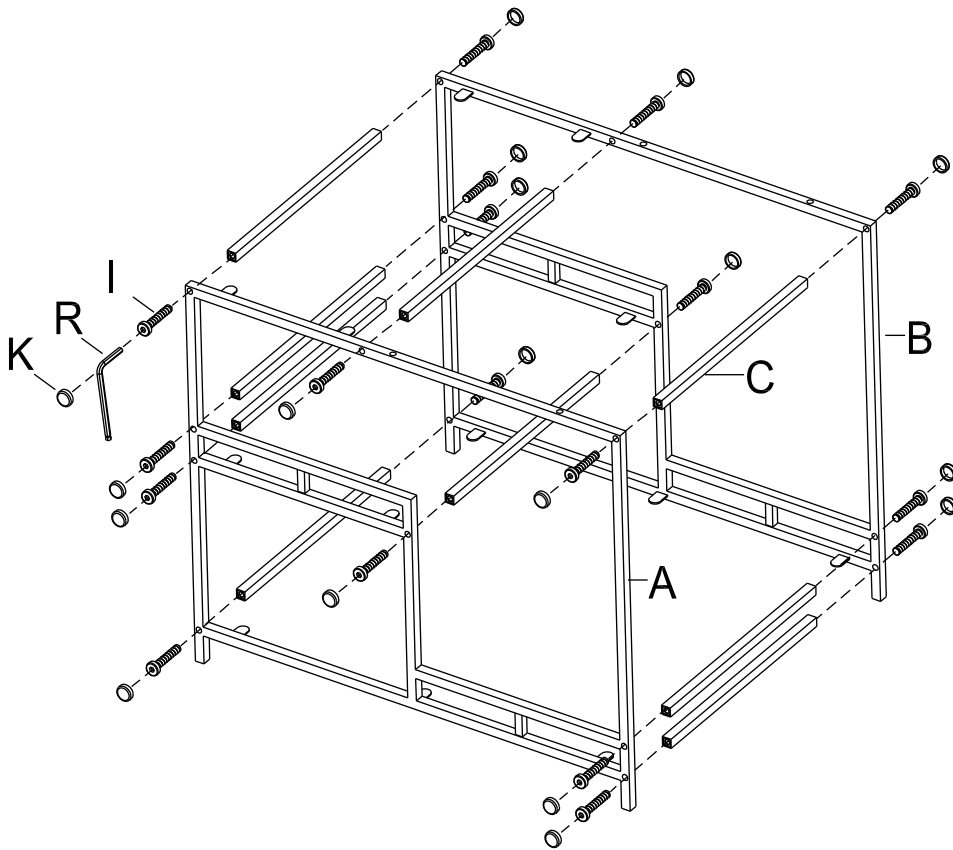
A Front Side Frame  1pc	B Back Side Frame  1pc	C Stretcher  9pcs	D Support Stretcher  2pcs
E Top Frame  1pc	F Small Mirror  2pcs	G Middle Mirror  1pc	H Large Mirror  1pc
I Bolt 1/4" x 1-1/2"  22pcs	J Bolt 1/4" x 1"  4pcs	K Bolt Cover 11mm  18pcs	L Caster 40mm  2pcs
M Caster With Brake 40mm  2pcs	N Lock Washer 1/4"  4pcs	O Flat Washer 1/4"  4pcs	P Open Wrench 10mm  1pc
Q Glass Pad 10mm  18pcs	R Allen Wrench 1/4"  1pc		



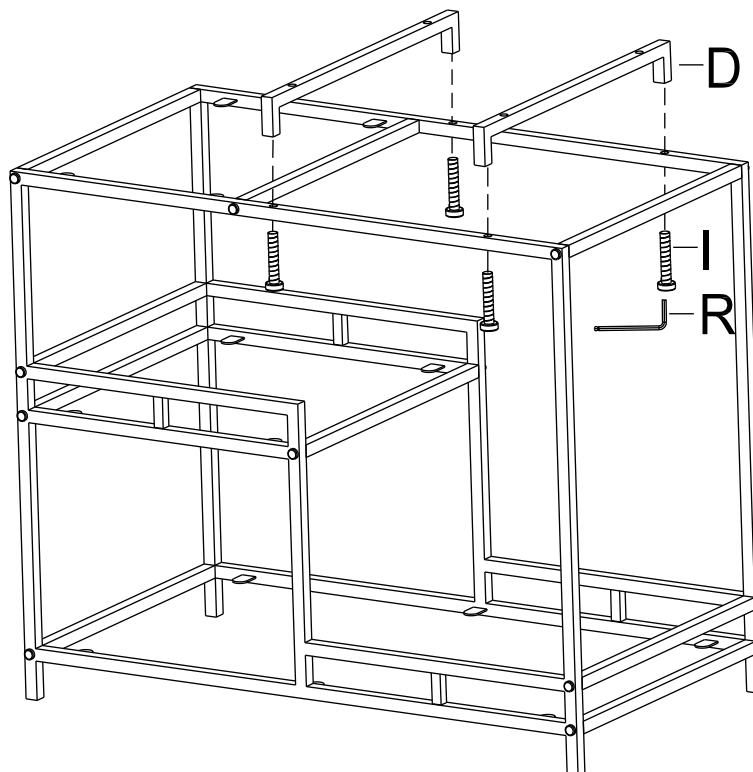
This page lists all the contents included in the box. Please take the time to identify the hardware as well as the individual components to this product. As you unpack and prepare for assembly, place the contents on a carpeted or padded area to protect them from damage.

1

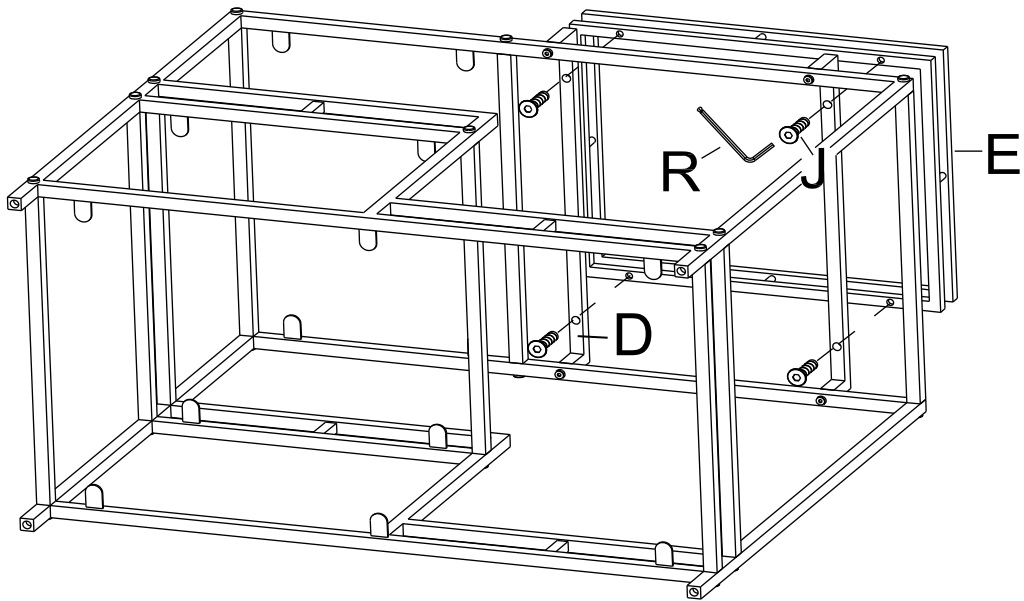
Attach Front Side Frame (A), Back Side Frame (B) and Stretcher (C) together by Bolt (I) and Allen Wrench (R). Then cover the bolt head by Bolt Cover (K) as shown.

**2**

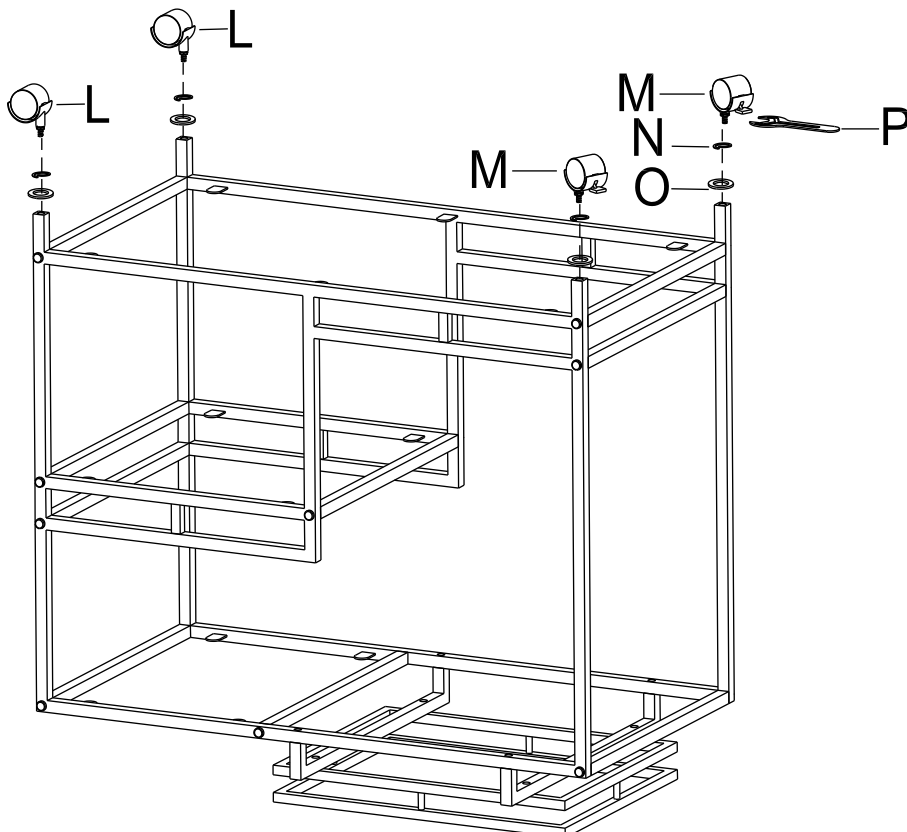
Attach Support Stretcher (D) to assembled metal base by Bolt (I) and Allen Wrench (R) as shown.



3 Attach Top Frame (E) to Support Stretcher (D) by Bolt (J) and Allen Wrench (R) as shown.

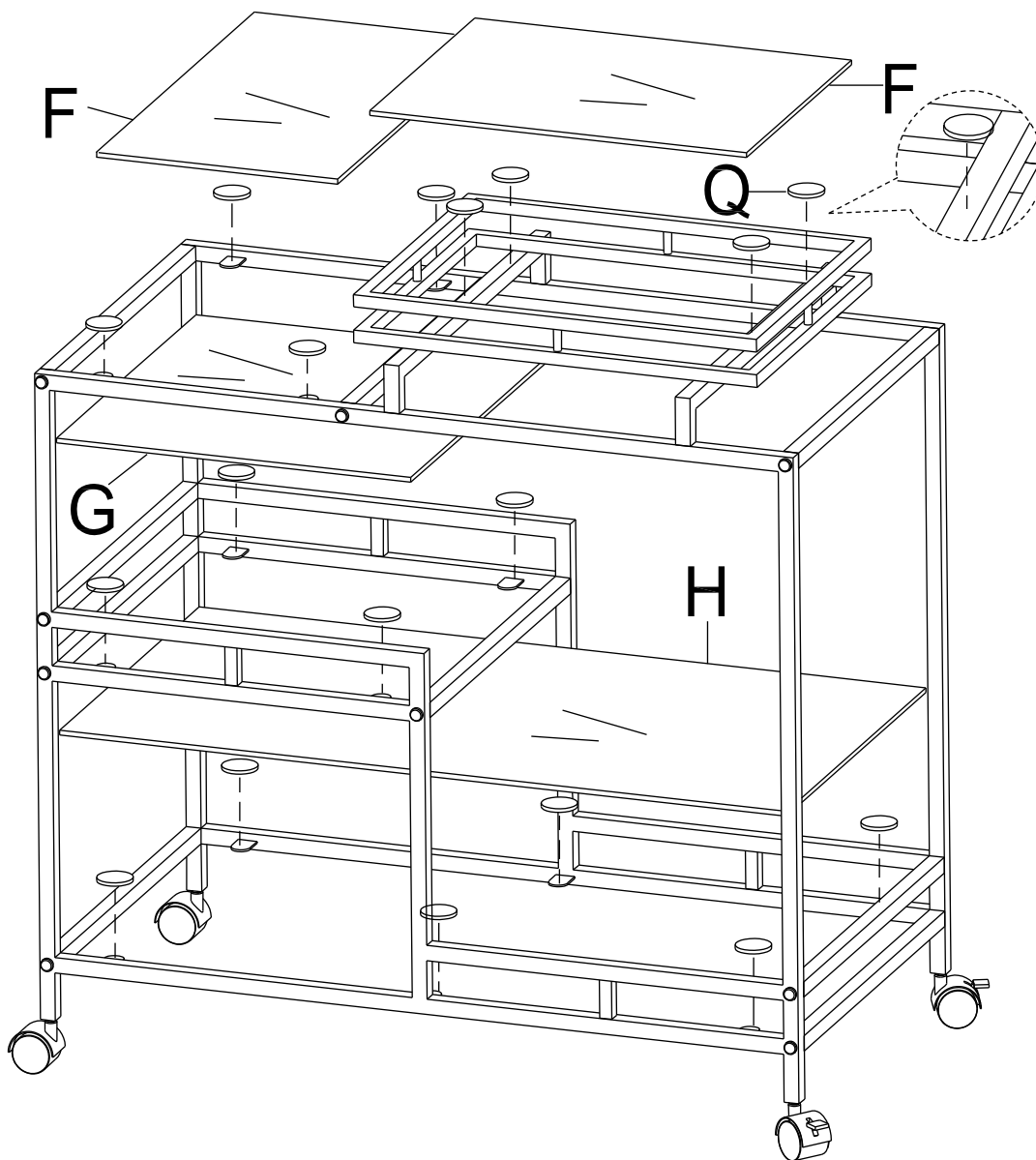


4 Attach Caster (L) and Caster With Brake (M) to the bottom of the bar cart by Flat Washer (O), Lock Washer (N) and Open Wrench (P) as shown.



5

Attach Glass Pad (Q) to the bar cart. Then place Small Mirror (F), Middle Mirror (G) and Large Mirror (H) as shown.



Cleaning & Care

Treat surface with care. Surface is resistant to scratches but is not scratch resistant. Clean surfaces with a dry or damp soft cloth. Do not use abrasive cleaners. Hardware may loosen over time. Periodically check that all connections are tight.