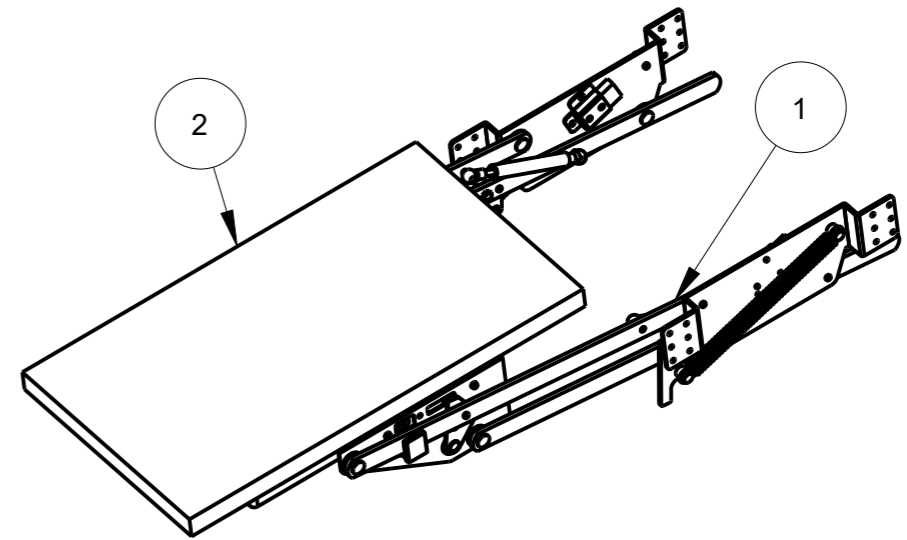
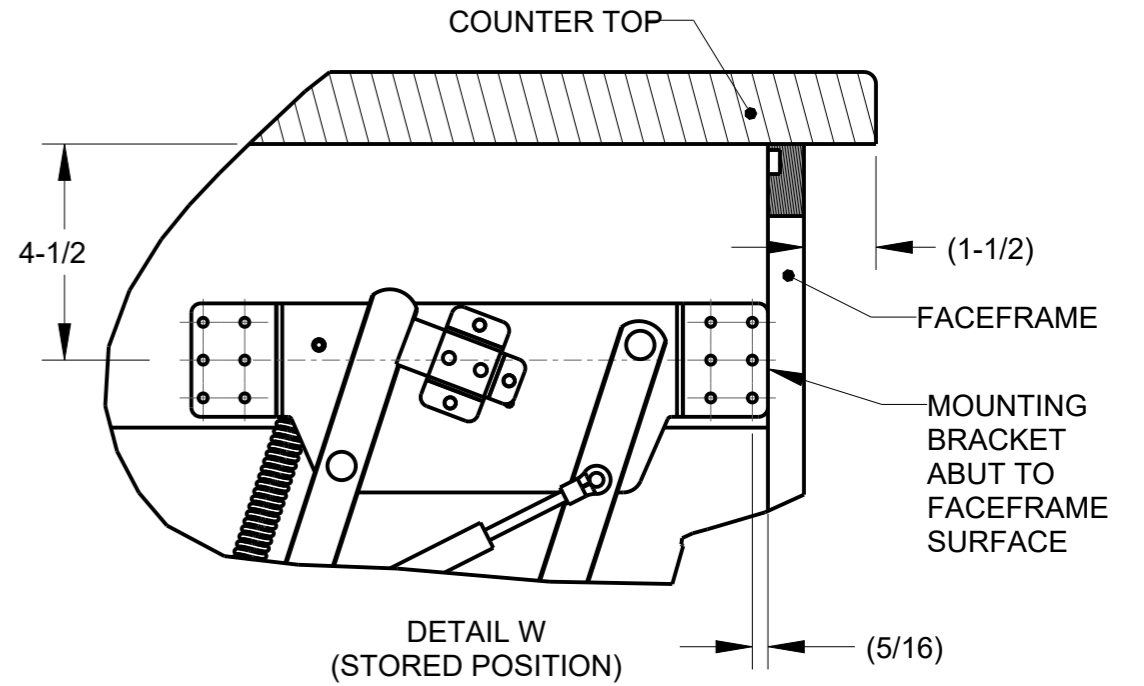


13-9/16  
MAXIMUM ALLOWABLE  
STORAGE HEIGHT  
(MIXER SHOWN FOR  
ILLUSTRATION ONLY)



HR ITEM NUMBER	PRODUCT DESCRIPTION	ITEM 1	ITEM 2	WIDTH
ML-1CH-12S	SOFT-CLOSE APPLIANCE LIFT WITH SHELF, 12in OPENING	ML-1CH	ML12S	9-3/4
ML-1CH-15S	SOFT-CLOSE APPLIANCE LIFT WITH SHELF, 15in OPENING	ML-1CH	ML15S	12-3/4
ML-1CH-18S	SOFT-CLOSE APPLIANCE LIFT WITH SHELF, 18in OPENING	ML-1CH	ML18S	15-3/4

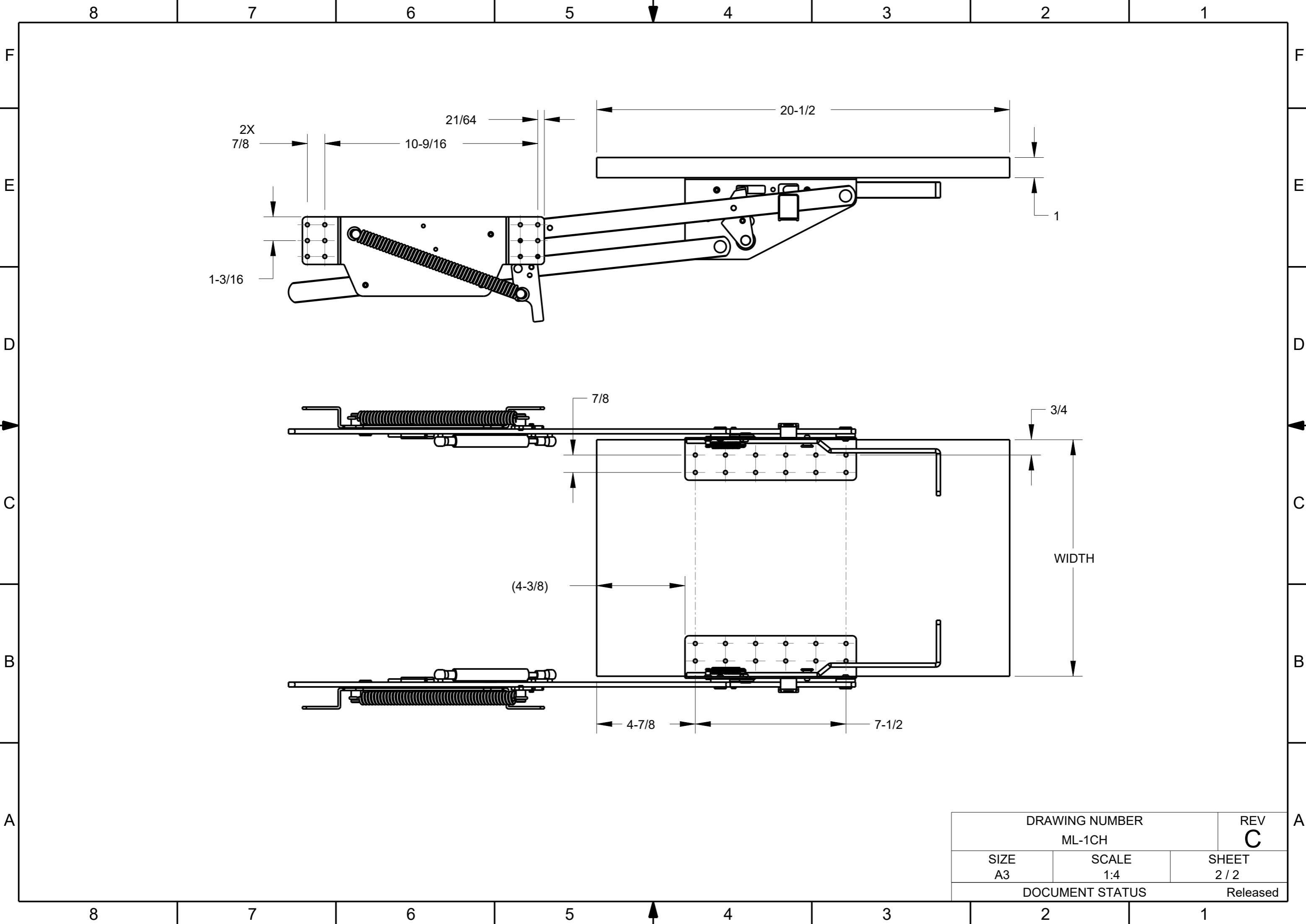


HARDWARE RESOURCES RESERVES THE RIGHT TO CHANGE SPECIFICATIONS WITHOUT NOTICE. IN CASE OF A DISCREPANCY, ACTUAL PART GEOMETRY SUPERSEDES THIS DOCUMENT.

THE INFORMATION CONTAINED WITHIN THIS DRAWING IS THE SOLE PROPERTY OF HARDWARE RESOURCES INC. ANY REPRODUCTION IN PART OR WHOLE WITHOUT WRITTEN PERMISSION OF HARDWARE RESOURCES INC. IS PROHIBITED.

DOCUMENT STATUS <b>Released</b>	
UNLESS OTHERWISE SPECIFIED DIMENSIONS ARE IN INCHES (IN)	
MATERIAL	FINISH
-	-
THIRD ANGLE PROJECTION	DATE
	30AUG2024

DESCRIPTION		
SOFT-CLOSE APPLIANCE LIFT		
DRAWING NUMBER		REV
ML-1CH		<b>C</b>
SIZE	SCALE	SHEET
A3	1:8	1 / 2



DRAWING NUMBER ML-1CH		REV <b>C</b>
SIZE A3	SCALE 1:4	SHEET 2 / 2
DOCUMENT STATUS		Released