

Assembly & Installation Instructions

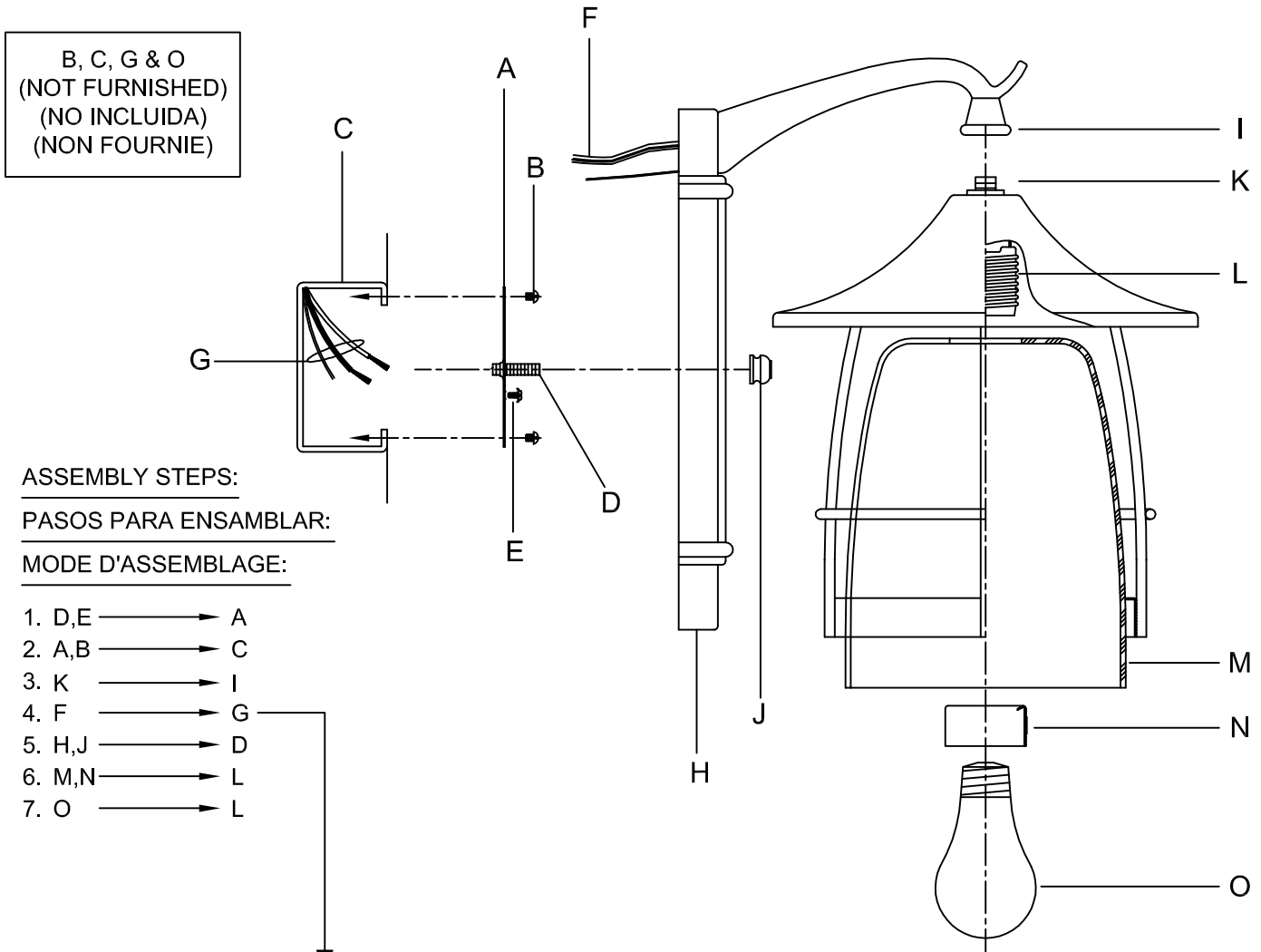
CAUTION: Read instructions carefully and turn electricity off at main circuit breaker panel before beginning installation.

WARNING - If any Special Control Devices are used with this Fixture, Follow the Instructions Carefully to assure full compliance with N.E.C. requirements. If there are any questions, contact a Qualified Electrical Contractor.

CAUTION - All glass is fragile, use care when handling Glass Shade and lamps.

WARNING - This product contains chemicals known to the State of California to cause cancer, birth defects and /or other reproductive harm. Thoroughly wash hands after installing, handling, cleaning, or otherwise touching this product.

WARNING: To comply with National Electrical Code and Underwriters Laboratories requirements, when installed outdoors, or in wet locations, the top and 2 sides of the wall plate coming in contact with the mounting surface, and the fixture mounting cap nuts, must be sealed with a latex waterproof caulking to prevent water from entering the outlet box.



ASSEMBLY STEPS:

PASOS PARA ENSAMBLAR:

MODE D'ASSEMBLAGE:

- 1. D,E → A
- 2. A,B → C
- 3. K → I
- 4. F → G
- 5. H,J → D
- 6. M,N → L
- 7. O → L

