




Location:



S-4301-TRM, S4301TRMTC Shower Trim Specification Submittal

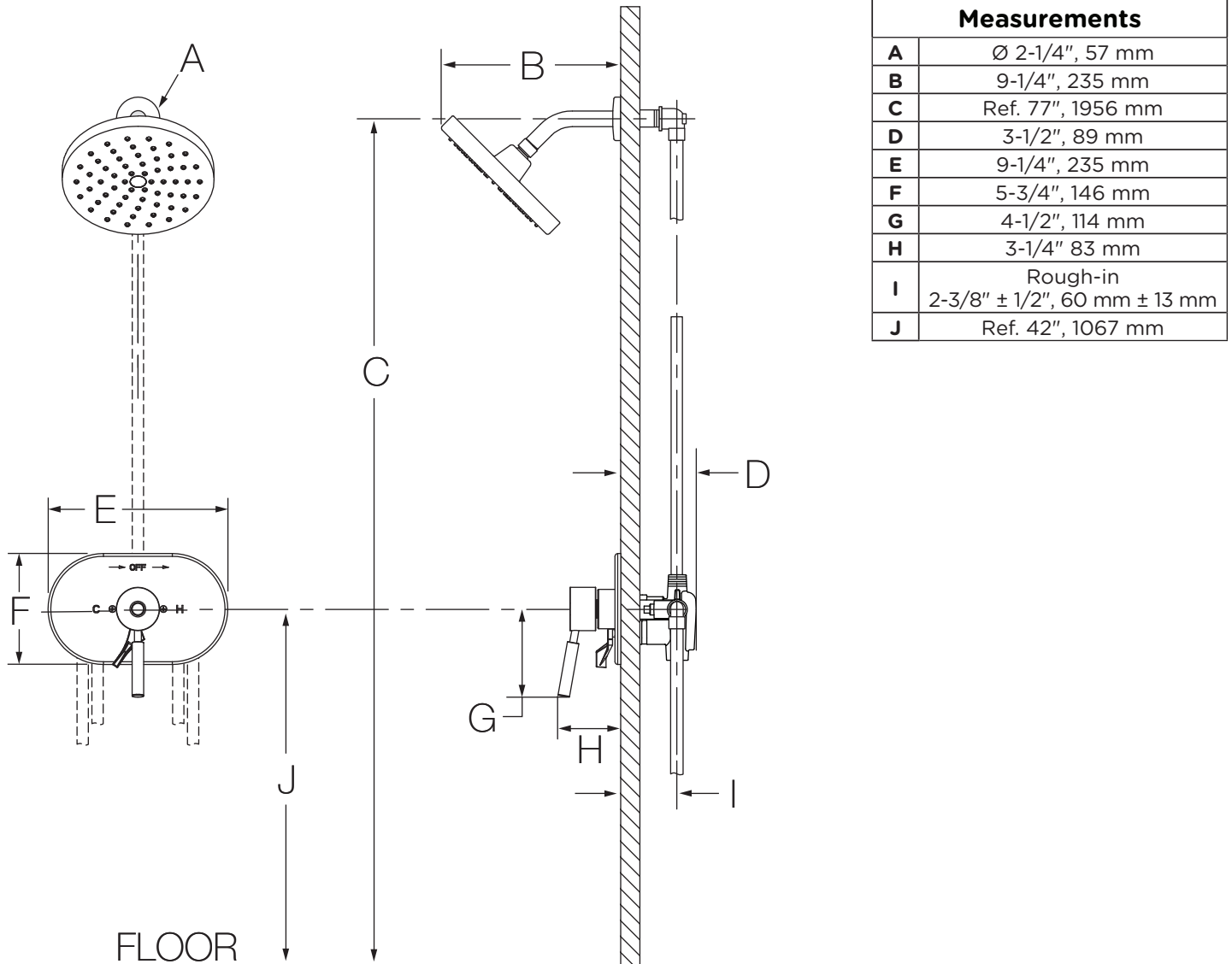


Feature Highlights	Options/Modifications
<ul style="list-style-type: none">Sereno Shower TrimRequires Temptrol® Pressure Balancing Shower ValveIntegral volume controlMetal lever handle1 mode showerhead2.0 gpm (2.6 L/min) flow restrictorTub spout not includedComponents shall be metal and nonmetallic construction, plated in standard Polished Chrome finishAvailable with TA-10 flow control spindle and T-12A cap assembly for Temptrol valve bodies installed with Test Cap (order p/n S4301TRMTC)	<ul style="list-style-type: none"><input type="checkbox"/> -1.5  1.5 gpm (5.7 L/min) flow restrictor<input type="checkbox"/> -L1 Less showerhead<input type="checkbox"/> -LP Loop handle<input type="checkbox"/> -STN Satin Nickel finish <p>Note: Append appropriate -suffix to model number.</p>
Model Numbers	Compliance <ul style="list-style-type: none">ASME A112.18.1/CSA B125.1 
<ul style="list-style-type: none"><input type="checkbox"/> S-4301-TRM Shower Trim with integral volume control, Temptrol Pressure Balancing Shower Valve ordered separately<input type="checkbox"/> S4301TRMTC Shower Trim with integral volume control, TA-10 flow control spindle and T-12A cap assembly, must order Temptrol valve with Test Cap	Warranty <p>Limited Lifetime - to the original end purchaser in consumer/residential installations.</p> <p>10 Years - for commercial/industrial installations. Refer to www.symmons.com/warranty for complete warranty information.</p> 

Architectural/ Engineering Specification

Symmons _____ With Sereno Shower Trim, Requires Temptrol® Pressure Balancing Shower Valve, Integral volume control, Metal lever handle, 1 mode showerhead, 2.0 gpm (2.6 L/min) flow restrictor, Components shall be metal and nonmetallic construction, plated in standard Polished Chrome finish, Available with TA-10 flow control spindle and T-12A cap assembly for Temptrol valve bodies installed with Test Cap (order p/n S4301TRMTC), For optional in-line vacuum breaker order p/n EF-109. 10 Year commercial Warranty. ASME A112.18.1/CSA B125.1, complaint. Available options include: "1.5 - 1.5 gpm (5.7 L/min) flow restrictor", "L1 - Less showerhead", "LP - Loop handle", "STN - Satin nickel finish".

Dimensions



Notes:

- 1) Valve body and piping not included and shown as reference only.
- 2) Plaster shield (p/n T-176) for dry wall, plaster or other type walls 1/2" or greater.
- 3) All dimensions measured from nominal rough-in (see I as reference).
- 4) Dimensions subject to change without notice.