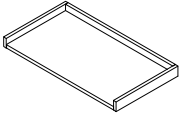



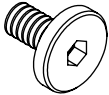
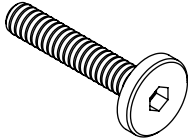
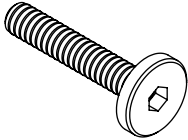
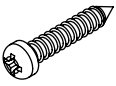
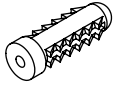


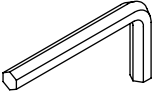
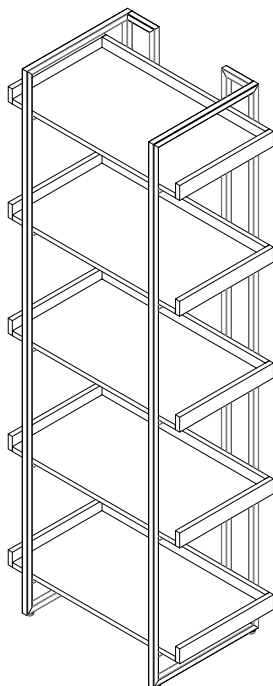


ASSEMBLY INSTRUCTION

26"W BOOKCASE

<p>A Shelf Panel</p>  <p>5PCS</p>	<p>B Side Frame - RSF</p>  <p>1PC</p>	<p>C Side Frame - LSF</p>  <p>1PC</p>	<p>D Back Frame</p>  <p>2PCS</p>
<p>E Bolt 1/4"x1/2"xØ15</p>  <p>8PCS</p>	<p>F Bolt 1/4"x1"xØ15</p>  <p>10PCS</p>	<p>G Bolt 1/4"x1-1/4"xØ15</p>  <p>20PCS</p>	<p>H Wood Screw 4 x 25 x 9mm (Anti-Tipping)</p>  <p>2PCS</p>
<p>I Wall Anchor (Anti-Tipping)</p>  <p>2PCS</p>	<p>J Mounting Plate (Anti-Tipping)</p>  <p>4PCS</p>	<p>K Connection Strap (Anti-Tipping)</p>  <p>2PCS</p>	<p>L Allen Wrench 1/4"</p>  <p>1PC</p>

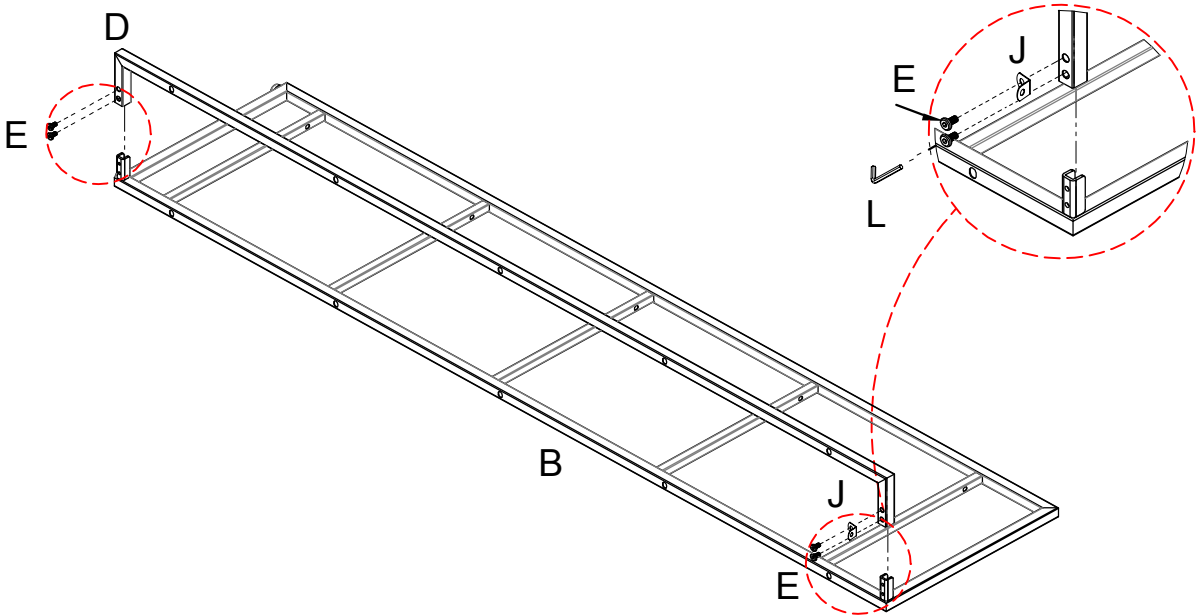


This page lists all the contents included in the box. Please take the time to identify the hardware as well as the individual components to this product. As you unpack and prepare for assembly, place the contents on a carpeted or padded area to protect them from damage.

***Do not tighten screws & bolts until the entire unit is completely assembled.

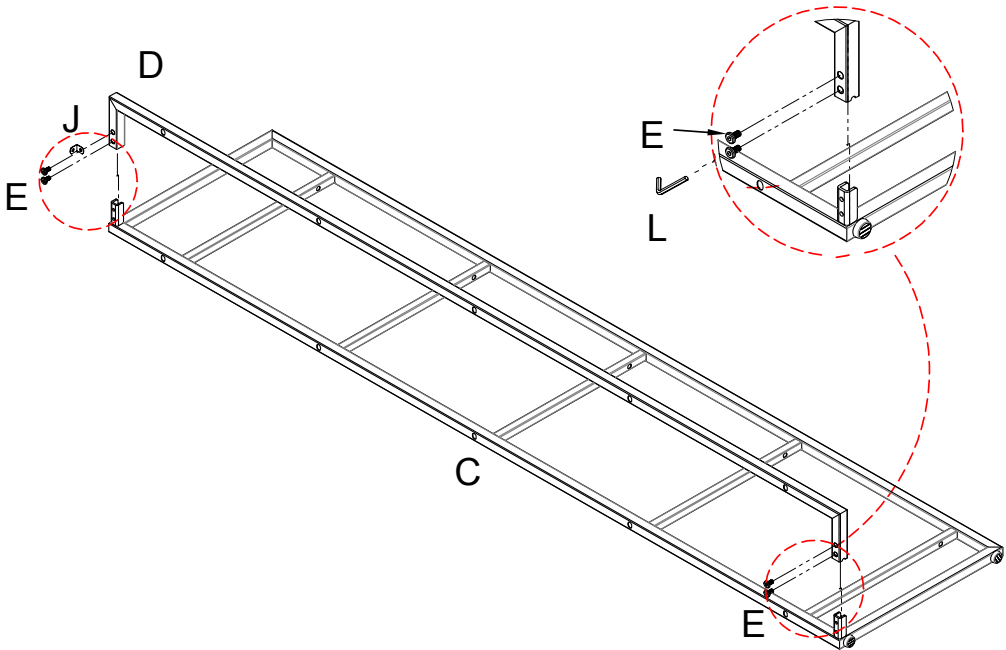
1

Attach Mounting Plate (J) to the Back Frame (D) and Side Frame - RSF (B) with Bolt (E) and Allen Wrench (L), making sure the Mounting Plate (J) extend DOWNWARD as shown.



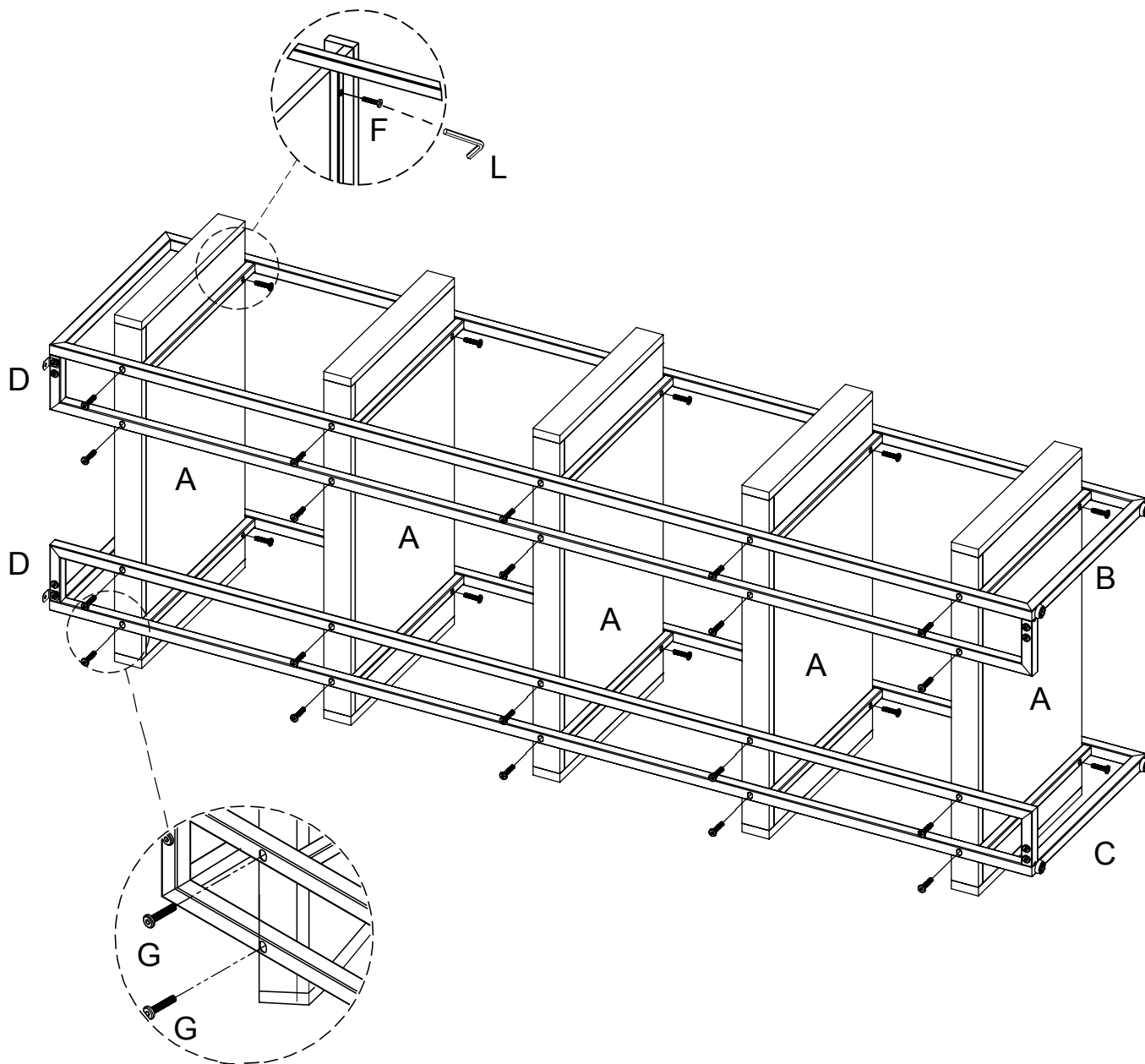
2

Attach Mounting Plate (J) to the Back Frame (D) and Side Frame - LSF (C) with Bolt (E) and Allen Wrench (L), making sure the Mounting Plate (J) extend DOWNWARD as shown.



3

Attach Shelf Panel (A) to the Side Frame by using Bolt (G), Bolt (F) and Allen Wrench (L) as shown.



4

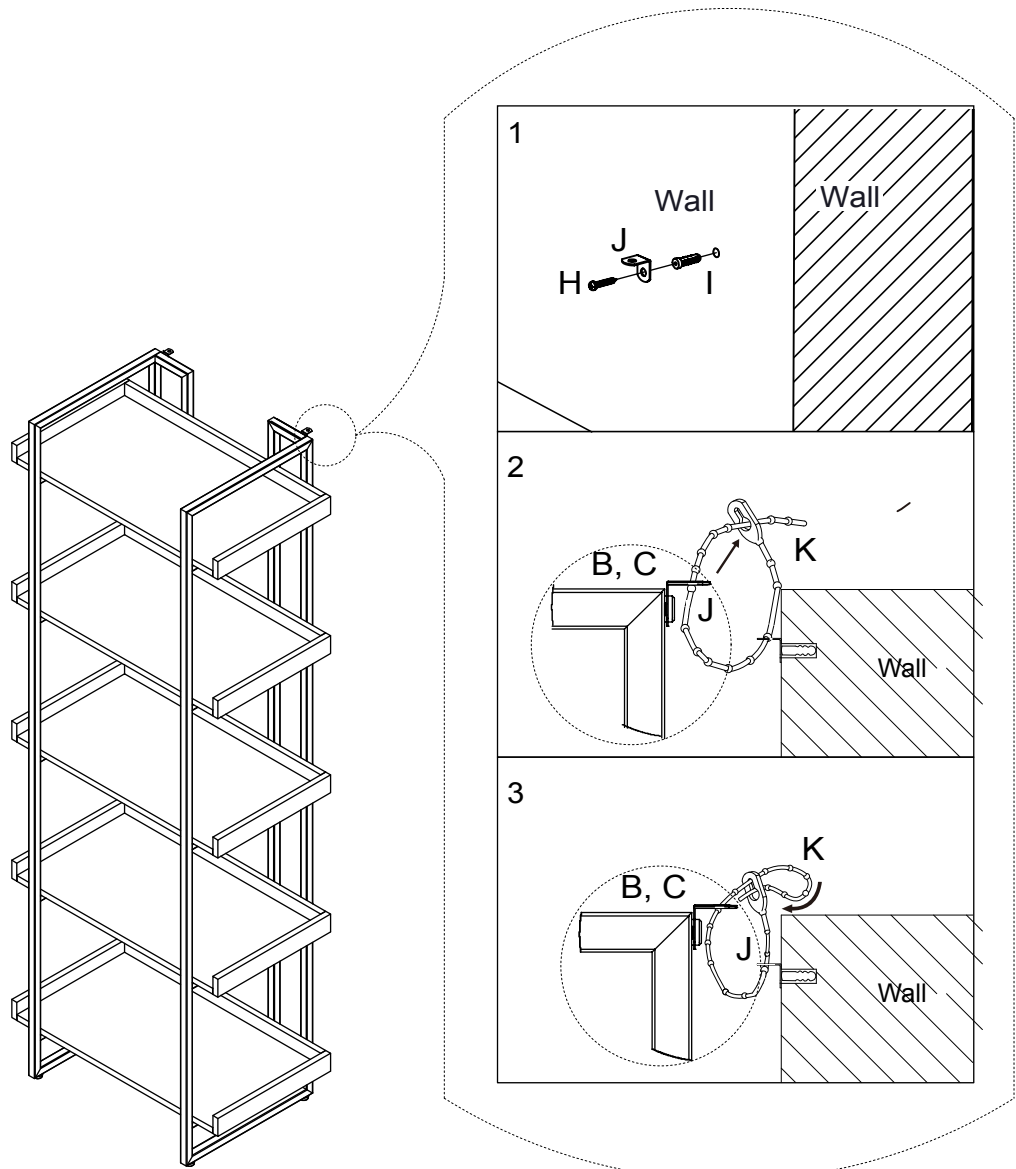
*NOTE: WE RECOMMEND THAT YOU ATTACH THE PRODUCT TO YOUR WALL AS A SAFETY PRECAUTION.

Drill 2 (Two) holes in your wall approximately 2" (Two Inches) BELOW the corresponding positions of Mounting Plate (J) and insert Wall Anchor (I) as shown.

*NOTE: You may need to tap LIGHTLY with a rubber mallet.

Attach Mounting Plate (J) to Connection Strap (K) with Wood Screw (H), making sure the Tabs extend UPWARD.

Now connect the corresponding Mounting Plate (J) with Connection Strap (K) and tighten as described before locking in place.



Cleaning & Care

Treat surface with care. Surface is resistant to scratches but is not scratch resistant. Clean surfaces with a dry or damp soft cloth. Do not use abrasive cleaners. Hardware may loosen over time. Periodically check that all connections are tight.