



MICROWAVE OVEN

OWNER'S MANUAL

JEB1095

SAFETY INFORMATION3

USING YOUR OVEN

Features.....6

Controls.....7

Power Levels.....8

Time and Auto Features.....9

Other Features.....15

Microwave Terms.....16

CARE AND CLEANING.....17

TROUBLESHOOTING.....18

Things that are Normal.....18

CONSUMER SUPPORT

Limited Warranty.....19

Consumer Support.....20

Write the model and serial numbers here:

Model # _____

Serial # _____

You can find them on a label inside the oven.

THANK YOU FOR MAKING GE APPLIANCES A PART OF YOUR HOME.

Whether you grew up with GE Appliances, or this is your first, we're happy to have you in the family.

We take pride in the craftsmanship, innovation and design that goes into every GE Appliances product, and we think you will too. Among other things, registration of your appliance ensures that we can deliver important product information and warranty details when you need them.

Register your GE appliance now online. Helpful websites and phone numbers are available in the Consumer Support section of this Owner's Manual. You may also mail in the pre-printed registration card included in the packing material.



GE APPLIANCES

IMPORTANT SAFETY INSTRUCTIONS

READ ALL INSTRUCTIONS BEFORE USING THE APPLIANCE

⚠ WARNING

To reduce the risk of burns, electric shock, fire, injury to persons, or exposure to excessive microwave energy:

When using electrical appliances, basic safety precautions should be followed, including the following:

- Read all instructions before using this appliance.
- Read and follow the specific "PRECAUTIONS TO AVOID POSSIBLE EXPOSURE TO EXCESSIVE MICROWAVE ENERGY" found on page 5.
- Use this appliance only for its intended use as described in this manual. Do not use corrosive chemicals or vapors in this appliance. This microwave oven is specifically designed to heat, dry or cook food, and is not intended for laboratory or industrial use.
- This appliance should be serviced only by qualified service personnel. Contact nearest authorized service facility for examination, repair, or adjustment.

INSTALLATION

- Install or locate this appliance only in accordance with the provided installation instructions.
- This appliance must be grounded. Connect only to a properly grounded outlet. See the "GROUNDING INSTRUCTIONS" found on page 5.
- Be certain to place the front surface of the door 3 inches or more back from the counter top edge to avoid accidental tipping of the appliance in normal usage.
- Recommended clearances: 3 inches on each side, 3 inches on the top, and 1 inch in the rear.
- Do not operate this appliance if it has a damaged power cord or plug, if it is not working properly, or if it has been damaged or dropped.
- Keep power cord away from heated surfaces.
- Do not let cord hang over edge of table or counter.
- Do not immerse power cord or plug in water.
- Do not cover or block any opening on the appliance.
- Do not store this appliance outdoors. Do not use this product near water - for example, in a wet basement, near a swimming pool, or in a similar location.
- Do not mount over a sink.

TO REDUCE THE RISK OF FIRE IN THE CAVITY:

- Do not overcook food. Carefully attend appliance when paper, plastic or other combustible materials are placed inside the oven while cooking.
- Remove wire twist-ties and metal handles from paper or plastic containers before placing them in the oven.
- If materials inside the oven ignite, keep the oven door closed, turn the oven off and disconnect the power cord, or shut off power at the fuse or circuit breaker panel.
- Do not store any materials in the oven when not in use. Do not leave paper products, cooking utensils, or food in the cavity when not in use.
- Do not operate the microwave feature without food in the oven.

TO REDUCE THE RISK OF BURNS

- Be careful when opening containers of hot food. Use pot holders and direct steam away from face and hands.
- Vent, pierce, or slit containers, pouches or plastic bags to prevent build-up of pressure.
- Be careful when touching the turntable, door, or walls of the oven which may become hot during use.
- **HOT CONTENTS CAN CAUSE SEVERE BURNS. DO NOT ALLOW CHILDREN TO USE THE MICROWAVE.** Use caution when removing hot items.

READ ALL INSTRUCTIONS BEFORE USING THE APPLIANCE

⚠ WARNING

OPERATING

- Do not operate the oven without the turntable in place. The turntable must be unrestricted so it can turn.
- Make sure all cookware used in your microwave oven is suitable for microwaving. Most glass casseroles, cooking dishes, measuring cups, custard cups, pottery or china dinnerware which does not have metallic trim or glaze with a metallic sheen can be used in compliance with cookware manufacturers' recommendations.
- Do not store anything directly on top of the microwave surface when the microwave is in operation.
- Some products such as whole eggs and sealed containers - for example, closed jars - are able to explode and should not be heated in the microwave oven.
- Do not overcook potatoes. They could dehydrate and catch fire.
- Do not cover any other part of the oven with metal foil. This will cause overheating of the oven.
- Cook meat and poultry thoroughly—meat to at least an INTERNAL temperature of 160°F and poultry to at least an INTERNAL temperature of 180°F. Cooking to these temperatures usually protects against foodborne illness.
- This oven is not approved or tested for marine use.

CLEANING

- Keep the oven free from grease buildup.
- Do not clean with metal scouring pads. Pieces can burn off the pad and touch electrical parts involving risk of electric shock.
- When cleaning surfaces of door and oven that come together on closing the door, use only mild, nonabrasive soaps, or detergents applied with a clean sponge or soft cloth.

SUPER HEATED WATER

- Liquids, such as water, coffee, or tea, are able to be overheated beyond the boiling point without appearing to be boiling. Visible bubbling or boiling when the container is removed from the microwave oven is not always present. THIS COULD RESULT IN VERY HOT LIQUIDS SUDDENLY BOILING OVER WHEN THE CONTAINER IS DISTURBED OR A SPOON OR OTHER UTENSIL IS INSERTED INTO THE LIQUID.
- To reduce the risk of injury to persons:
 - Do not overheat the liquid.
 - Stir the liquid both before and halfway through heating it.
 - Do not use straight-sided containers with narrow necks.
 - After heating, allow the container to stand in the microwave oven for a short time before removing the container.
 - Use extreme care when inserting a spoon or other utensil into the container.

READ AND SAVE THESE INSTRUCTIONS

READ ALL INSTRUCTIONS BEFORE USING THE APPLIANCE

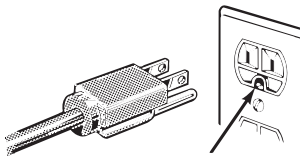
PRECAUTIONS TO AVOID POSSIBLE EXPOSURE TO EXCESSIVE MICROWAVE ENERGY

- (a) **Do Not Attempt** to operate this oven with the door open since open-door operation can result in harmful exposure to microwave energy. It is important not to defeat or tamper with the safety interlocks.
- (b) **Do Not Place** any object between the oven front face and the door or allow soil or cleaner residue to accumulate on sealing surfaces.
- (c) **Do Not Operate** the oven if it is damaged. It is particularly important that the oven door close properly and that there is no damage to the:
 - (1) door (bent),
 - (2) hinges and latches (broken or loosened),
 - (3) door seals and sealing surfaces.
- (d) **The Oven Should Not** be adjusted or repaired by anyone except properly qualified service personnel.

GROUNDING INSTRUCTIONS

⚠ WARNING

Improper use of the grounding plug can result in a risk of electric shock.



Ensure proper ground exists before use.

This appliance must be grounded. In the event of an electrical short circuit, grounding reduces the risk of electric shock by providing an escape wire for the electric current.

This appliance is equipped with a power cord having a grounding wire with a grounding plug. The plug must be plugged into an outlet that is properly installed and grounded.

Consult a qualified electrician or service technician if the GROUNDING INSTRUCTIONS are not completely understood, or if doubt exists as to whether the appliance is properly grounded.

If the outlet is a standard 2-prong wall outlet, it is your personal responsibility and obligation to have it replaced with a properly grounded 3-prong wall outlet.

Do not under any circumstances cut or remove the third (ground) prong from the power cord.

Do not use an extension cord with this appliance. If the power cord is too short, have a qualified electrician or service technician install an outlet near the appliance.

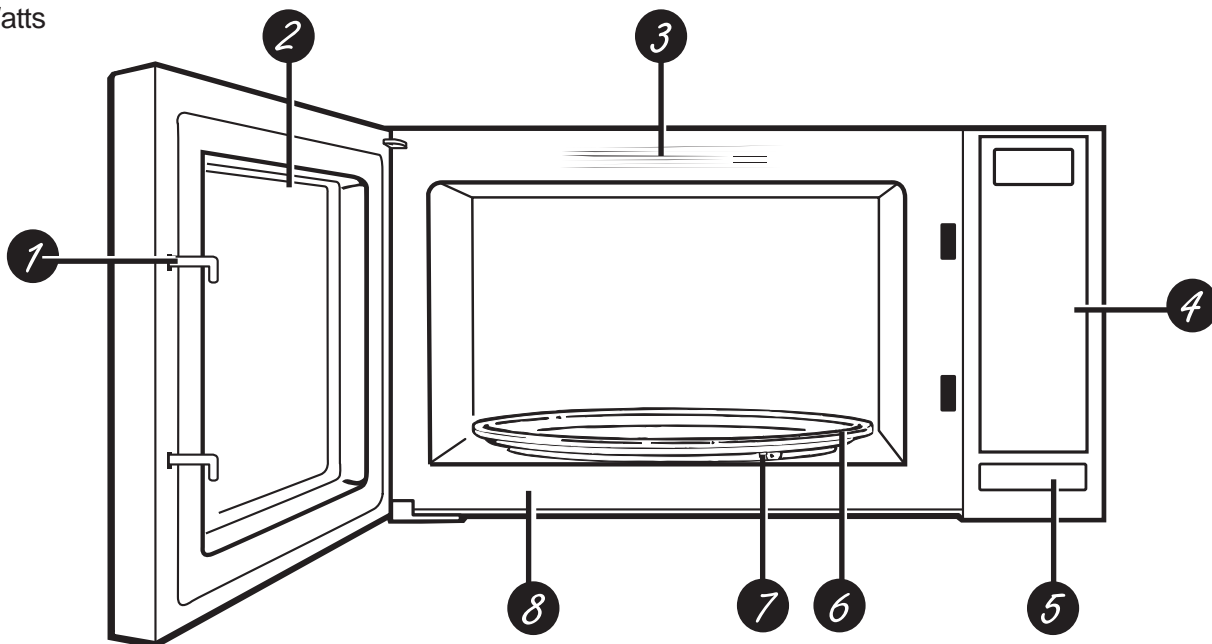
NOTICE: PACEMAKERS

Most pacemakers are shielded from interference from electronic products, including microwaves. However, patients with pacemakers may wish to consult their physicians if they have concerns.

Features

Throughout this manual, features and appearance may vary from your model.

900 Watts



- 1 Door Latches**
- 2 Window with Metal Shield.** Screen allows cooking to be viewed while keeping microwaves confined in the oven.
- 3 Convenience Guide**
- 4 Control Panel Display.**
- 5 Door Latch Release.** Press latch release to open door.
- 6 Removable Turntable.** Turntable and support must be in place when using the oven. The turntable may be removed for cleaning.
- 7 Removable Turntable Support.** The turntable support must be in place when using the oven. The turntable support may be removed for cleaning.
- 8 Rating Label.** Rating plate is located on the front of the microwave oven.

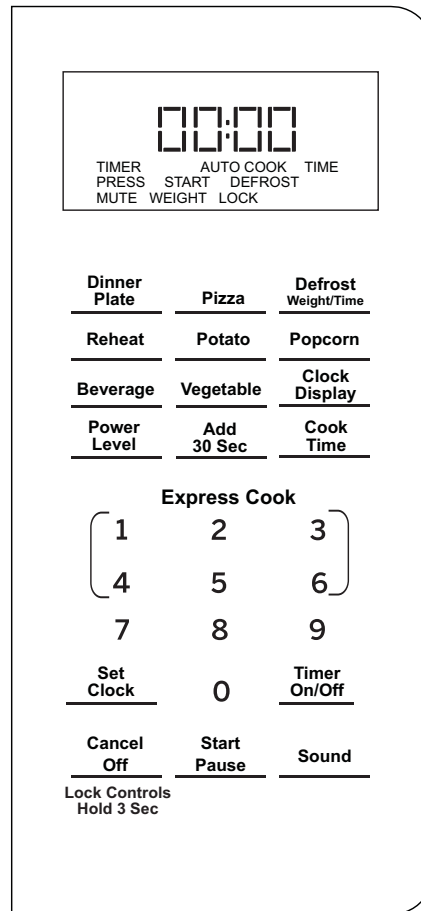
Optional Accessories

Built-In Installation Kit purchased separately. Required for GE Appliances JEB1095 models, and not available for GE Appliances JES1095 models

Model	Kit	Color
JEB1095	JX1095S4TBB	Black
	JX1095S4TSS	Stainless Steel
JES1095BMTS	N/A	
JES1095DMBB	N/A	
JES1095DMWW	N/A	
JES1095DMSS	N/A	

Controls

You can microwave by time or with the convenience features.



Control buttons' functions are explained on the following pages.

About the features

Power Level

The power level may be entered or changed immediately after entering the feature time for **Cook Time** or **Express Cook** the power level may also be changed during the cooking.

1. Press **Cook Time** and enter cooking time.
2. Press the **Power Level** button and select power level 1-10.
3. Press the **Start/Pause** button to start cooking.

Variable power levels add flexibility to microwave cooking. The power levels on the microwave oven can be compared to the surface units on a range. Each power level gives you microwave energy a certain percent of the time. Power level 7 is microwave energy 70% of the time. Power level 3 is energy 30% of the time. Most cooking will be done on **Power Level 10** which gives you 100% power.

Power Level 10 will cook faster but food may need more frequent stirring, rotating or turning over. A lower setting will cook more evenly and need less stirring or rotating of the food.

Some foods may have better flavor, texture or appearance if one of the lower settings is used. Use a lower power level when cooking foods that have a tendency to boil over, such as scalloped potatoes.

Rest periods (when the microwave energy cycles off) give time for the food to “equalize” or transfer heat to the inside of the food. An example of this is shown with power level 3—the defrost cycle. If microwave energy did not cycle off, the outside of the food would cook before the inside was defrosted.

Here are some examples of uses for various power levels::

Power Level 10: Fish, bacon, vegetables, heating liquids.

Med-High 7: Gentle cooking of meat and poultry; baking casseroles and reheating.

Medium 5: Slow cooking and tenderizing for stews and less tender cuts of meat.

Low 2 or 3: Defrosting; simmering; delicate sauces.

Warm 1: Keeping food warm; softening butter.

About the features

Cook Time

Allows you to microwave for any time up to 99 minutes and 99 seconds.

1. Press **Cook Time**.
2. Enter cooking time.
3. The power level is automatically set to 10, but if you want to reduce it, press **Power Level**, then select a level from 1 to 9.
4. Press **Start/Pause**.

You may open the door during Cook Time to check the food. Close the door and press **Start/Pause** to resume cooking.

Multi-Stage Cooking

At most 2 stages can be set for cooking. In multi-stage cooking, if one stage is defrosting, then defrosting shall be placed at the first stage automatically.

Note: Auto cooking cannot work in the multi-stage cooking.

Example: if you want to cook with 80% microwave power for 5 minutes + 60% microwave power for 10 minutes. The cooking steps are as following:

1. Press **Time Cook** once, then press "5", "0", "0" to set the cooking time;
2. Press **Power** once, then press "8" to select 80% microwave power.
3. Press **Time Cook** once, then press "1", "0", "0", "0" to set the cooking time;
4. Press **Power** once, then press "6" to select 60% microwave power.
5. Press **Start/Pause**.

About the features

Time Defrost

Time Defrost allows you to defrost for a selected length of time. See the Defrosting Guide for suggested times.

1. Press **Defrost** twice (display must show Time Defrost).
2. Enter defrosting time.
3. Press **Start/Pause**.

Power level is automatically set at 3, but can be changed. You can defrost small items quickly by raising the power level after entering the time. Power level 7 cuts the total defrosting time in about half; power level 10 cuts the total time to approximately 1/3. However, food will need more frequent attention than usual.

A dull thumping noise may be heard during defrosting. This is normal when oven is not operating at High power.

Defrosting Tips

- Foods frozen in paper or plastic can be defrosted in the package. Closed packages should be slit, pierced or vented AFTER food has partially defrosted. Plastic storage containers should be partially uncovered.
- Family-size, prepackaged frozen dinners can be defrosted and microwaved. If the food is in a foil container, transfer it to a microwave-safe dish.
- For more even defrosting of larger foods, such as roasts, use Defrost Weight. Be sure large meats are completely defrosted before cooking.
- Foods that spoil easily should not be allowed to sit out for more than one hour after defrosting. Room temperature promotes the growth of harmful bacteria.
- When defrosted, food should be cool but softened in all areas. If still slightly icy, return to the microwave very briefly, or let it stand for a few minutes.

Weight Defrost

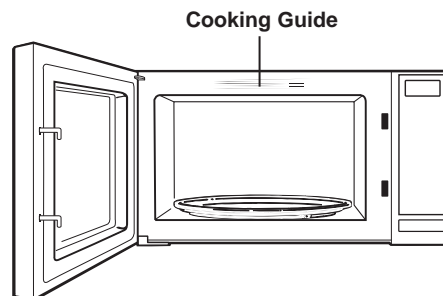
Weight defrost automatically sets the defrosting times and power levels to give even defrosting results for meats, poultry and fish weighing up to six pounds.

1. Press **Defrost** (display must show Weight Defrost).
2. Using the conversion guide, enter food weight. For example, press pads 1 and 2 for 1.2 pounds (1 pound, 3 ounces).
3. Press **Start/Pause**.

There is a cooking guide located on the inside front of the oven.

Conversion Guide

If the weight of food is stated in pounds and ounces, the ounces must be converted to tenths (.1) of a pound.	
Ounces	Pounds
1-2	.1
3	.2
4-5	.3
6-7	.4
8	.5
9-10	.6
11	.7
12-13	.8
14-15	.9



About the features

Defrosting Guide

Food	Time	Comments
Breads, Cakes Bread, buns or rolls (1 piece) Sweet rolls (approx. 12 oz.)	1/4 min. 2 to 4 min.	Rearrange after half of time.
Fish and Seafood Fillets, frozen (1 lb.) Shellfish, small pieces (1 lb.)	6 to 9 min. 3 to 7 min.	Place block in casserole. Turn over and break up after first half of time.
Fruit Plastic pouch—1 or 2 (10-oz. package)	1 to 5 min.	
Meat Bacon (1 lb.) Franks (1 lb.) Ground meat (1 lb.) Roast: beef, lamb, veal, pork Steaks, chops and cutlets	2 to 5 min. 2 to 5 min. 4 to 6 min. 9 to 12 min. per lb. 4 to 8 min. per lb.	Place unopened package in oven. Let stand 5 minutes after defrosting. Place unopened package in oven. Microwave just until franks can be separated. Let stand 5 minutes, if necessary, to complete defrosting. Turn meat over after first half of time. Use power level Warm (1). Place unwrapped meat in cooking dish. Turn over after first half of time and shield warm areas with foil. After second half of time, separate pieces with table knife. Let stand to complete defrosting.
Poultry Chicken, broiler-fryer, cut up (2 ¹ / ₂ to 3 lbs.) Chicken, whole (2 ¹ / ₂ to 3 lbs.) Cornish hen Turkey breast (4 to 6 lbs.)	14 to 19 min. 20 to 24 min. 7 to 12 min. per lb. 3 to 8 min. per lb.	Place wrapped chicken in dish. Unwrap and turn over after first half of time. After second half of time, separate pieces and place in cooking dish. Microwave 2 to 4 minutes more, if necessary. Let stand a few minutes to finish defrosting. Place wrapped chicken in dish. After first half of time, unwrap and turn chicken over. Shield warm areas with foil. To complete defrosting, run cool water in cavity until giblets can be removed. Place unwrapped hen in oven breast-side-up. Turn over after first half of time. Run cool water in cavity until giblets can be removed. Place unwrapped breast in microwave-safe dish breast-side-down. After first half of time, turn breast-side-up and shield warm areas with foil. Defrost for second half of time. Let stand 1 to 2 hours in refrigerator to complete defrosting.

About the features

Express Cook

This is a quick way to set cooking time from 1-6 minutes.

Press one of the **Express Cook** pads (from 1-6) for 1-6 minutes of cooking at **power level 10**. For example, press the **2** pad for 2 minutes of cooking time.

The power level can be changed as time is counting down. Press **Power Level** and enter 1-10.

NOTE: Express Cook function pertains to pads 1-6 only.

Add 30 Sec

It will add 30 seconds to the time counting down each time the pad is pressed. Each touch will add 30 seconds, up to 99 minutes and 99 seconds.

The oven will start immediately when pressed.

About the features

Dinner Plate

1. Press **Dinner Plate** to select 1 or 2 cups (8 to 10 oz each).
2. Press **Start**.

Menu	Press pad this number of times	Size of Dinner Plate
Dinner Plate	1	1 Cup
Dinner Plate	2	2 Cups

Pizza

1. Press **Pizza** to select 1 or 2 slices (3 oz. each slice).
2. Press **Start**.

Menu	Press pad this number of times	Size of Pizza
Pizza	1	1 Slice
Pizza	2	2 Slices

Reheat

The Reheat feature reheats 1 or 2 cups of previously cooked foods or a plate of leftovers.

1. Press **Reheat** to select 1 or 2 cups (8 to 10 oz each).
2. Press **Start**.

After removing food from the oven, stir, if possible, to even out the temperature. If the food is not hot enough, don't use the Reheat button again. Use Cook Time to reheat.

Menu	Press pad this number of times	Size of Reheat
Reheat	1	1 Cup
Reheat	2	2 Cups

Potato

1. Press **Potato** to select 1, 2 or 3 potatoes.
2. Press **Start**.

If the potatoes are not cooked to your satisfaction, do not use the Potato button again. Use Cook Time.

Menu	Press pad this number of times	Size of Potato
Potato	1	1 Potato
Potato	2	2 Potatoes
Potato	3	3 Potatoes

About the features

Popcorn

1. If you want to cook a package that is less than 1.75 oz, or more than 3.5 oz, then use Cook Time and follow the instructions on the package.
2. Press **Popcorn** to select ounces and then press **Start/Pause**.

If the popcorn is not to your satisfaction. Use the Cook Time button for further cooking.

Menu	Press pad this number of times	Size of Popcorn
Popcorn	1	1.75 Oz
Popcorn	2	3.0 Oz
Popcorn	3	3.5 Oz

Beverage

Press Beverage to select 1 or 2 cups (8 to 10 oz each).

Drinks heated with the Beverage feature may be very hot. Remove the container with care.

If beverage is not hot enough for you, do not use the Beverage button again to continue heating it. Use the Cook Time button for further heating.

Menu	Press pad this number of times	Size of Beverage
Beverage	1	1 Cup
Beverage	2	2 Cups

Vegetable

Use the Vegetable feature to cook 4–16 ounces of frozen vegetables.

1. Press **Vegetable** to select 1, 2, 3 or 4 cups (4 oz each).
2. Press **Start**.

If the vegetables are not cooked to your satisfaction, do not use the Vegetable button again. Use Cook Time.

Menu	Press pad this number of times	Size of Frozen Vegetable
Frozen Vegetable	1	1 Cup
Frozen Vegetable	2	2 Cups
Frozen Vegetable	3	3 Cups
Frozen Vegetable	4	4 Cups

Other Features

Insert Food Reminder

A reminder will show on the display if the user tries to start the cooking cycle without placing food inside the microwave oven within 5 minutes prior to starting the cooking cycle.

Cooking Complete Reminder

To remind you that you have food in the oven, the oven will display "END" and beep once a minute until you either open the oven door or press the **Cancel/Off** button.

Lock Controls

You may lock the control panel to prevent the microwave from being accidentally started or used by children.

To lock or unlock the controls, press and hold **Cancel/Off** for about three seconds. When the control panel is locked, "LOC" will appear in the display.

Clock Display

To turn the clock display on or off, press **Clock Display**. The Display On/Off feature cannot be used while a cooking feature is in use.

Set Clock

Press to enter the time of day or to check the time of day while microwaving.

1. Press **Set Clock**.
 2. Enter time of day.
 3. Press **Start** or **Set Clock**.
-

Start/Pause

In addition to starting many functions, **Start/Pause** allows you to stop cooking without opening the door or clearing the display. Press **Start/Pause** again to restart the oven.

Timer On/Off

Timer On/Off operates as a minute timer and can be used at any time, even when the oven is operating.

1. Press **Timer On/Off**.
 2. Enter the amount of time you want to count down.
 3. Press **Timer On/Off** to start.
-

When the time is up, the oven will signal. To turn off the timer signal, press **Timer On/Off**.

The display shows the Timer countdown time even when the oven is operating.

Sound

You can turn off all beeping sounds by pressing the **Sound** button so that MUTE shows on the display. Pressing the **Sound** button again will remove MUTE from the display and turns all beeping sounds back on.

Microwave Terms

Term	Definition
Arcing	<p>Arcing is the microwave term for sparks in the oven. Arcing is caused by:</p> <ul style="list-style-type: none"> ■ metal or foil touching the side of the oven. ■ foil that is not molded to food (upturned edges act like antennas). ■ metal such as twist-ties, poultry pins, gold-rimmed dishes. ■ recycled paper towels containing small metal pieces. ■ plates or dishes with a metallic trim or glaze with a metallic sheen.
Covering	<p>Covers hold in moisture, allow for more even heating and reduce cooking time. Venting plastic wrap or covering with wax paper allows excess steam to escape.</p>
Shielding	<p>In a regular oven, you shield chicken breasts or baked foods to prevent over-browning. When microwaving, you use small strips of foil to shield thin parts, such as the tips of wings and legs on poultry, which would cook before larger parts.</p>
Standing Time	<p>When you cook with regular ovens, foods such as roasts or cakes are allowed to stand to finish cooking or to set. Standing time is especially important in microwave cooking. Note that a microwaved cake is not placed on a cooling rack.</p>
Venting	<p>After covering a dish with plastic wrap, you vent the plastic wrap by turning back one corner so excess steam can escape.</p>

Care and Cleaning

Helpful Hints

An occasional thorough wiping with a solution of baking soda and water keeps the inside fresh.

Be certain the oven control is turned off before cleaning any part of this oven.



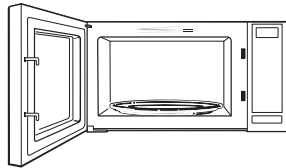
How to Clean the Inside

Walls, Floor, Inside Window, Metal and Plastic Parts on the Door

Some spatters can be removed with a paper towel; others may require a damp cloth. Remove greasy spatters with a sudsy cloth, then rinse with a damp cloth. Do not use abrasive cleaners or sharp utensils on oven walls.

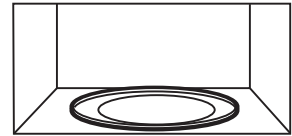
To clean the surface of the door and the surface of the oven that come together upon closing, use only mild, nonabrasive soaps or detergents using a sponge or soft cloth. Rinse with a damp cloth and dry.

Never use a commercial oven cleaner on any part of your microwave.



Removable Turntable and Turntable Support

To prevent breakage, do not place the turntable into water just after cooking. Wash it carefully in warm, sudsy water or in the dishwasher. The turntable and support can be broken if dropped. Remember, do not operate the oven in the microwave mode without the turntable and support seated and in place.



How to Clean the Outside

Do not use cleaners containing ammonia or alcohol on the microwave oven. Ammonia or alcohol can damage the appearance of the microwave.

Case

Clean the outside of the microwave with a sudsy cloth. Rinse with a damp cloth and then dry. Wipe the window clean with a damp cloth.

Control Panel and Door

Wipe with a damp cloth. Dry thoroughly. Do not use cleaning sprays, large amounts of soap and water, abrasives or sharp objects on the panel—they can damage it. Some paper towels can also scratch the control panel.

Door Surface

It is important to keep the area clean where the door seals against the microwave. Use only mild, non-abrasive detergents applied with a clean sponge or soft cloth. Rinse well.

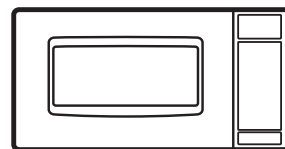
Power Cord

If the cord becomes soiled, unplug and wash with a damp cloth. For stubborn spots, sudsy water may be used, but be certain to rinse with a damp cloth and dry thoroughly before plugging cord into outlet.

Stainless Steel (on some models)

Do not use a steel-wood pad; it will scratch the surface.

To clean the stainless steel surface, use a hot, damp cloth with a mild detergent suitable for stainless steel surfaces. Use a clean, hot, damp cloth to remove soap. Dry with a dry, clean cloth. Always scrub lightly in the direction of the grain.



Troubleshooting Tips

Problem	Possible Causes	What To Do
Oven will not come on	A fuse in your home may be blown or the circuit breaker tripped.	Replace fuse or reset circuit breaker.
	Power surge.	Unplug your microwave oven, then plug it back in.
	Plug not fully inserted into wall outlet.	Make sure 3-prong plug on oven is fully inserted into wall receptacle.
Control panel lighted, yet oven will not start	Door not securely closed.	Open the door and close securely
	Start/Pause button not pressed after entering cooking selection	Press Start/Pause
	Another selection entered already in oven and Cancel/Off not pressed to cancel it.	Press Cancel/Off
	Cooking time not entered after pressing Cook Time	Make sure you have entered cooking time after pressing Cook Time .
	Cancel/Off was pressed accidentally.	Reset cooking program and press Start/Pause .
	Food weight not entered after selecting Weight Defrost or Time Defrost	Make sure you entered food weight after pressing Defrost Weight .
	Oven was paused accidentally.	Press Start/Pause to restart the cooking program.
“LOC” appears on display	The control panel has been locked. (When the control panel is locked, “LOC” will be displayed.)	Press and hold Cancel/Off for about 3 seconds to unlock the control panel.
“FOOD” appears on display	The control detected that the door has not been opened after program ends.	Open the door. Food/beverage has not been removed.
“PF” appears on display	A Power Failure has occurred.	Press Cancel/Off to clear the display.
“F3” appears on display	A key has been activated for more than 60 seconds.	Press Cancel/Off to clear the display. This can happen if liquid is on the control panel. Dry the control panel thoroughly after cleaning.

Things That Are Normal With Your Microwave Oven

- Steam or vapor escaping from around the door.
- Light reflection around door or outer case.
- Dimming oven light and change in the blower sound at power levels other than high.
- Dull thumping sound while oven is operating.

FEDERAL COMMUNICATIONS COMMISSION (U.S.A.) RADIO FREQUENCY INTERFERENCE STATEMENT

This equipment generates and uses ISM frequency energy and if not installed and used properly, that is in strict accordance with the manufacturer's instructions, may cause interference to radio and television reception. It has been type tested and found to comply with limits for an ISM Equipment pursuant to part 18 of FCC Rules, which are designed to provide reasonable protection against such interference in a residential installation. However, there is no guarantee that interference will not occur in a particular installation. If this equipment does cause interference to radio or television reception, which can be determined by tuning the equipment off and on, the user is encouraged to try to correct the interference by one or more of the following:

- Reorient the receiving antenna of radio or television.
- Relocate the Microwave oven with respect to the receiver.
- Move the microwave oven away from the receiver.
- Plug the microwave oven into a different outlet so that microwave oven and receiver are on different branch circuits.

The manufacturer is not responsible for any radio or TV interference cause by unauthorized modification to this microwave oven. It is the responsibility of the user to correct such interference.

GE Appliances Microwave Oven Limited Warranty

LIMITED WARRANTY

Staple your receipt here. Proof of the original purchase date is needed to make a warranty claim.

For the period of	GE Appliances Will Choose to Repair or Replace:
One year From the date of the original purchase	Any product which fails due to a defect in materials or workmanship. The exchange unit is warranted for the remainder of your product's original one-year warranty period.

In Order to Make a Warranty Claim:
Call GE Appliances at 800 GE CARES (800 432-2737). Have the model number and serial number available.

What GE Appliances Will Not Cover:

- **Customer instructions.** This owner's manual provides information regarding operating instructions and user controls. The Owner's Manual is available online at GEAPPLIANCES.com
- **Improper installation, delivery or maintenance.**
- **Failure of the product or damage to the product if it is abused, misused (for example, cavity arcing from wire rack or metal/foil), or used for other than the intended purpose or used commercially.**
- **Replacement of house fuses or resetting of circuit breakers.**
- **Damage to the product caused by accident, fire, floods or acts of God.**
- **Incidental or consequential damage caused by possible defects with this appliance.**
- **Damage caused after delivery.**

EXCLUSION OF IMPLIED WARRANTIES
Your sole and exclusive remedy is product repair as provided in this Limited Warranty. Any implied warranties, including the implied warranties of merchantability or fitness for a particular purpose, are limited to one year or the shortest period allowed by law.

This limited warranty is extended to the original purchaser and any succeeding owner for products purchased for home use within the USA.

Some states do not allow the exclusion or limitation of incidental or consequential damages. This limited warranty gives you specific legal rights, and you may also have other rights which vary from state to state. To know what your legal rights are, consult your local or state consumer affairs office or your state's Attorney General.

Exclusion of implied warranties: Except where prohibited or restricted by law, there are no warranties, whether express, oral or statutory which extend beyond the description on the face hereof, including specifically the implied warranties of merchantability or fitness for a particular purpose.

Warrantor: GE Appliances, a Haier company

Consumer Support

GE Appliances Website

Have a question or need assistance with your appliance? Try the GE Appliances Website 24 hours a day, any day of the year! You can also shop for more great GE Appliances products and take advantage of all our on-line support services designed for your convenience. **GEAppliances.com**

Register Your Appliance

Register your new appliance on-line at your convenience! Timely product registration will allow for enhanced communication and prompt service under the terms of your limited warranty, should the need arise. You may also mail in the pre-printed registration card included in the packing material. **GEAppliances.com/register**

Schedule Service

Expert GE Appliances repair service is only one step away from your door. Get on-line and schedule your service at your convenience any day of the year. **GEAppliances.com/service** or call 800.432.2737 during normal business hours.

Remote Connectivity

For assistance with wireless network connectivity (for models with remote enable), visit our website at **<http://www.GEAppliances.com/ConnectMyMicrowave>**.

Parts and Accessories

Individuals qualified to service their own appliances can have parts or accessories sent directly to their homes (VISA, MasterCard and Discover cards are accepted). Order on-line today 24 hours every day.

GEApplianceparts.com or by phone at 877.959.8688 during normal business hours.

Contact Us

If you are not satisfied with the service you receive from GE Appliances, contact us on our Website at **GEAppliances.com/service/chat** with all the details including your phone number, or write to:

General Manager, Customer Relations | GE Appliances, Appliance Park | Louisville, KY 40225
GEAppliances.com/contact



FOUR À MICRO-ONDES

CONSIGNES DE SÉCURITÉ	3
UTILISATION DU FOUR	
Fonctions	6
Commandes	7
Niveaux de puissance	8
Fonctions Time et Auto	9
Autres fonctions	15
Notions importantes pour la cuisson aux micro-ondes	16
ENTRETIEN ET NETTOYAGE	17
DÉPANNAGE	18
Événements qui sont normaux	18
SOUTIEN AU CONSOMMATEUR	
Garantie limitée	19
Soutien au consommateur	20

Manuel d'utilisation

JEB1095

JES1095

Inscrivez les numéros de modèle et de série ici :

No de modèle _____

No de série _____

Vous les trouverez sur l'étiquette à l'intérieur du four.

NOUS VOUS REMERCIONS D'INTÉGRER GE APPLIANCES À VOTRE DEMEURE.

Que vous ayez grandi avec des électroménagers GE Appliances ou qu'il s'agisse de votre première acquisition, nous sommes heureux de vous accueillir dans notre famille.

Nous sommes fiers du savoir-faire, de l'innovation et du design qui constituent chaque électroménager GE, et nous pensons que vous le serez aussi. Nous vous rappelons que l'enregistrement de votre électroménager vous assure de recevoir des renseignements importants sur le produit et la garantie lorsque vous en avez besoin.

Enregistrez votre électroménager GE en ligne dès maintenant. Des sites Web et des numéros de téléphone utiles figurent dans la section Soutien au consommateur de ce manuel d'utilisation. Vous pouvez également envoyer par courrier la carte d'enregistrement pré-imprimée qui se trouve dans l'emballage de votre appareil.



GE APPLIANCES

INSTRUCTIONS DE SÉCURITÉ IMPORTANTES

LISEZ TOUTES LES INSTRUCTIONS AVANT D'UTILISER L'APPAREIL

⚠ WARNING

Afin de réduire le risque de brûlure, de choc électrique, d'incendie, de blessure corporelle ou d'exposition excessive aux micro-ondes :

L'utilisation d'appareils électriques implique d'observer des précautions élémentaires, dont les suivantes :

- Lisez toutes les instructions avant d'utiliser cet appareil.
- Lisez et observez les consignes particulières de la section PRÉCAUTIONS POUR ÉVITER L'EXPOSITION EXCESSIVE AUX MICRO-ONDES à la page 5.
- Utilisez cet appareil uniquement aux fins dont il est fait mention dans ce manuel. N'utilisez pas de produits ni de vapeurs chimiques corrosifs dans cet appareil. Ce four est conçu spécifiquement pour chauffer, sécher ou cuire des aliments et il n'est pas destiné à un usage industriel ou en laboratoire.
- Ce micro-ondes ne doit être réparé que par un technicien en réparation qualifié. Contactez le centre de service autorisé le plus près pour une inspection, une réparation ou un ajustement.

INSTALLATION

- Installez ou placez cet appareil uniquement selon les instructions d'installation fournies.
- Cet appareil doit être mis à la terre. Branchez-le dans une prise électrique correctement mise à la terre seulement. Voyez la section INSTRUCTIONS DE MISE À LA TERRE à la page 5.
- Veillez à placer la surface avant de la porte à 3 po ou plus derrière le bord supérieur du comptoir pour éviter tout basculement accidentel de l'appareil dans des conditions normales d'utilisation.
- Dégagements recommandés : 3 pouces de chaque côté, 3 pouces en haut et 1 pouce à l'arrière.
- N'utilisez pas cet appareil si son cordon d'alimentation ou sa fiche sont endommagés, s'il ne fonctionne pas correctement ou s'il a été échappé ou endommagé autrement.
- Gardez le cordon à l'écart des surfaces chaudes.
- Ne laissez pas le cordon pendre par-dessus le bord d'une table ou d'un comptoir.
- N'immergez pas le cordon ni la fiche dans l'eau.
- Ne recouvrez et ne bloquez pas les orifices de l'appareil.
- Ne rangez pas cet appareil à l'extérieur. N'utilisez pas cet appareil près de l'eau, par exemple dans un sous-sol mouillé, près d'une piscine, d'un évier ou d'autres endroits similaires.

- N'installez pas cet appareil au-dessus d'un évier.

POUR RÉDUIRE LE RISQUE D'INCENDIE DANS LA CAVITÉ :

- Ne faites pas cuire les aliments excessivement. Surveillez attentivement l'appareil lorsque du papier, du plastique ou d'autres matières combustibles sont placés à l'intérieur du four pour faciliter la cuisson.
- Retirez les attaches en broche et les poignées métalliques des contenants en papier ou en plastique avant de les placer dans le four.
- Ne rangez aucun objet dans ce four (sauf les accessoires que nous recommandons) quand il n'est pas utilisé. Ne laissez pas des produits en papier, des ustensiles ni des aliments dans la cavité lorsque le four n'est pas utilisé. Toute tablette ou support doivent être retirés du micro-ondes lorsque celui-ci n'est pas utilisé.
- Si des matières s'enflamment à l'intérieur du four, gardez la porte fermée, éteignez le four (Off) et débranchez le cordon d'alimentation ou coupez le courant au fusible ou au disjoncteur.
- Ne faites pas fonctionner le four, quelle que soit la commande, sans aliments à l'intérieur.

POUR RÉDUIRE LE RISQUE DE BRÛLURE :

- Usez de prudence en ouvrant des contenants de nourriture très chaude. Utilisez des mitaines de four et dirigez la vapeur à l'écart du visage et des mains.
- Ventilez, percez ou incisez les contenants, les sachets ou les sacs en plastique afin de prévenir l'augmentation de pression
- Usez de prudence lorsque vous touchez le plateau tournant, la porte, les supports ou les parois du four qui peuvent devenir chauds pendant l'utilisation.
- **LE CONTENU CHAUD PEUT PROVOQUER DE GRAVES BRÛLURES. NE LAISSEZ PAS LES ENFANTS UTILISER LE FOUR À MICRO-ONDES.** Usez de prudence lors du retrait des articles chauds.

LISEZ TOUTES LES INSTRUCTIONS AVANT D'UTILISER L'APPAREIL

⚠ WARNING

UTILISATION

- N'utilisez pas le four sans son plateau tournant bien en place. Le plateau tournant doit pouvoir tourner librement sans restriction.
- Assurez-vous d'utiliser des ustensiles de cuisson qui conviennent aux fours à micro-ondes. La plupart des casseroles en verre, des assiettes pour cuire, des tasses à mesurer, des ramequins et des articles de cuisine en céramique ou en porcelaine (qui n'ont pas de garniture en métal ni de glaçage au lustre métallique) peuvent être utilisés en observant les recommandations de leur fabricant.
- Ne placez rien directement sur le dessus du micro-ondes lorsqu'il est en marche.
- Certains produits comme les œufs entiers et les contenants scellés (p. ex. pot fermé) peuvent exploser et ne doivent pas être chauffés au four à micro-ondes.
- Ne faites pas trop cuire les pommes de terre. Elles peuvent se déshydrater et prendre feu.
- Ne recouvrez aucune autre partie du four avec du papier aluminium. Cela causerait la surchauffe du four.
- Cuissez la viande et la volaille à fond —la viande à une température INTERNE minimale de 160°F et la volaille à une température INTERNE minimale de 180°F. La cuisson à ces températures protège généralement contre les maladies d'origine alimentaire.
- Ce four n'est pas approuvé ni testé pour un usage en milieu marin..

NETTOYAGE

- Gardez le four exempt d'accumulation de graisse.
- Ne nettoyez pas le four avec des tampons à récurer métalliques. Des pièces peuvent brûler le tampon et toucher des pièces électriques qui présentent un risque de choc électrique.
- Pour nettoyer les surfaces de la porte et du four qui se touchent en fermant la porte, utilisez seulement des savons doux, non abrasifs, ou des détergents appliqués avec une éponge ou un linge doux et propres.

EAU TRÈS CHAUDE

- Les liquides tels que l'eau, le café ou le thé peuvent surchauffer au-delà du point d'ébullition sans que cela ne paraisse. Des bulles ou d'autres signes d'ébullition ne sont pas toujours visibles lorsque le contenant est retiré du four à micro-ondes. Ce Phénomène Peut Causer Un Débordement De Liquide Extrêmement Chaud Lorsque Le Contenant Est Agité Ou Lorsqu'une Cuillère Ou Un Autre Ustensile Sont Insérés Dans Le Liquide.
- Pour réduire le risque de blessure aux personnes :
 - Ne surchauffez pas le liquide.
 - Brassez le liquide avant et à la mi-temps du chauffage.
 - N'utilisez pas des contenants droits dont l'ouverture est étroite.
 - Après le chauffage, laissez le contenant dans le micro-ondes durant une brève période avant de le retirer.
 - Usez d'une extrême prudence lorsque vous insérez une cuillère ou un autre ustensile dans le contenant.

LISEZ ET CONSERVEZ CES INSTRUCTIONS

LISEZ TOUTES LES INSTRUCTIONS AVANT D'UTILISER L'APPAREIL

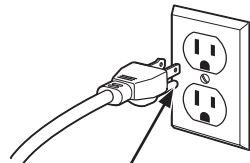
PRÉCAUTIONS POUR ÉVITER UNE EXPOSITION EXCESSIVE AUX MICRO-ONDES

- (a) Ne faites pas fonctionner ce four avec la porte ouverte car cela peut occasionner une exposition nocive aux micro-ondes. Il est important de ne pas nuire ni modifier les verrous de sécurité.
- (b) Ne placez aucun objet entre la face avant du four et la porte, et ne permettez pas à la saleté ou aux résidus de nettoyant de s'accumuler sur les surfaces d'étanchéité.
- (c) Ne faites pas fonctionner le four s'il est endommagé. Il est particulièrement important que la porte du four se ferme correctement et qu'il n'y ait aucun dommage aux éléments suivants :
 - (1) la porte (tordue);
 - (2) les charnières et les loquets (brisés ou desserrés);
 - (3) les joints de porte et les surfaces d'étanchéité.
- (d) Le four ne doit être réglé ou réparé que par un technicien en réparation qualifié.

INSTRUCTIONS DE MISE À LA TERRE

▲ AVERTISSEMENT

Une utilisation incorrecte de la fiche à mise à la terre peut poser un risque de choc électrique.



Assurez-vous d'une mise à la terre correcte avant l'utilisation

Cet appareil doit être mis à la terre. Dans l'éventualité d'un court-circuit, la mise à la terre réduit les risques de choc électrique en procurant une voie d'échappement au courant électrique.

Cet appareil est doté d'un cordon d'alimentation dont le câble et la fiche sont mis à la terre. La fiche doit être branchée dans une prise correctement installée et mise à la terre.

Consultez un électricien ou un technicien en réparation agréés si les INSTRUCTIONS DE MISE À LA TERRE ne sont pas entièrement comprises, ou si un doute existe quant à l'exactitude de la mise à la terre de l'appareil.

Si vous ne disposez que d'une prise murale à deux trous, vous avez la responsabilité et l'obligation de la remplacer par une prise à trois trous correctement mise à la terre.

En aucun cas, vous ne devez couper ni retirer la troisième broche (terre) du cordon d'alimentation.

N'utilisez pas un cordon de rallonge avec cet électroménager. Si le cordon d'alimentation est trop court, demandez à un électricien ou un technicien agréés d'installer une prise à proximité de l'appareil.

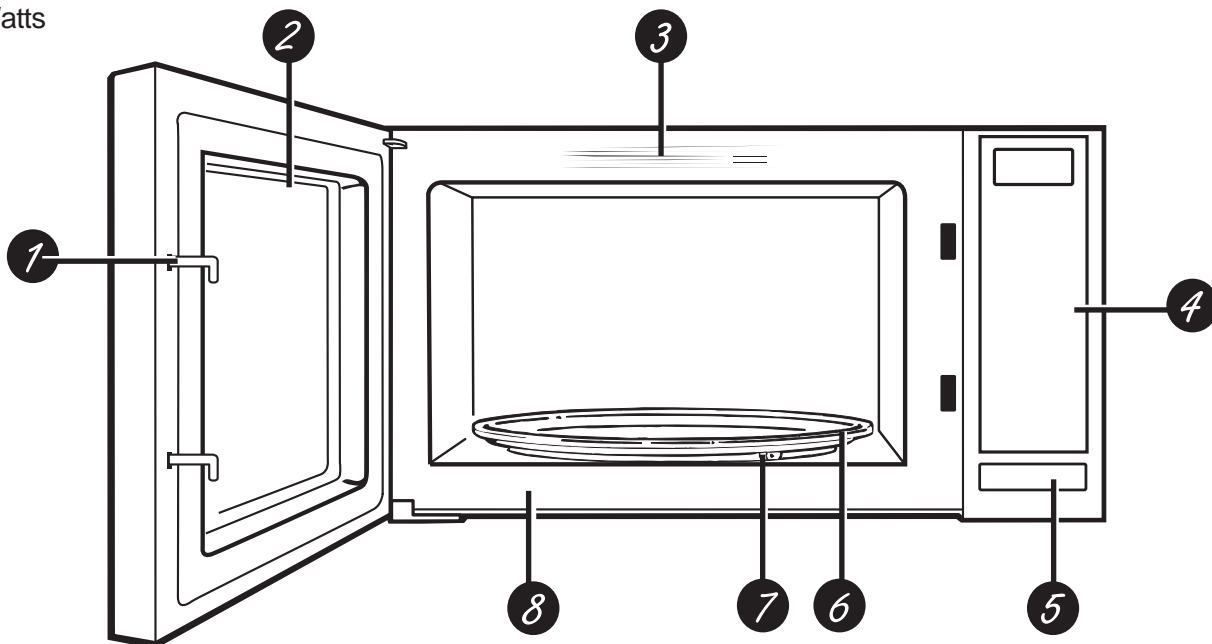
STIMULATEURS CARDIAQUES

La plupart des stimulateurs cardiaques sont protégés contre l'interférence des produits électroniques, y compris les four à micro-ondes. Cependant, les patients qui portent un stimulateur cardiaque peuvent consulter leur médecin s'ils ont des doutes.

Fonctions

Dans ce manuel, les caractéristiques et l'apparence peuvent varier selon le modèle.

900 Watts



1. Loquets de porte.

2. Fenêtre avec écran métallique. Le treillis permet d'observer la cuisson tout en maintenant les micro-ondes confinées dans la cavité.

3. Guide pratique

4. Écran du panneau de commande.

5. Détente du loquet de porte. Appuyez sur la détente du loquet pour ouvrir la porte.

6. Plateau tournant amovible. Le plateau tournant et le support doivent être en place lors de l'utilisation du four. Le plateau tournant peut être retiré pour le nettoyage.

7. Support de plateau tournant amovible. Le support du plateau tournant doit être en place lors de l'utilisation du four. Le support du plateau tournant peut être retiré pour le nettoyage.

8. Plaque signalétique. La plaque signalétique se trouve à l'avant du four à micro-ondes.

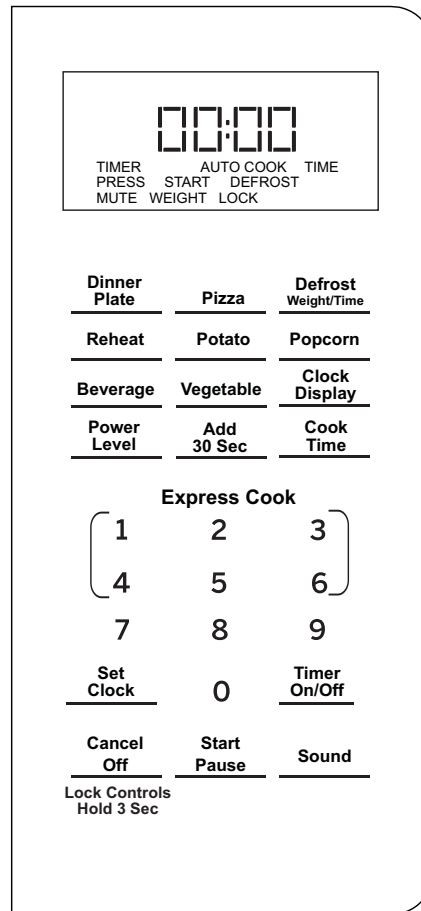
Accessoires en option

Trousse d'installation encastrée achetée séparément. Requise pour les modèles GE Appliances JEB1095 et non disponible pour les modèles GE Appliances JES1095

Modèle	Trousse	Couleur
JEB1095	JX1095S4TBB	Noir
	JX1095S4TSS	Acier inoxydable
JES1095BMTS	N/A	
JES1095DMBB	N/A	
JES1095DMWW	N/A	
JES1095DMSS	N/A	

Commandes

Vous pouvez cuire les aliments au moyen des fonctions Time (temps) ou Convenience (commodité).



Les fonctions des boutons de commande sont expliquées dans les pages suivantes.

A propos des fonctions

Power Level (niveau de puissance)

Vous pouvez entrer ou modifier le niveau de puissance immédiatement après la saisie du temps de cuisson pour les modes Cook Time ou Express Cook. Le niveau de puissance peut également être modifié pendant la cuisson.

1. Appuyez sur **Cook Time** et entrez le temps de cuisson.
2. Appuyez sur le bouton **Power Level** et sélectionnez le niveau de puissance (1 à 10).
3. Appuyez sur le bouton **Start/Pause** pour démarrer la cuisson.

Plusieurs niveaux de puissance ajoutent de la polyvalence à la cuisson aux micro-ondes. Les niveaux de puissance du four peuvent se comparer aux éléments de surface d'une cuisinière. Chaque niveau de puissance attribue à l'énergie du micro-ondes un certain pourcentage de temps. Le niveau 7 procure de l'énergie 70% du temps. Le niveau 3 procure de l'énergie 30% du temps. La plupart des cuissons seront réalisés au niveau de puissance 10, ce qui vous donne 100 % de puissance.

Le niveau de puissance 10 cuit plus rapidement mais l'aliment nécessite des brassages, des rotations ou des retournements plus fréquents. Un réglage moins élevé cuit plus uniformément et nécessite moins de brassage ou de rotation de l'aliment.

Certains aliments peuvent avoir une meilleure saveur, texture ou apparence si l'un des bas niveaux est utilisé. Utilisez un niveau de puissance plus bas lorsque vous

cuissez des aliments qui ont tendance à déborder, tels que les pommes de terre à la normande.

Des périodes d'arrêt (lorsque l'énergie des micro-ondes s'arrête) permettent aux aliments de « s'équilibrer » ou de transférer leur chaleur à l'intérieur. Un exemple de cela est donné par le niveau de puissance 3, le cycle de décongélation. Si l'énergie du micro-ondes ne s'arrêtait pas, l'extérieur de l'aliment cuirait avant que son intérieur puisse décongeler.

Voici quelques exemples d'usage à différents niveaux de puissance :

Niveau de puissance 10 : Poisson, bacon, légumes, chauffage de liquides.

Moyen-Élevé 7 : Cuisson délicate de viande ou de volaille; cuisson de casseroles et réchauffage.

Moyen 5 : Cuisson lente et attendrissage pour les ragouts et les pièces de viande moins tendres.

Bas 2 ou 3 : Décongélation; mijotage; sauces délicates.

Chaud 1 : Conserver l'aliment chaud; amollir le beurre.

A propos des fonctions

Cook Time (temps de cuisson)

Vous pouvez régler un temps de cuisson jusqu'à 99 minutes et 99 secondes.

1. Appuyez sur **Cook Time**.
2. Entrez le temps de cuisson.
3. Le niveau de puissance est automatiquement réglé sur 10, mais si vous souhaitez le réduire, appuyez sur **Power Level**, puis sélectionnez un niveau de 1 à 9.
4. Appuyez sur **Start/Pause**.

Vous pouvez ouvrir la porte pendant la cuisson pour vérifier l'aliment. Fermez la porte et appuyez sur Start/Pause pour redémarrer la cuisson.

Cuisson à plusieurs étapes

Il est possible de régler au maximum 2 étapes pour la cuisson. En cuisson à plusieurs étapes, si une étape est le dégivrage, alors le dégivrage doit être automatiquement placé à la première étape.

Remarque : La cuisson automatique ne peut pas fonctionner avec la cuisson à plusieurs étapes.

Exemple : si vous souhaitez cuire avec une puissance de micro-ondes de 80 % pendant 5 minutes + une puissance de micro-ondes de 60 % pendant 10 minutes. Les étapes de cuisson sont les suivantes :

1. Appuyez une fois sur **Time Cook**, puis sur « 5 », « 0 », « 0 » pour régler le temps de cuisson.
2. Appuyez une fois sur **Power**, puis « 8 » pour sélectionner 80 % de puissance micro-ondes.
3. Appuyez une fois sur **Time Cook**, puis sur « 0 », « 0 », « 0 » pour régler le temps de cuisson.
4. Appuyez une fois sur **Power**, puis « 6 » pour sélectionner 60 % de puissance micro-ondes.
5. Appuyez sur **Start/Pause**.

A propos des fonctions

Time Defrost (décongélation minutée)

La fonction Time Defrost vous permet de décongeler durant une période de temps sélectionnée. Voyez le Guide de décongélation pour des suggestions de temps.

1. Appuyez deux fois sur **Defrost** (l'affichage doit indiquer Time Defrost).
2. Entrez le temps de décongélation.
3. Appuyez sur **Start/Pause**.

Le niveau de puissance est automatiquement réglé sur 3, mais peut être modifié. Vous pouvez dégivrer rapidement de petits articles en augmentant le niveau de puissance après avoir saisi l'heure. Le niveau de puissance 7 réduit le temps total de dégivrage d'environ la moitié ; le niveau de puissance 10 réduit le temps total d'environ 1/3. Cependant, les aliments auront besoin d'une attention plus fréquente que d'habitude.

Un bruit sourd peut se faire entendre pendant la décongélation. Cela est normal lorsque le four ne fonctionne pas à la puissance élevée..

Conseils relatifs à la décongélation

- Les aliments congelés dans du papier ou du plastique peuvent être décongelés dans l'emballage. Les emballages fermés doivent être incisés, percés ou ventilés APRÈS la décongélation partielle de l'aliment. Les contenants de rangement en plastique doivent être partiellement ouverts.
- Les repas congelés préemballés de format familial peuvent être décongelés et réchauffés au micro-ondes. Si l'aliment est dans un contenant en aluminium, transférez-le dans une assiette qui va au micro-ondes.
- Pour une décongélation encore plus uniforme des aliments de plus grande taille tels que rôtis, utilisez la fonction Defrost Weight (poids à décongeler). Assurez-vous que les grandes pièces de viandes sont complètement décongelées avant la cuisson.
- Les aliments qui se gâtent facilement ne doivent pas rester à température ambiante plus d'une heure après la décongélation. La température ambiante favorise la croissance de bactéries nocives.
- Une fois décongelé, l'aliment doit être frais mais amolli dans toutes ses parties. S'il est encore légèrement glacé, remettez-le au micro-ondes très brièvement ou laissez-le reposer quelques minutes à la minuterie.

Weight Defrost (dégivrage selon le poids)

La fonction de décongélation selon le poids règle automatiquement les temps de décongélation et les niveaux de puissance pour obtenir des résultats de décongélation uniformes pour les viandes, la volaille et les poissons pesant jusqu'à six livres (2,7 kg).

1. Appuyez sur **Defrost** (l'affichage doit indiquer Weight Defrost).
2. À l'aide du guide de conversion, entrez le poids de l'aliment. Par exemple, pressez les touches 1 et 2 pour 1,2 livres (1 livre, 3 onces).
3. Appuyez sur **Start/Pause**.

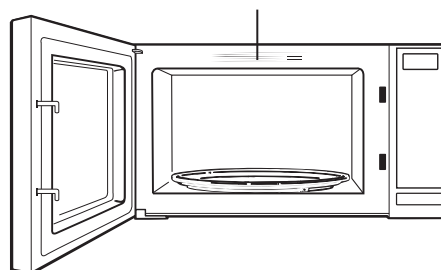
Un guide de cuisson se trouve à l'intérieur avant du four.

Guide de conversion

Si le poids de l'aliment est écrit en poids et onces, les onces doivent être converties en dixièmes (0,1) de livre.

Onces	Livres
1–2	.1
3	.2
4–5	.3
6–7	.4
8	.5
9–10	.6
11	.7
12–13	.8
14–15	.9

Guide de cuisson



A propos des fonctions

Guide de décongélation

Aliment	Temps	Commentaires
Pains, gâteaux		
Pain, petit pain au lait ou pains mollets (1 unité)	1/4 min.	Redisposez après la mi-temps.
Brioche (env. 12 oz)	2 to 4 min.	
Poisson et fruits de mer		
Filets, congelés (1 lb)	6 to 9 min.	Placez le bloc dans une casserole. Retournez et divisez après la première moitié du temps.
Fruits de mer, petits (1 lb)	3 to 7 min.	
Viande		
Sachet en plastique – 1 ou 2 (Emballage de 10 oz)	1 to 5 min.	
Meat		
Bacon (1 lb.)	2 to 5 min.	Placez l'emballage non ouvert dans le four. Laissez reposer 5 minutes après la décongélation.
Saucisses (1 lb)	2 to 5 min.	Placez l'emballage non ouvert dans le four. Chauffez jusqu'à pouvoir séparer les saucisses. Laissez reposer 5 minutes, si nécessaire, pour compléter la décongélation.
Viande hachée (1 lb.)	4 to 6 min.	Retournez la viande après la première moitié du temps.
Rôti : bœuf, agneau, veau, porc	9 to 12 min. per lb.	Utilisez le niveau de puissance 1 (juste chaud).
Steaks, côtelettes et escalopes	4 to 8 min. per lb.	Placez la viande déballée dans une assiette de cuisson. Retournez après la première moitié du temps et recouvrez les parties chaudes avec du papier aluminium. Après la deuxième moitié du temps, séparez les parties avec un couteau de table. Laissez reposer pour compléter la décongélation.
Volaille		
Poulet, pour griller, rôtir, découpé (2 ½ à 3 lb)	14 to 19 min.	Placez le poulet enveloppé dans une assiette. Déballez et retournez après la première moitié du temps. Après la deuxième moitié du temps, séparez les parties et placez-les dans une assiette de cuisson. Chauffez 2 à 4 minutes de plus, si nécessaire. Laissez reposer quelques minutes pour terminer la décongélation.
Poulet, entier (2 ½ à 3 lb)	20 to 24 min.	Placez le poulet enveloppé dans une assiette. Après la première moitié du temps, déballez et retournez le poulet. Recouvrez les parties chaudes avec du papier aluminium. Pour compléter la décongélation, mettez de l'eau froide dans la cavité jusqu'à ce que les abats puissent être retirés.
Poulet Cornish	7 to 12 min. per lb.	Placez le poulet déballé dans le four avec poitrine vers le haut. Retournez le poulet après la première moitié du temps. Mettez de l'eau froide dans la cavité jusqu'à ce que les abats puissent être retirés.
Poitrine de dinde (4 à 6 lb)	3 to 8 min. per lb.	Placez la poitrine déballée dans une assiette qui va au micro-ondes, côté poitrine vers le bas. Après la première moitié du temps, retournez le poulet avec poitrine vers le haut et recouvrez les parties chaudes avec du papier aluminium. Décongelez durant la deuxième moitié du temps. Laissez reposer 1 à 2 heures au réfrigérateur pour terminer la décongélation.

A propos des fonctions

Express Cook (cuisson rapide)

Il s'agit d'un moyen rapide de régler le temps de cuisson de 1 à 6 minutes.

Appuyez sur l'une des touches **Express Cook** (de 1 à 6) pour 1 à 6 minutes de cuisson au niveau de puissance 10. Par exemple, appuyez sur la touche 2 pour 2 minutes de cuisson.

Le niveau de puissance peut être modifié au fur et à mesure du décompte. Appuyez sur **Power Level** et entrez de 1 à 10.

Remarque : La fonction de cuisson rapide s'applique uniquement aux touches 1 à 6.

Add 30 Sec (ajouter 30 secondes)

Cette fonction ajoutera 30 secondes au temps de décompte à chaque pression de la touche. Chaque pression ajoute 30 secondes, jusqu'à 99 minutes et 99 secondes.

Le four démarre immédiatement dès que la touche est pressée.

A propos des fonctions

Assiette à dîner

1. Appuyez sur **Dinner plate** pour sélectionner 1 ou 2 tasses (8 à 10 oz chacune).
2. Pressez **Start**.

Menu	Appuyez sur la touche ce nombre de fois	Taille de l'assiette
Dinner Plate	1	1 tasse
Dinner Plate	2	2 tasses

Pizza

1. Appuyez sur **Pizza** pour sélectionner 1 ou 2 tranches (3 oz par tranche).
2. Appuyez sur **Start**.

Menu	Appuyez sur la touche ce nombre de fois	Taille de la pizza
Pizza	1	1 tranche
Pizza	2	2 tranches

Reheat (réchauffage)

La fonction Reheat réchauffe 1 ou 2 tasses d'aliments déjà cuits ou une assiette de restes.

1. Appuyez sur **Reheat** pour sélectionner 1 ou 2 tasses (8 à 10 oz chacune).
2. Appuyez sur **Start**

Après le retrait de l'aliment du four, brassez, si possible, pour répartir la température. Si les aliments ne sont pas assez chauds, n'utilisez pas à nouveau le bouton Reheat. Utilisez Cook Time pour réchauffer.

Menu	Appuyez sur la touche ce nombre de fois	Quantité du réchauffage
Réchauffage	1	1 tasse
Réchauffage	2	2 tasses

Potato (pommes de terre)

1. Appuyez sur **Potato** pour sélectionner 1, 2 ou 3 pommes de terre.
2. Appuyez sur **Start**.

Si les pommes de terre ne sont pas cuites à votre satisfaction, n'utilisez pas à nouveau le bouton Potato. Utilisez Cook Time.

Menu	Appuyez sur la touche ce nombre de fois	Quantité de pomme(s) de terre
Pommes de terre	1	1 pomme de terre
Pommes de terre	2	2 pomme de terres
Pommes de terre	3	3 pomme de terres

A propos des fonctions

Popcorn (maïs soufflé)

1. Si vous souhaitez cuire un emballage de moins de 1,75 oz ou plus de 3,5 oz, utilisez Cook Time et suivez les instructions sur l'emballage.

2. Appuyez sur **Popcorn** pour sélectionner les onces, puis appuyez sur Start/Pause.

Si le maïs soufflé n'est pas à votre satisfaction. Utilisez le bouton Cook Time pour poursuivre la cuisson.

Menu	Appuyez sur la touche ce nombre de fois	Quantité de maïs soufflé
Maïs soufflé	1	1.75 Oz
Maïs soufflé	2	3.0 Oz
Maïs soufflé	3	3.5 Oz

Boisson

1. Appuyez sur **Beverage** pour sélectionner 1 ou 2 tasses (8 à 10 oz chacune).

Les boissons chauffées avec la fonction Beverage peuvent être très chaudes. Retirez le récipient avec précaution.

Si la boisson n'est pas assez chaude pour vous, n'utilisez pas à nouveau le bouton Beverage pour continuer à la chauffer. Utilisez le bouton Cook Time pour poursuivre le chauffage.

Menu	Appuyez sur la touche ce nombre de fois	Quantité de boisson
Beverage	1	1 Cup
Beverage	2	2 Cups

Légumes

Utilisez la fonction **Vegetable** pour cuire 4 à 16 onces de légumes surgelés.

1. Appuyez sur **Vegetable** pour sélectionner 1, 2, 3 ou 4 tasses (4 oz chacune).

2. Appuyez sur **Start**.

Si les légumes ne sont pas cuits à votre satisfaction, n'utilisez pas à nouveau le bouton **Vegetable**. Utilisez **Cook Time**.

Menu	Appuyez sur la touche ce nombre de fois	Quantité de légumes surgelés
Légumes surgelés	1	1 Cup
Légumes surgelés	2	2 Cups
Légumes surgelés	3	3 Cups
Légumes surgelés	4	4 Cups

Autres fonctions

Insérer un rappel de nourriture

Un rappel s'affichera à l'écran si l'utilisateur tente de démarrer le cycle de cuisson sans placer les aliments dans le four à micro-ondes dans les 5 minutes précédant le démarrage du cycle de cuisson.

Rappel de fin de cuisson

Pour vous rappeler que vous avez des aliments dans le four, le four affiche « END » et émet un bip une fois par minute jusqu'à ce que vous ouvriez la porte du four ou que vous appuyiez sur la touche **Cancel/Off**.

Verrouillage des commandes

Vous pouvez verrouiller le panneau de commande pour empêcher le démarrage accidentel du micro-ondes ou l'utilisation par les enfants.

Pour verrouiller ou déverrouiller les commandes, maintenez une pression sur **Cancel/Off** (annuler/arrêt) durant environ 3 secondes. Lorsque le panneau de commande est verrouillé, « LOC » apparaît à l'écran.

Clock Display (affichage de l'horloge)

Pour activer ou désactiver l'affichage de l'horloge, appuyez sur Clock Display. La fonction On/Off de l'affichage ne peut pas être utilisée lorsqu'une fonction de cuisson est utilisée.

Set Clock (réglage de l'horloge)

Appuyez sur ce bouton pour entrer l'heure ou pour vérifier l'heure du jour pendant la cuisson au four à micro-ondes.

1. Appuyez sur **Set Clock**.
 2. Entrez l'heure du jour.
 3. Appuyez sur **Start** ou **Set Clock**.
-

Start/Pause (Départ/Pause)

En plus de démarrer de nombreuses fonctions, Start/Pause vous permet d'arrêter la cuisson sans ouvrir la porte ou effacer l'affichage.

Pressez **Start/Pause** à nouveau pour redémarrer le four.

Timer On/Off (activation/désactivation de la minuterie)

La fonction Timer On/Off fonctionne comme une minuterie et peut être utilisée à tout moment, même lorsque le four est en fonctionnement.

Lorsque le temps est écoulé, le four émet un signal. Pour désactiver le signal de la minuterie, appuyez sur **Timer On/Off**.

1. Appuyez sur **Timer On/Off**.
 2. Entrez la durée du compte à rebours.
 3. Appuyez sur **Timer On/Off** pour démarrer.
-

L'afficheur indique le temps de compte à rebours de la minuterie, même lorsque le four est en marche.

Sound (tonalité)

Vous pouvez désactiver tous les signaux sonores en appuyant sur le bouton Sound pour que MUTE (silence) s'affiche à l'écran.

Appuyez de nouveau sur le bouton Sound pour retirer MUTE de l'écran et réactiver tous les signaux sonores

Notions importantes pour la cuisson aux micro-ondes

Notion	Définition
Formation d'arc	<p>La formation d'arc se matérialise par l'apparition d'étincelles dans le four.</p> <p>La formation d'arc est causée par :</p> <ul style="list-style-type: none"> • du métal ou du papier aluminium qui touche le côté du micro-ondes; • du papier aluminium qui n'épouse pas la forme de l'aliment (les coins retournés agissent comme des antennes); • des objets métalliques comme des attaches torsadées, des broches à volaille, des assiettes à bordure d'or; • des serviettes de papier recyclé qui contiennent des particules métalliques; • l'anneau du plateau tournant incorrectement installé.
Recouvrement	<p>Les couvercles retiennent l'humidité, favorise la répartition de la chaleur et réduisent le temps de cuisson. La ventilation des emballages en plastique ou le recouvrement avec du papier ciré permet à l'excès de vapeur de s'échapper.</p>
Écran de protection	<p>Dans un four conventionnel, vous protégez les poitrines de poulet ou les autres aliments cuits au four afin de contrôler le brunissement. Dans le four à micro-ondes, utilisez des petites bandes de papier aluminium pour protéger les parties minces, telles que le bout des ailes et les pattes de la volaille, qui cuisent plus rapidement que les parties plus épaisses</p>
Temps de repos	<p>Lorsque vous cuisez dans un four conventionnel, des aliments tels que les rôtis ou les gâteaux sont laissés en repos pour terminer de cuire ou de prendre leur consistance finale. Le temps de repos est particulièrement important pour la cuisson aux micro-ondes. Notez qu'un gâteau aux micro-ondes n'est pas placé sur un support pour refroidir</p>
Ventilation	<p>Après le recouvrement d'une assiette avec une pellicule en plastique, vous ventilez la pellicule en retournant un coin pour laisser échapper l'excès de vapeur</p>

Entretien et nettoyage

Conseils utiles

À l'occasion, un essuyage rigoureux à l'aide d'une solution de bicarbonate de sodium et d'eau garde l'intérieur frais.

Assurez-vous de débrancher l'alimentation électrique avant de nettoyer n'importe quelle partie du micro-ondes.

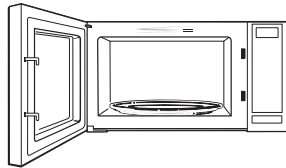


Comment nettoyer l'intérieur

Les parois, le plancher, la fenêtre intérieure, les pièces en métal et en plastique sur la porte

On peut nettoyer certaines éclaboussures avec une serviette de papier; d'autres nécessitent un linge humide. Retirez les éclaboussures graisseuses avec un linge savonneux, puis rincez avec un linge humide. N'utilisez pas de nettoyants abrasifs ni des ustensiles coupants sur les parois du four.

Pour nettoyer la surface de la porte et la surface du four qui se réunissent lors de la fermeture, utilisez uniquement des savons ou des détergents doux et non abrasifs à l'aide d'une éponge ou d'un chiffon doux. Rincez avec un chiffon humide et séchez.



N'utilisez jamais un nettoyant pour four (cuisinière) du commerce sur quelque partie du micro-ondes que ce soit.

Plateau tournant et support amovibles

Afin de prévenir le bris, ne placez pas le plateau tournant dans l'eau immédiatement après la cuisson. Lavez-le avec soin dans l'eau savonneuse ou au lave-vaisselle. Le plateau tournant et son support peuvent se briser s'ils sont échappés. Rappelez-vous de ne pas faire fonctionner le micro-ondes dans le mode cuisson sans le plateau tournant et son support correctement déposés en place.



Comment nettoyer l'extérieur

N'utilisez pas de produits de nettoyage contenant de l'ammoniac ou de l'alcool sur le four à micro-ondes. L'ammoniac ou l'alcool peut endommager l'apparence du micro-ondes.

Carrosserie

Nettoyez l'extérieur du micro-ondes avec un linge savonneux. Rincez puis séchez. Essuyez la fenêtre avec un linge humide.

Panneau de commande et porte

Essuyez le panneau avec un linge humide. Séchez-le à fond. N'utilisez pas des nettoyants en aérosol, de grandes quantités de savon et d'eau, des objets abrasifs ou coupants sur le panneau, ils peuvent l'endommager. Certaines serviette de papier peuvent aussi rayer le panneau de commande.

Surface de la porte

Il est important de garder propres les surfaces où la porte s'appuie contre le micro-ondes. Utilisez des détergents doux non abrasif appliqués avec une éponge ou un linge doux et propres. Rincez bien.

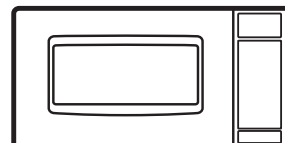
Cordon électrique

Si le cordon est sale, débranchez-le et lavez-le avec un chiffon humide. Pour les taches tenaces, il est possible d'utiliser de l'eau savonneuse, mais veillez à rincer avec un chiffon humide puis séchez à fond avant de brancher le cordon dans la prise.

Acier inoxydable (certains modèles)

N'utilisez pas de tampon en laine d'acier, car cela rayera la surface.

Pour nettoyer la surface en acier inoxydable, utilisez un linge imbibé d'une solution d'eau chaude et détergent doux qui convient aux surfaces acier inoxydable. Utilisez un linge propre imbibé d'eau chaude pour retirer le savon. Séchez à l'aide d'un linge doux et propre. Frottez toujours légèrement dans le sens du grain.



Conseils de dépannage

Problème	Causes probables	Correctifs
Le four ne démarre pas	Un fusible de votre domicile est peut-être grillé ou le disjoncteur s'est déclenché	Remplacez le fusible ou réenclenchez le disjoncteur
	Saute de puissance	Débranchez le four à micro-ondes, puis rebranchez-le
	La fiche n'est complètement insérée dans la prise murale	Assurez-vous que la fiche à 3 broches du four est complètement insérée dans la prise murale
Le panneau de commande est éclairé, mais le four ne démarre pas	La porte n'est pas bien fermée	Ouvrez la porte puis refermez-la bien
	La touche Start/Pause n'a pas été pressée après la sélection de la cuisson	Pressez la touche Start/Enter
	Une autre sélection a déjà été entrée et la touche Cancel/Off n'a pas été pressée pour l'annuler	Pressez la touche Cancel/Off
	Le temps de cuisson n'a pas été entré après une pression sur Cook Time	Assurez-vous d'avoir entré le temps de cuisson après une pression sur Cook Time
	La touche Cancel/Off a été pressée par mégarde	Réinitialisez la programmation de cuisson et pressez Start/Enter
	Le poids de l'aliment n'a pas été entré après la sélection de Weight Defrost ou Time Defrost	Assurez-vous d'avoir entré le poids de l'aliment après la sélection de Weight Defrost ou Time Defrost
Le mot « LOC » s'affiche sur l'écran	Le panneau de commande a été verrouillé	Maintenez une pression sur Cancel/Off durant environ 4 secondes pour déverrouiller le panneau de commande
Le mot « FOOD » s'affiche sur l'écran	Le panneau de commande a détecté que la porte n'a pas été ouverte après la fin du programme.	Ouvrez la porte. Les aliments/boissons n'ont pas été retirés.
Le mot « PF » s'affiche sur l'écran	Une panne de courant s'est produite.	Appuyez sur Cancel/Off pour effacer l'affichage.
Le mot « F3 » s'affiche sur l'écran	Une touche a été activée pendant plus de 60 secondes.	Appuyez sur Cancel/Off pour effacer l'affichage. Cela peut se produire si du liquide se trouve sur le panneau de commande. Séchez à fond le panneau de commande après le nettoyage.

Événements qui sont normaux avec votre four à micro-ondes

- Vapeur d'eau ou autres émanations qui s'échappent autour de la porte.
- Réflexion de lumière autour de la porte ou de la carrosserie extérieure.
- Atténuation de la lampe du four et changement du son du ventilateur à des niveaux de puissance autres que le plus élevé (10).
- Son sourd pendant le fonctionnement du four.

Déclaration de la FCC

COMMISSION DES COMMUNICATIONS FÉDÉRALE (É.-U.) DÉCLARATION SUR LE BROUILLAGE RADIOÉLECTRIQUE

Cet équipement génère et utilise des fréquences radio ISM qui, en cas d'installation erronée ou d'utilisation non-conforme aux instructions du fabricant, peuvent causer un brouillage nuisible à la réception des ondes radio et télévisuelles. Il a été soumis à un essai de type et jugé conforme aux limites énoncées dans la partie 18 des règlements de la FCC relative à l'équipement ISM, laquelle est destinée à procurer une protection raisonnable contre un tel brouillage dans une installation domestique. Il n'y a cependant aucune garantie qu'un brouillage nuisible ne surviendra pas dans une installation donnée. Si cet équipement cause un brouillage de la réception des ondes radio ou télévisuelles, ce qu'il est possible de déterminer en éteignant et rallumant l'équipement, il est conseillé à l'utilisateur d'essayer de

corriger ce brouillage en prenant l'une ou plusieurs des mesures suivantes :

- Réorienter l'antenne de radio ou de télévision.
- Changer la position du four à micro-ondes par rapport au récepteur.
- Déplacer le four à micro-ondes à l'écart du récepteur.
- Brancher le four à micro-ondes dans une autre prise électrique de façon qu'il se trouve sur un circuit de dérivation différent de celui du récepteur.

Le fabricant n'est pas responsable de tout brouillage des ondes radio ou télévisuelles résultant de la modification non autorisée du four à micro-ondes. L'utilisateur a la responsabilité de corriger un tel brouillage.

Garantie limitée du four à micro-ondes

Brochez votre reçu ici. Pour obtenir le service sous garantie, vous devrez fournir la preuve de l'achat original.

Durant une période de	GE Appliances remplacera
Un an À partir de la date d'achat initial	Toute pièce du four défectueuse en raison d'un vice de matière ou de main-d'œuvre. L'unité d'échange est garantie pour le reste de la période de garantie initiale d'un an de votre produit.

In Order to Make a Warranty Claim:

Call GE Appliances at 800 GE CARES (800 432-2737). Have the model number and serial number available.

Ce que les appareils GE Appliances ne couvrent pas :

- Instructions destinées au client. Ce manuel du propriétaire fournit des informations sur les instructions d'utilisation et les commandes utilisateur. Le manuel du propriétaire est disponible en ligne sur **GEAppliances.com**.
- Une installation, une livraison ou un entretien inadéquats.
- La défaillance ou l'endommagement du produit en raison d'un usage abusif ou incorrect (par exemple, arc électrique causé par un support métallique ou un autre article en métal ou aluminium), ou un usage commercial ou différent de celui pour lequel il est destiné.
- Le remplacement des fusibles du domicile ou le réarmement des disjoncteurs.
- Tout dommage occasionné par un accident, un incendie, une inondation ou une autre catastrophe naturelle
- Les dommages accessoires ou indirects causés par d'éventuelles déficiences de cet électroménager.
- Les dommages survenus après la livraison.

EXCLUSION DES GARANTIES IMPLICITES

Votre seul et unique recours consiste dans la réparation du produit tel que stipulé dans la présente garantie limitée. Toute garantie implicite, y compris les garanties implicites relatives à la qualité marchande ou à l'adéquation à un usage particulier, se limitera à une période de un (1) an ou à la période la plus courte prescrite par la loi.

Cette garantie limitée est offerte à l'acheteur initial et à tout propriétaire subséquent d'un produit acheté à des fins d'usage domestique aux États-Unis.

Certains États n'autorisent pas l'exclusion ou la limitation des dommages accessoires ou indirects. Cette garantie limitée vous confère des droits légaux spécifiques, et vous pouvez également bénéficier d'autres droits qui varient d'un État à l'autre. Pour connaître vos droits légaux, consultez votre bureau local ou d'État des affaires de consommation ou le procureur général de votre État.

Exclusion des garanties implicites : Sauf lorsque la loi l'interdit ou le restreint, il n'existe aucune garantie, expresse, orale ou statutaire, qui s'étende au-delà de la description figurant au recto des présentes, y compris notamment les garanties implicites de qualité marchande ou d'adéquation à un usage particulier.

Garant : GE Appliances, une compagnie Haier
Louisville KY,40225

Soutien au consommateur

Site Web de GE Appliances

Vous avez une question ou vous avez besoin d'aide pour votre appareil électroménager? Visitez le site Web de GE Appliances 24 heures par jour, tous les jours de l'année! Vous pouvez aussi y trouver d'autres formidables produits GE Appliances et tirer avantage de tous nos services d'assistance en ligne. **GEAppliances.com**

Enregistrez votre électroménager

Enregistrez votre nouvel électroménager en ligne au moment qui vous convient le mieux! L'enregistrement de votre produit dans les plus brefs délais permet une meilleure communication et un service rapide en vertu de votre garantie, le cas échéant. Vous pouvez également envoyer par courrier la carte d'enregistrement pré-imprimée qui se trouve dans l'emballage de votre appareil. **GEAppliances.com/register**

Programmation d'une visite de service

Un service de réparation expert GE Appliances se trouve à quelques pas de chez vous. Rendez-vous sur notre site et programmez, à votre convenance, une visite de service à n'importe quel jour de l'année. **GEAppliances.com/service** ou composez le 800.GE.CARES (800.432.2737 pendant les heures normales de bureau.

Pièces et accessoires

Les personnes ayant les compétences requises pour réparer elles-mêmes leurs appareils peuvent recevoir directement à la maison des pièces ou accessoires (les cartes VISA, MasterCard et Discover sont acceptées). Commandez en ligne 24 heures par jour en tout temps. **GEAppliances.com/parts** ou composez le 800.432.2737 pendant les heures normales de bureau.

Les instructions contenues dans le présent manuel comportent des procédures que tout utilisateur peut effectuer. Les autres types de réparation doivent généralement être confiés à un technicien qualifié. Utilisez de prudence : une réparation ou un entretien mal effectués peuvent rendre l'utilisation de l'appareil dangereuse.

Communiquez avec nous

Si vous n'êtes pas satisfait du service reçu de GE Appliances, contactez-nous via notre site Web avec tous les détails, y compris votre numéro de téléphone, ou encore écrivez à :

General Manager, Customer Relations | GE Appliances, Appliance Park | Louisville, KY 40225

GEAppliances.com/contact



HORNO MICROONDAS

MANUAL DEL PROPIETARIO

JEB1095

INFORMACIÓN DE SEGURIDAD 3

USO DE LA HORNO

Funciones 6

Controles7

Nivel de potencia 8

Funciones de tiempo y automático..... 9

Otras funciones 15

Términos del Microondas16

CUIDADO Y LIMPIEZA17

CONSEJOS PARA LA SOLUCIÓN 18

Cosas que son Normales..... 18

SOPORTE PARA EL CONSUMIDOR

Garantía Limitada.....19

Soporte para el consumidor..... 20

Anote aquí los números de modelo y de serie:

Modelo número _____

Número de serie _____

Los encontrará en una etiqueta dentro del horno.

GRACIAS POR HACER QUE GE APPLIANCES SEA PARTE DE SU HOGAR.

Ya sea que haya crecido usando GE Appliances, o que ésta es su primera vez, nos complace tenerlo en la familia.

Sentimos orgullo por el nivel de arte, innovación y diseño de cada uno de los electrodomésticos de GE Appliances, y creemos que usted también. Entre otras cosas, el registro de su electrodoméstico asegura que podamos entregarle información importante del producto y detalles de la garantía cuando los necesite.

Registre su electrodoméstico GE ahora a través de Internet. Sitios Web y números telefónicos útiles están disponibles en la sección de Soporte para el Consumidor de este Manual del Propietario.

También puede enviar una carta en la tarjeta de inscripción preimpresa que se incluye con el material embalado.



GE APPLIANCES

INFORMACIÓN IMPORTANTE DE SEGURIDAD

LEA TODAS LAS INSTRUCCIONES ANTES DE USAR

⚠️ ADVERTENCIA

Para reducir el riesgo de quemaduras, descargas eléctricas, incendio, lesiones o exposición a energía de microondas excesiva:

Cuando utilice aparatos eléctricos, se deben seguir las precauciones de seguridad básicas, entre las que se incluyen las siguientes:

- Lea todas las instrucciones antes de utilizar este aparato.
- Lea y siga las específicas en la sección "PRECAUCIONES PARA EVITAR LA POSIBLE EXPOSICIÓN A ENERGÍA DE MICROONDAS EXCESIVA" de la página 5.
- Utilice este aparato solamente para el fin previsto, como se describe en este manual. No utilice químicos ni vapores corrosivos en este aparato. Este horno está específicamente diseñado para calentar, secar o cocinar alimentos y bebidas y no está diseñado para usarse en un laboratorio ni para uso industrial.
- Este electrodoméstico sólo debería ser reparado por personal técnico con calificación. En caso de necesitar una evaluación, reparación o ajuste, comuníquese con el servicio autorizado más cercano.

INSTALACIÓN

- Instale o ubique este aparato únicamente de acuerdo a las instrucciones de instalación suministradas.
- Este aparato debe contar con una conexión a tierra. Conecte sólo a un tomacorriente con adecuada conexión a tierra. Ver la sección "INSTRUCCIONES DE CONEXIÓN A TIERRA" de la página 5.
- Asegúrese de colocar la superficie frontal de la puerta a 3 pulgadas o más atrás del extremo superior de la mesada, a fin de evitar caídas accidentales del electrodoméstico durante su uso normal.
- Espacios recomendados: 3 pulgadas a cada lado, 3 pulgadas sobre la parte superior y 1 pulgada en la parte trasera.
- No utilice este aparato si tiene el cable eléctrico o el enchufe dañados, si no funciona bien o si ha sufrido una avería o una caída.
- Mantenga el cable alejado de superficies calientes.
- No permita que el cable eléctrico cuelgue sobre el borde de la mesa o del mostrador de encimera.
- No sumerja el cable eléctrico o el enchufe en agua.
- No cubra ni bloquee ninguna apertura de este aparato.

- No almacene este aparato al aire libre. No utilice este producto cerca del agua; por ejemplo, en un sótano húmedo, cerca de una piscina, cerca de un lavabo o lugares similares.
- No monte este aparato sobre el fregadero.

PARA REDUCIR EL RIESGO DE INCENDIO DENTRO DEL HORNO:

- No cocine excesivamente los alimentos. Vigile cuidadosamente el aparato cuando se coloque papel, plástico u otros materiales combustibles dentro del microondas para facilitar la cocción.
- Quite las tiritas de seguridad (twist-ties) y asas metálicas de los recipientes de papel o plástico antes de colocarlos dentro del microondas.
- Si los materiales que se encuentran dentro del horno prenden fuego, mantenga cerrada la puerta del horno, apáguelo y desconecte el cable eléctrico, o corte la energía desde el panel de fusibles o del interruptor de circuitos.
- No guarde ningún material, a excepción de nuestros accesorios recomendados, en este horno cuando no esté en uso. No deje productos de papel, utensilios de cocina ni comida en el horno cuando no esté en uso.
- No opere el horno sin alimentos adentro.

A FIN DE REDUCIR RIESGOS DE QUEMADURAS:

- Tenga cuidado al abrir envases con comida caliente. Use manijas y aleje el vapor del rostro y las manos.
- Ventile, perforo, o corte envases, bolsas, o bolsas plásticas para evitar la acumulación de presión.
- Tenga cuidado al tocar el plato giratorio, la puerta, o paredes del horno, los cuales se podrán calentar durante el uso.
- **LOS CONTENIDOS CALIENTES PUEDEN OCASIONAR QUEMADURAS GRAVES. NO PERMITA QUE LOS NIÑOS USEN EL MICROONDAS.** Tenga cuidado al retirar ítems calientes.

LEA TODAS LAS INSTRUCCIONES ANTES DE USAR

▲ ADVERTENCIA

USO

- No use el horno sin el plato giratorio en su posición. El plato giratorio no deberá tener restricciones, de modo que pueda girar.
 - Asegúrese de que todos los utensilios usados en el horno microondas sean para uso en el mismo. Se pueden usar la mayoría de las cazuelas de vidrio, platos de cocción, tazas graduadas, tazas para postre, vajillas de cerámica o cubiertos de porcelana que no poseen bordes metálicos o vidriados con un brillo metálico, siguiendo las recomendaciones del fabricante.
 - No almacene ningún elemento directamente sobre la superficie del horno de microondas cuando éste se encuentre en funcionamiento.
 - Algunos productos tales como huevos enteros y contenedores sellados (por ejemplo, frascos sellados) son propensos a explotar y no deben calentarse en este horno. Tal uso del horno puede resultar en lesiones personales.
 - No cocine demasiado las patatas. El deshidratado y incendiarse.
 - No cubra las otra parte del horno con papel metálico. Esto ocasionará un sobrecalentamiento del horno microondas/ por convección.
 - Cocine a fondo la carne de res o ave la carne de res a por los menos una temperatura INTERNA de 160° F y carne de ave a por lo menos una temperatura INTERNA de 180° F. Cocinar a estas temperaturas generalmente protege contra enfermedades causadas por los alimentos.
 - Este horno no fue aprobado ni evaluado para uso en la marina.
- de sobrecalentarse más allá del punto de ebullición sin parecer que estén hirviendo. No siempre hay burbujeo o hervor visible cuando se saca el recipiente del horno microondas. **ESTO PUEDE RESULTAR EN LA EBULLICIÓN REPENTINA DE LÍQUIDOS MUY CALIENTES CUANDO SE MUEVE EL RECIPIENTE O SE INSERTA UNA CUCHARA U OTRO UTENSILIO DENTRO DEL LÍQUIDO.**
- Para reducir el riesgo de lesión física:
 - No sobrecaliente el líquido.
 - Revuelva el líquido antes y a la mitad del tiempo de calentamiento.
 - No utilice recipientes con costados rectos y cuellos angostos.
 - Después de calentar el recipiente, déjelo en el horno microondas por un período corto de tiempo antes de sacarlo.
 - Tenga extrema precaución cuando introduzca una cuchara u otro utensilio en el recipiente.

LIMPIEZA

- Mantenga el horno libre de acumulación de grasa.
- No limpie con almohadillas metálicas para fregar. Las piezas podrán quemar la almohadilla y tener contacto con partes eléctricas, involucrando riesgos de descargas eléctricas.
- Al limpiar superficies de puerta y horno que se unen al cerrar la puerta, use sólo jabones o detergentes suaves y no abrasivos, aplicando los mismos con una esponja limpia o tela suave.

AGUA SOBRECALENTADA

- Líquidos, tales como agua, café o té, son capaces

LEA Y GUARDE ESTAS INSTRUCCIONES

LEA TODAS LAS INSTRUCCIONES ANTES DE USAR

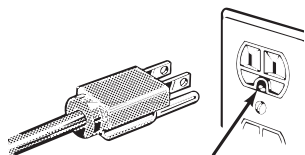
PRECAUCIONES PARA EVITAR LA POSIBLE EXPOSICIÓN A ENERGÍA DE MICROONDAS EXCESIVA

- (a) **No intente hacer** funcionar el horno con la compuerta abierta ya que ésto puede provocar exposición peligrosa a la energía de microondas. Es importante no forzar ni dañar los seguros.
- (b) **No coloque** ningún objeto entre la parte frontal del horno y la compuerta, ni permita que se acumulen residuos de producto limpiador o detergente, suciedad o polvo en las superficies de sellado.
- (c) **No haga funcionar** el horno si se encuentra dañado. Es particularmente importante cerrar bien la compuerta
- (1) la compuerta (doblada o curvada),
 - (2) las bisagras y pestillos (rotos o flojos),
 - (3) sellos de la compuerta y superficies de sellado.
- (d) **El horno no debe** ser ajustado o reparado por ninguna persona, excepto por personal de mantenimiento calificado.

INSTRUCCIONES DE CONEXIÓN A TIERRA

⚠ ADVERTENCIA

El uso inadecuado del enchufe de conexión a tierra puede provocar riesgos de descargas eléctricas.



Asegúrese de contar con una conexión a tierra adecuada antes de usar.

Este electrodoméstico debe estar conectado a tierra. Si se produjera un cortocircuito, la toma de tierra reduce el riesgo de descarga eléctrica al proveer un cable de escape para la corriente eléctrica.

Este electrodoméstico está equipado con un cable de corriente que dispone de un hilo para toma de tierra con un enchufe con toma de tierra. El enchufe debe estar conectado a una toma de corriente que esté debidamente instalada y con salida a tierra.

Consulte con un electricista calificado o un técnico de reparaciones si no entiende completamente las instrucciones sobre la toma de tierra, o si tuviese

alguna duda sobre si su aparato está debidamente conectado a tierra.

Si la toma de corriente es un modelo estándar de dos clavijas, es su responsabilidad personal y su obligación el reemplazarla por una toma adecuada para tres clavijas con conexión a tierra.

Bajo ninguna circunstancia debe cortar o quitar la tercera clavija (tierra) del cable de corriente.

No use prolongadores con este electrodoméstico. Si el cable de corriente es demasiado corto, solicite a un electricista o a personal del servicio técnico calificado que instale un tomacorriente cerca del electrodoméstico.

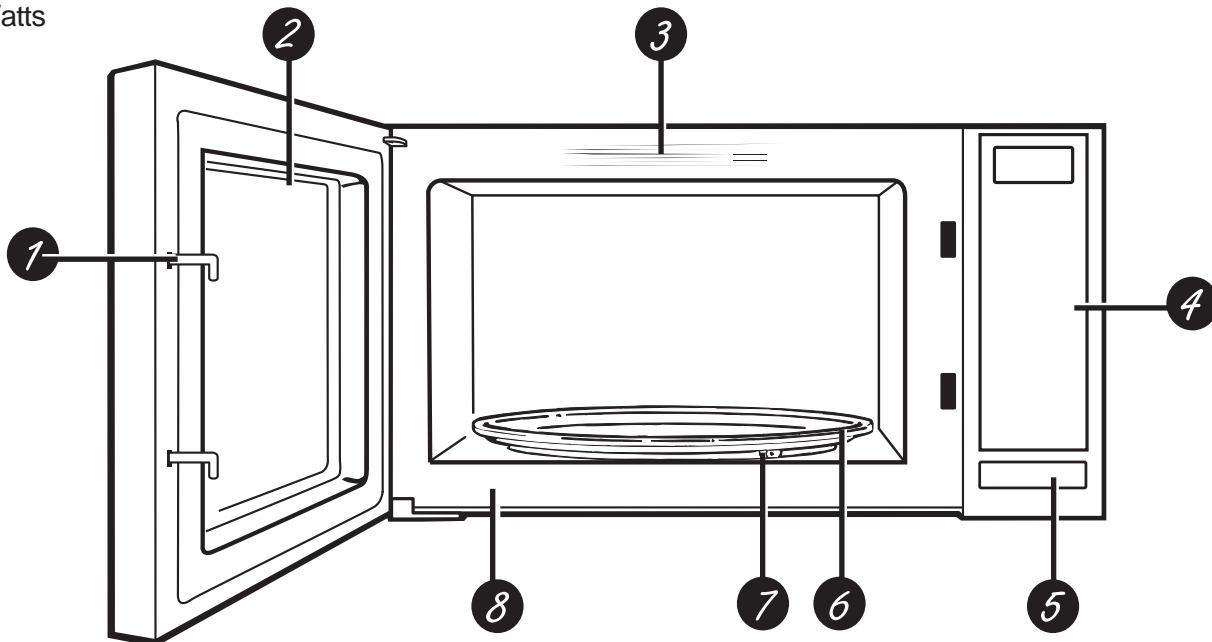
MARCAPASOS

La mayoría de los marcapasos poseen protección contra interferencias de productos eléctricos, incluyendo microondas. Sin embargo, es aconsejable que los pacientes con marcapasos consulten a sus médicos ante cualquier duda.

Funciones

Es posible que las funciones y apariencias varíen con relación a su modelo a lo largo del manual.

900 Watts



- 1 Pestillos de la Puerta.**
- 2 Ventana con Protector Metálico.** La pantalla permite que la cocción pueda ser observada mientras se mantienen las microondas dentro del horno.
- 3 Guía de Acciones Convenientes.**
- 4 Panel de Control Táctil.**
- 5 Liberar Pestillos.** Presione liberar pestillos para abrir la puerta.
- 6 Plato Giratorio Extraíble.** El plato giratorio y el soporte deben estar en la ubicación correcta al usar el horno. El plato giratorio se podrá retirar para la limpieza.
- 7 Soporte Extraíble del Plato Giratorio.** El plato giratorio debe estar en la ubicación correcta al usar el horno. El soporte del plato giratorio podrá ser retirado para su limpieza.
- 8 Etiqueta de Calificación.** La etiqueta de calificación está ubicada en el frente del horno microondas.

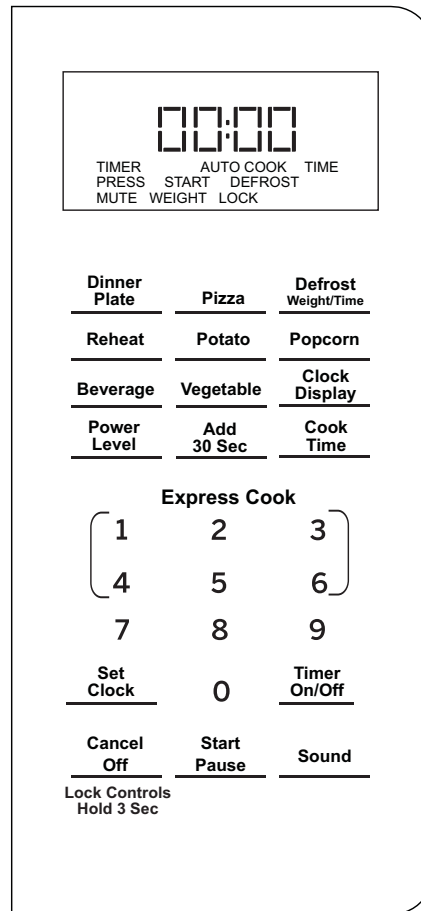
Accesorios Opcionales

El Kit de Instalación para Empotrar se adquiere por separado. Requerido para los modelos JEB1095 de GE Appliances, y no disponible para los modelos JES1095 de GE Appliances.

Modelo	Kit	Color
JEB1095	JX1095S4TBB	Negro
	JX1095S4TSS	Acero Inoxidable
JES1095BMTS	N/A	
JES1095DMBB	N/A	
JES1095DMWW	N/A	
JES1095DMSS	N/A	

Controles

Puede usar el horno microondas por tiempo o con funciones convenientes.



Las funciones de los botones de control son explicadas en las siguientes páginas.

Acerca de las funciones

Nivel de potencia

El nivel de potencia se podrá ingresar o modificar de forma inmediata luego de ingresar el tiempo para **Cook Time (Tiempo de Cocción)** o **Express Cook (Cocción Express)**. El nivel de potencia también se puede modificar durante la cocción.

1. Presione **Cook Time (Tiempo de Cocción)** e ingrese el tiempo de cocción.
2. Presione **Power Level (Nivel de Potencia)** y seleccione el nivel de potencia de 1 a 10.
3. Presione el botón **Start/Pause** para empezar a cocinar.

Los niveles de potencia variables suman flexibilidad a la cocción en el microondas. Los niveles de potencia del horno microondas se pueden comparar con las unidades de superficie de una cocina. Cada nivel de potencia le brinda energía de microondas un cierto porcentaje del tiempo. El **Nivel de Potencia 7** es energía de microondas el 70% del tiempo. El **Nivel de Potencia 3** es energía el 30% del tiempo. La mayoría de las cocciones se harán en **Nivel de potencia 10**, lo cual le brinda el 100% de potencia.

Power level 10 (Nivel de potencia 10) hará la cocción más rápido pero será necesario revolver, rotar o dar vuelta la comida con mayor frecuencia. Una configuración inferior hará la cocción más pareja y se necesitará revolver y rotar menos la comida.

Algunas comidas podrán tener mejor sabor, textura o aspecto si se usa una de las configuraciones inferiores. Use un nivel de potencia inferior al cocinar comidas con tendencia a hervir, tales como papas en escalope.

Los períodos de descanso (cuando los ciclos de energía de microondas finalizan) brindan tiempo para que la comida “equipare” o transfiera calor al interior de la comida. Un ejemplo de esto se muestra con el nivel de potencia 3 - el ciclo de descongelamiento. Si la energía del microondas no finalizó el ciclo, la parte externa de la comida se cocinará antes de que el interior esté descongelado.

Estos son algunos ejemplos de aplicaciones para diferentes niveles de potencia:

Nivel de potencia 10: Pescado, bacon, verduras, calentar líquidos.

Media alta 7: Cocción suave de carne y aves, sirve para cocinar guisos y para recalentar.

Media 5: Cocina lenta y tierna para estofados o guisos y para partes menos tiernas de carne.

Baja 2 o 3: Para descongelar, cocer a “fuego” lento, para salsas delicadas.

Algo caliente 1: Mantener la comida caliente, ablandar la mantequilla.

Acerca de las funciones

Cook Time (Cocción con Temporizador)

Le permite cocinar en el horno microondas por cualquier tiempo hasta 99 minutos y 99 segundos.

1. Presione **Cook Time (Cocción con Temporizador)**.
2. Ingrese el primer tiempo de cocción.
3. El nivel de potencia está configurado de forma automática en 10, pero si desea reducir el nivel, presione Power Level (Nivel de Potencia) y luego seleccione un nivel de 1 a 9.
4. Presione **Start/ Pause (Iniciar/ Pausar)**.

Puede abrir la puerta durante **Cook Time (Cocción con Temporizador)** para controlar la comida. Cierre la puerta y presione **Start/ Pause (Iniciar/ Pausar)** para reanudar la cocción.

Cocción en Múltiples Etapas

Como máximo 2 etapas pueden ser configuradas para la cocción. En la cocción en etapas múltiples, si una etapa está descongelando, entonces dicha función será colocada en la primera etapa de forma automática.

Nota: La cocción automática no puede trabajar en la cocción en etapas múltiples.

Por ejemplo: si desea cocinar con un 80% de potencia de microondas durante 5 minutos + un 60% de potencia de microondas durante 10 minutos. Los pasos para la cocción son los siguientes:

1. Presione **Time Cook (Cocción con Temporizador)**, luego presione "5", "0", "0" para configurar el tiempo de cocción;
2. Presione **Power (Potencia)** una vez, y luego presione "8" para seleccionar un 80% de potencia de microondas.
3. Presione **Time Cook (Cocción con Temporizador)** una vez, y luego presione "1", "0", "0", "0" para configurar el tiempo de cocción;
4. Presione **Power (Potencia)** una vez, y luego presione "6" para seleccionar un 60% de potencia de microondas.
5. Presione **Start/+30 Sec (Iniciar/+30 Seg)**.

Acerca de las funciones

Descongelación por Tiempo

Time Defrost (Descongelación por Tiempo) le permite descongelar durante un período de tiempo seleccionado. Consulte los tiempos sugeridos en la Guía de Descongelación.

1. Presione **Descongelar (Defrost)** dos veces (la pantalla deberá mostrar Time Defrost (Descongelación por Tiempo))
2. Ingrese el tiempo de descongelación.
3. Presione **Start/ Pause (Iniciar/ Pausar)**.

Cuando el horno dé la señal, dé vuelta la comida y separe o reordene los trozos para una descongelación más pareja. Cubra cualquier área caliente con trozos pequeños de papel de aluminio. El horno continuará descongelando si no abre la puerta y da vuelta la comida.

El nivel de potencia se configura de forma automática en 3, pero se puede cambiar. Puede descongelar productos pequeños de forma rápida, incrementando el nivel de potencia luego de ingresar el tiempo. Power level 7 (Nivel de potencia 7) reduce el tiempo de descongelación total aproximadamente a la mitad; power level 10 (nivel de potencia 10) reduce el tiempo total a aproximadamente 1/3. Sin embargo, será necesario prestar mayor atención a la comida que lo usual.

Es posible que se escuchen ruidos de golpes secos durante la descongelación. Esto es normal cuando el horno no está funcionando en el nivel de potencia High (Alto).

Consejos para la Descongelación

- Las comidas congeladas en papel o plástico se podrán descongelar en el paquete. Los paquetes cerrados se deberán cortar, perforar o ventilar LUEGO de que la comida se haya descongelado parcialmente. Los envases de plástico se deberán descubrir en forma parcial.
- Las comidas de tamaño familiar preempaquetadas se podrán descongelar y cocinar en el horno microondas. Si la comida se encuentra en el envase de papel de aluminio, traslade la misma a un plato para uso seguro en el horno microondas.
- Para una descongelación más pareja de comidas más grandes, tales como asado, use Weight Defrost (Descongelación por Peso). Asegúrese de que las carnes queden totalmente descongeladas antes de cocinar.
- Las comidas que se echan a perder con facilidad no se deberán dejar reposar por más de una hora luego de la descongelación. La temperatura ambiente estimula el desarrollo de bacterias nocivas.
- Una vez descongelada, la comida debería estar fría pero ablandada en todas las áreas. Si aún está un poco congelada, vuelva a colocarla en el horno microondas muy brevemente, o deje reposar la misma por unos pocos minutos.

Descongelación por Peso

La función de descongelación por peso configura automáticamente los tiempos de descongelación y los niveles de potencia para producir resultados parejos de descongelación con carnes, aves y pescados que pesen hasta seis libras.

1. Presione **Descongelar (Defrost)** (la pantalla deberá mostrar Weight Defrost (Descongelación por Peso))
2. Usando la guía de conversión, ingrese el peso de la comida. Por ejemplo: presione las teclas 1 y 2 para 1.2 libras (1 libra, 2 onzas).
3. Presione **Start/ Pause (Iniciar/ Pausar)**.

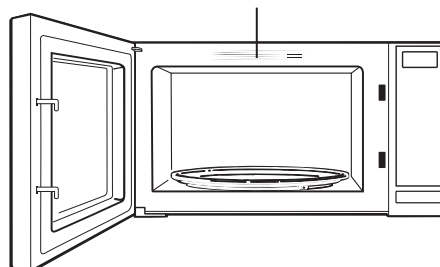
Hay una guía de cocción ubicada en el frente interior del horno.

- Retire la carne del paquete y coloque la misma en el plato de cocción segura en el microondas.
- Cuando el horno dé la señal, dé vuelta la comida. Retire la carne descongelada o cubra las partes calientes con trozos pequeños de papel de aluminio.
- Luego de descongelar, la mayoría de las carnes necesitan reposar durante 5 minutos para completar la descongelación. Al asar durante tiempo prolongado se debería dejar reposar por unos 30 minutos.

Guía de Conversión

Si el peso de la comida se expresa en libras y onzas, las onzas se deberán convertir a décimas (.1) de una libra.	
Onzas	Libras
1-2	.1
3	.2
4-5	.3
6-7	.4
8	.5
9-10	.6
11	.7
12-13	.8
14-15	.9

Guía de Cocción



Acerca de las funciones

Guía de Descongelación

Comida	Tiempo	Comentarios
Panes, Tortas Panecillos, buñuelos o panecillos (1 trozo) Pastelitos (12 oz. aprox.)	1/4 de min. 2 a 4 min.	Reordene luego de la mitad del tiempo.
Pescado y Mariscos Lomos, congelados (1 lb.) Mariscos, trozos pequeños (1 lb.)	6 a 9 min. 3 a 7 min.	Coloque el bloque en la cacerola. Dé vuelta y separe luego de la primera mitad de tiempo.
Fruta Bolsa de plástico—1 o 2 (paquete de 10-oz.)	1 a 5 min.	
Carne Tocino (1 lb.) Salchichas Tipo Frankfurt (1 lb.) Carne picada (1 lb.) Asar: bife, cordero, ternera, cerdo Bistecs, chuletas de cerdo y cordero	2 a 5 min. 2 a 5 min. 4 a 6 min. 9 a 12 min. por lb. 4 a 8 min. por lb.	Coloque el paquete cerrado en el horno. Deje reposar por 5 minutos luego de la descongelación. Coloque el paquete cerrado en el horno. Cocine en el horno microondas hasta que las salchichas tipo Frankfurt se puedan separar. Deje reposar por 5 minutos, de ser necesario, para completar la descongelación. Dé vuelta luego de la primera mitad de tiempo. Use el nivel de potencia Warm (Caliente) (1). Coloque la carne aún envuelta en el plato de cocción. Dé vuelta luego de la primera mitad de tiempo y cubra las áreas calientes con papel de aluminio. Luego de la segunda mitad del tiempo, separe los trozos con un cuchillo de mesa. Espere hasta que se complete la descongelación.
Ave Pollo, hervir-freír - cortaar (2½ a 3 lbs.) Pollo, entero (2¼ a 3 lbs.) Gallina de cornualles Pechuga de pavo (4 a 6 libras)	14 a 19 min. 20 a 24 min. 7 a 12 min. por lb. 3 a 8 min. por lb.	Coloque el pollo envuelto en el plato. Desenvuelva y dé vuelta luego de la primera mitad de tiempo. Luego de la segunda mitad de tiempo, separe los trozos y coloque los mismos en un plato de cocción. Cocine en el horno microondas entre 2 y 4 minutos más, si es necesario. Deje reposar por unos pocos minutos para finalizar la descongelación. Coloque el pollo envuelto en el plato. Luego de la primera mitad de tiempo, desenvuelva y dé vuelta el pollo. Cobre las partes calientes con papel de aluminio. Para completar la descongelación, deje correr agua fría en la cavidad hasta que se puedan retirar los menudos. Coloque la gallina sin desenvolver en el horno con la pechuga hacia arriba. Dé vuelta luego de la primera mitad de tiempo. Deje correr agua por la cavidad hasta que se puedan quitar los menudos. Coloque la pechuga sin desenvolver en el plato para uso seguro en horno microondas con la pechuga hacia abajo. Luego de la primera mitad de tiempo, dé vuelta la pechuga hacia arriba y cubra las partes calientes con papel de aluminio. Descongele durante la segunda mitad del tiempo. Deje reposar entre 1 y 2 horas en el refrigerador para completar la descongelación.

Acerca de las funciones

Cocción Express

Ésta es una forma rápida de configurar el tiempo de cocción entre 1 y 6 minutos.

Presione una de las teclas de **Express Cook (Cocción Express)** (de 1 a 6) para una cocción entre 1 y 6 minutos en **power level 10 (nivel de potencia 10)**. Por ejemplo: presione la tecla 2 para un tiempo de cocción de 2 minutos.

El nivel de potencia se puede modificar mientras se está realizando la cuenta regresiva. Presione **Power Level (Nivel de Potencia)** e ingrese una opción del 1 al 10.

NOTA: La función Express Cook (Cocción Express) se aplica sólo con las teclas 1 a 6.

Agregar 30 segundos

Agregará 30 segundos a la cuenta regresiva cada vez que la tecla se presione. Cada vez que presione se sumarán 30 segundos, hasta 99 minutos y 99 segundos.

El horno comenzará a funcionar de inmediato cuando se presione.

Acerca de las funciones

Plato para la Cena

1. Presione **Dinner Plate (Plato para la Cena)** para seleccionar 1 o 2 tazas (8 a 10 onzas cada una).
2. Presione **Start (Iniciar)**.

Menú	Presione la tecla esta cantidad de veces	Tamaño del Plato para la Cena
Plato para la Cena	1	1 Taza
Plato para la Cena	2	2 Tazas

Pizza

1. Presione **Pizza** para seleccionar 1 o 2 porciones (3 onzas cada porción).
2. Presione **Start (Iniciar)**.

Menú	Presione la tecla esta cantidad de veces	Tamaño de la Pizza
Pizza	1	1 porción
Pizza	2	2 porciones

Recalentar

La función **Reheat (Recalentar)** vuelve a calentar 1 o 2 tazas de comida cocinada previamente o un plato con restos de comida.

1. Presione **Reheat (Recalentar)** para seleccionar 1 o 2 tazas (8 a 10 onzas cada una).
2. Presione **Start (Iniciar)**.

Menú	Presione la tecla esta cantidad de veces	Tamaño de la Recalentar
Recalentar	1	1 Taza
Recalentar	2	2 Tazas

Luego de retirar la comida del horno, revuelva, si es posible, para emparejar la temperatura. Si la comida no está lo suficientemente caliente, no use el botón **Reheat (Recalentar)** nuevamente. Use **Cook Time (Tiempo de Cocción)** para recalentar.

Papa

1. Presione **Potato (Papa)** para seleccionar 1,2 o 3 papas.
2. Presione **Start (Iniciar)**.

Si las papas aún no están cocinadas de forma satisfactoria, no use el botón **Potato (Papa)** nuevamente. Use **Cook Time (Tiempo de Cocción)**.

Menú	Presione la tecla esta cantidad de veces	Tamaño de la Papa
Papa	1	1 Papa
Papa	2	2 Papas
Papa	3	3 Papas

Acerca de las funciones

Palomitas de Maíz

1. Si desea cocinar un paquete inferior a 1.75 onzas, o más de 3.5 onzas, entonces use Cook Time (Tiempo de Cocción) y siga las instrucciones que figuran en el paquete.
2. Presione **Popcorn** (Palomitas de Maíz) para seleccionar onzas y luego presione Start/Pause (Iniciar/ Pausar).

Si las palomitas de maíz no están cocinadas de forma satisfactoria, use el botón Cook Time (Tiempo de Cocción) para cocinar por más tiempo.

Menú	Presione la tecla esta cantidad de veces	Tamaño de la Palomitas de Maíz
Palomitas de Maíz	1	1.75 Oz
Palomitas de Maíz	2	3.0 Oz
Palomitas de Maíz	3	3.5 Oz

Bebida

Presione Beverage (Bebida) para seleccionar 1 o 2 tazas (8 a 10 onzas cada una).

Las bebidas calentadas con la función Beverage (Bebida) podrán estar muy calientes. Retire el recipiente con cuidado.

Si la bebida no está lo suficientemente caliente, no vuelva a usar el botón Beverage (Bebida) para continuar calentando la misma. Use el botón Cook Time (Tiempo de Cocción) para continuar calentando.

Menú	Presione la tecla esta cantidad de veces	Tamaño de la Bebida
Bebida	1	1 Taza
Bebida	2	2 Tazas

Verdura

Use la función **Vegetable (Verdura)** para cocinar entre 4 y 16 onzas de verduras frescas.

1. Presione **Vegetable (Verdura)** para seleccionar 1, 2, 3 o 4 tazas (4 onzas cada una).
2. Presione **Start (Iniciar)**.

Si las verduras aún no están cocinadas de forma satisfactoria, no use el botón Vegetable (Verdura) nuevamente. Use Cook Time (Tiempo de Cocción).

Menú	Presione la tecla esta cantidad de veces	Tamaño de la Verdura Congelada
Verdura Congelada	1	1 Taza
Verdura Congelada	2	2 Tazas
Verdura Congelada	3	3 Tazas
Verdura Congelada	4	4 Tazas

Otras Funciones

Recordatorio de Inserción de Comida

Un recordatorio le mostrará en la pantalla si el usuario intenta iniciar el ciclo de cocción sin colocar la comida dentro del horno microondas dentro de los 5 minutos antes de que se haya iniciado el ciclo de cocción.

Recordatorio de Cocción Completa

Para recordarle que colocó comida en el horno, este último mostrará "END" (Fin) y emitirá un pitido una vez

por minuto hasta que abra la puerta del horno o presione el botón Cancel/ Off (Cancelar/ Apagar).

Controles de Bloqueo

Puede bloquear el panel de control para evitar que el microondas se inicie de forma accidental o sea usado por niños.

Para bloquear o desbloquear los controles, mantenga presionado Cancel/ Off (Cancelar/ Apagar) durante unos tres segundos. Cuando el panel de control esté bloqueado, en la pantalla se visualizará "LOC".

Pantalla del Reloj

Para encender o apagar la pantalla del reloj, presione Clock Display (Pantalla del Reloj). La función Display On/

Off (Pantalla Encendida/ Apagada) no puede ser usada mientras una función de cocción esté en uso.

Set Clock (Configurar Reloj)

Presione para ingresar la hora del día o para completar la hora del día mientras cocina con microondas.

1. Presione **Set Clock (Configurar Reloj)**.
2. Ingrese la hora del día.
3. Presione **Start (Iniciar)** o **Set Clock (Configurar Reloj)**.

Start/Pause (Iniciar/ Pausar)

Además de iniciar muchas funciones, Start/ Pause (Iniciar/ Pausar) le permite dejar de cocinar sin abrir la puerta ni

borrar la pantalla. Presione **Start/ Pause (Iniciar/ Pausar)** nuevamente para reiniciar el horno.

Timer On/Off (Temporizador Encendido/ Apagado)

Timer On/ Off (Temporizador Encendido/ Apagado) funciona como un temporizador por minutos y puede ser usado en cualquier momento, incluso cuando el horno está funcionando.

Cuando el tiempo concluya, el temporizador emitirá una señal. Para apagar la señal del temporizador, presione **Timer On/ Off (Temporizador Encendido/ Apagado)**.

La pantalla muestra la cuenta regresiva del Temporizador, incluso cuando el horno está en funcionamiento.

1. Presione **Timer On/ Off (Temporizador Encendido/ Apagado)**.
2. Ingrese la cantidad de tiempo durante el cual desea que se realice la cuenta regresiva.
3. Presione **Timer On/ Off (Temporizador Encendido/ Apagado)** para comenzar.

Sound (Sonido)

Usted puede apagar todos los pitidos, presionando el botón Sound (Sonido) de modo que en la pantalla se

visualice MUTE (Mudo). Presionar el botón Sound (Sonido) nuevamente quitará MUTE (Mudo) de la pantalla y activará todos los pitidos nuevamente.

Términos del Microondas

Término	Definición
Arco eléctrico	<p>El arco eléctrico es lo que, en la terminología de los microondas, describe las chispas en el horno. El arco eléctrico se produce cuando:</p> <ul style="list-style-type: none"> ■ el estante de metal se ha instalado de forma incorrecta y está tocando las paredes del microondas. ■ hay un metal o papel de aluminio tocando el lateral del horno. ■ hay papel de aluminio no está envolviendo bien la comida (hay bordes doblados hacia arriba que actúan como antenas). ■ hay algún metal, como cintas de cierre con metal, pinchos de pollo, o platos con decoración de oro. ■ hay papel toalla reciclado que contiene pequeñas piezas de metal. ■ el soporte del aro del plato giratorio está instalado incorrectamente.
Cubierto	Las cubiertas mantienen la humedad dentro, permitiendo un calentamiento más parejo y reduciendo el tiempo de cocción. Cuando se agujerea el envoltorio de plástico o se cubre con papel de cera se permite la salida del vapor.
Resguardar	En un horno convencional, se tapan o resguardan las pechugas de pollo o las comidas horneadas para que no se doren demasiado. Al usar el microondas, use pequeñas cintas de papel de aluminio para cubrir partes finas, como las puntas de las alas en las aves, que podrían cocinarse antes que las partes mayores.
Tiempo de reposo	Cuando cocina en hornos regulares, las comidas como los asados o pasteles se dejan reposar para que acaben de cocinarse o se asienten. El tiempo de reposo es especialmente importante al cocinar con microondas. Tenga en cuenta que un pastel cocido en horno microondas no se coloca en un estante de enfriamiento.
Abrir respiraderos	Una vez que haya cubierto un plato con film plástico, deberá abrir un orificio desplegando una esquina para que pueda escapar el vapor.

Cuidado y limpieza

Consejos Útiles

Una limpieza completa de forma ocasional con una solución de bicarbonato y agua mantiene el interior fresco.

Desenchufe el cable antes de limpiar cualquier parte del horno.



Cómo Limpiar el Interior

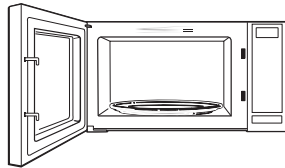
Paredes, Piso, Ventana Interior, Partes Metálicas y Plásticas de la Puerta

Algunas salpicaduras se pueden eliminar con una toalla de papel; otras pueden requerir una tela húmeda. Elimine salpicaduras de grasa con una tela con jabón, y luego enjuague con una tela húmeda. No use limpiadores abrasivos ni utensilios puntiagudos sobre las paredes del horno.

Para limpiar la superficie del horno y la superficie del horno que se une al cerrar, use sólo jabones suaves y no ásperos o detergentes con una esponja o tela suave.

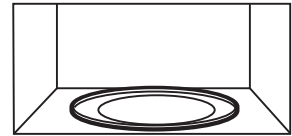
Enjuague con una tela húmeda y seca.

Nunca use un limpiador para hornos comerciales en ninguna parte de su horno microondas.



Plato Giratorio y Soporte Giratorio Extraíbles

Para evitar roturas, no coloque el plato giratorio en agua luego de cocinar. Lave el mismo cuidadosamente con agua tibia y jabón o en el lavavajillas. El plato giratorio y el soporte se pueden romper en caso de caída. Recuerde que no se debe usar el horno si el plato giratorio y el soporte no se encuentran en su lugar.



Cómo Limpiar el Área Exterior

No use limpiadores que contengan amoníacos o alcohol en el horno microondas. El amoníaco o el alcohol pueden dañar el aspecto del horno microondas.

Cubierta Superior

Limpie el área exterior del horno microondas con una tela con jabón. Enjuague con una tela húmeda y luego seque. Limpie la ventana con una tela húmeda.

Panel de Control y Puerta

Limpie con una tela húmeda. Seque totalmente. No use espráis limpiadores, grandes cantidades de agua y jabón, objetos abrasivos o puntiagudos sobre el panel, ya que lo pueden dañar. Algunas toallas de papel también pueden rayar el panel de control.

Superficie de la Puerta

Es importante mantener el área limpia donde la puerta se selle contra el horno microondas. Use sólo detergentes suaves y no abrasivos con una esponja limpia o tela suave. Enjuague bien.

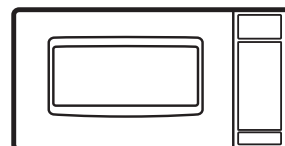
Cable de Corriente

Si el cable se ensucia, desenchufe y lave con una tela húmeda. En caso de manchas difíciles de quitar, se podrá usar agua con jabón, pero asegúrese de enjuagar con una tela húmeda y de secar completamente antes de conectar el cable en el tomacorriente.

Acero Inoxidable (en algunos modelos)

No use virutas de acero; éstas dañarán la superficie.

Para limpiar la superficie de acero inoxidable, use una tela caliente y húmeda con un detergente suave adecuado para superficies de acero inoxidable. Use una tela limpia, caliente y húmeda para eliminar el jabón. Seque con una tela limpia y seca. Siempre friegue la superficie en la dirección del veteado.



Consejos para la solución

PROBLEMA	CAUSA POSIBLE
EL HORNO NO SE ENCIENDE	Es posible que un fusible de su hogar se haya quemado o que el disyuntor se haya desconectado. Reemplace el fusible o reinicie el disyuntor.
	Desenchufe el horno microondas; luego vuelva a enchufarlo.
	Asegúrese de que el cable de 3 patas del horno esté completamente insertado en el tomacorriente.
EL PANEL DE CONTROL ESTÁ ILUMINADO, PERO EL HORNO AÚN NO SE INICIA	La puerta no está cerrada de forma segura.
	La tecla Start/ Pause (Iniciar/ Pausar) no se presionó luego de ingresar la configuración de la cocción.
	Otra selección ya fue ingresada en el horno y el botón Cancel/ Off (Cancelar/ Apagar) no se presionó para cancelar la misma.
	Asegúrese de haber ingresado el tiempo de cocción luego de presionar Cook Time (Tiempo de Cocción) .
	Se presionó Cancel/ Off (Cancelar/ Apagar) de forma accidental. Reinicie el programa de cocción y presione Start/ Pause (Iniciar/ Pausar) .
	Asegúrese de haber ingresado el peso de la comida luego de seleccionar Defrost Weight (Descongelación por Peso) .
"ERR" APARECE EN LA PANTALLA	El horno fue pausado de forma accidental. Presione Start/ Pause (Iniciar/ Pausar) para reiniciar el programa de cocción.
	Al usar un programa de Cocción con Sensor, la puerta fue abierta antes de que se pudiera detectar el vapor. "ERR" se deslizará hasta que se presione Cancel/ Off (Cancelar/ Apagar) .
"LOC" (BLOQUEADO) APARECE EN LA PANTALLA	No se detectó vapor en una cantidad de tiempo máxima. Use Cook Time (Tiempo de Cocción) para calentar durante más tiempo.
	El panel de control fue bloqueado. (Cuando el panel de control está bloqueado, aparece una "LOC"). Mantenga presionada la tecla Cancel/ Off (Cancelar/Apagar) por unos tres segundos para desbloquear el panel de control.
LA CANTIDAD DE COMIDA ES DEMASIADO GRANDE PARA RECALENTAR CON EL SENSOR	Sensor Reheat (Recalentar con Sensor) es para porciones simples de comidas recomendadas. Use Cook Time (Tiempo de Cocción) para grandes cantidades de comida.
EN LA PANTALLA SE VISUALIZA "FOOD" (COMIDA).	El control detectó que la puerta no fue abierta (no fue colocada comida/ bebida dentro).
EN LA PANTALLA SE VISUALIZA "PF"	Se produjo un corte de corriente. Presione Cancel/ Off (Cancelar/ Apagar) para borrar la pantalla.
"F3" APARECE EN LA PANTALLA	Una tecla fue activada durante más de 60 segundos. Presione Cancel/Off (Cancelar/ Apagar) para borrar la pantalla. Esto puede suceder en caso de haber líquido sobre el panel de control. Seque el panel de control completamente luego de su limpieza.

Cosas que son Normales de su Horno Microondas

- Vapor que sale alrededor de la puerta.
- Reflejo de luz alrededor de la puerta o la cubierta exterior.
- Luz del horno tenue y cambio del sonido del pitido en niveles de potencia que no son altos.
- Ruido de golpes secos mientras el horno está en funcionamiento.

COMISIÓN DE COMUNICACIONES FEDERALES (EE.UU.) DECLARACIÓN DE INTERFERENCIA DE RADIO FRECUENCIA

Este equipo genera y usa energía de frecuencia ISM y si no es instalado y usado de forma adecuada, en cumplimiento estricto con las instrucciones del fabricante, se podrán ocasionar interferencias en la recepción de radio y televisión. Se realizó una evaluación por tipo y se encontró en cumplimiento con los límites de un equipo ISM, de acuerdo con la parte 18 de las Reglas FCC, que fueron diseñadas para brindar una protección razonable contra dichas interferencias en una instalación residencial. Sin embargo, no se garantiza que no se presenten interferencias en una instalación en particular. Si el equipo provoca interferencias en la recepción de radio o televisión, lo que se puede determinar encendiendo y apagando el equipo, se aconseja al usuario que intente corregir la interferencia a través de una o más de las siguientes medidas:

- Reoriente la antena receptora de radio o televisión.
- Reubique el horno microondas con respecto al receptor.
- Aleje el horno microondas en relación al receptor
- Enchufe el horno microondas en un tomacorriente diferente, de modo que el horno microondas y el receptor estén en diferentes circuitos de empalmes.

El fabricante no es responsable de cualquier interferencia de radio o TV ocasionada por una modificación no autorizada sobre este horno microondas. Es responsabilidad del usuario corregir dicha interferencia.

Garantía Limitada de Horno Microondas GE Appliances

GARANTÍA LIMITADA

Staple your receipt here.
Proof of the original purchase
date is needed to make a
warranty claim.

For the period of	GE Appliances Decidirá Reparar o Reemplazar:
One year From the date of the original purchase	Cualquier producto que falle debido a un defecto en los materiales o la fabricación. La unidad de reemplazo posee garantía por el resto del período de garantía original de un año sobre el producto.

A Fin de Realizar un Reclamo sobre la Garantía:
Llame a GE Appliances al 800 GE CARES (800 432-2737). Tenga el número de modelo y el número de serie disponibles.

Qué No Cubrirá GE Appliances:

- Instrucciones para el cliente. Este manual del propietario brinda información relacionada con instrucciones de funcionamiento y controles del usuario. El Manual del Propietario está disponible a través de Internet en GEAPPLIANCES.com
- Instalación, entrega o mantenimiento inadecuados.
- Falla del producto o daño sobre el mismo si se produce un abuso, uso inadecuado (por ejemplo: arco eléctrico en una cavidad de la rejilla o metal/papel de aluminio), o uso diferente para el cual fue diseñado o uso comercial.
- Reemplazo de fusibles de la casa o reinicio de disyuntores.
- Daños ocasionados sobre el producto por accidente, incendio, inundaciones o catástrofes naturales.
- Daños consecuentes o incidentales causados por posibles defectos de este producto.
- Daño causado después de la entrega.

EXCLUSIÓN DE GARANTÍAS IMPLÍCITAS

Su única y exclusiva alternativa es la reparación del producto, como se indica en la Garantía Limitada. Las garantías implícitas, incluyendo garantías implícitas de comerciabilidad o conveniencia sobre un propósito particular, se limitan a un año o al período más corto permitido por la ley.

Esta garantía se extiende al comprador original y a cualquier dueño subsiguiente de productos comprados para uso hogareño dentro de EE.UU.

Algunos estados no permiten la exclusión o limitación de daños fortuitos o consecuentes. Esta garantía limitada le da derechos legales específicos y es posible que tenga otros derechos legales que varían entre un estado y otro. Para conocer cuáles son sus derechos legales, consulte a la oficina de asuntos del consumidor local o estatal o al Fiscal de su estado.

Exclusión de garantías implícitas: Excepto cuando esté prohibido por la ley, no existen garantías, ya sean expresas, orales o estatutarias, que se extiendan más allá de la descripción aquí presente, incluyendo específicamente las garantías implícitas de comerciabilidad o conveniencia para un propósito particular.

Garante: GE Appliances, a Haier company

Soporte para el Consumidor

Sitio Web de GE Appliances

¿Desea realizar una consulta o necesita ayuda con su electrodoméstico? ¡Intente a través del Sitio Web de GE Appliances las 24 horas del día, cualquier día del año! Usted también puede comprar más electrodomésticos maravillosos de GE Appliances y aprovechar todos nuestros servicios de soporte a través de Internet, diseñados para su conveniencia.

GEAppliances.com

Registre su Electrodoméstico

¡Registre su electrodoméstico nuevo a través de Internet, según su conveniencia! Un registro puntual de su producto permitirá una mejor comunicación y un servicio más puntual de acuerdo con los términos de su garantía, en caso de surgir la necesidad. También puede enviar una carta en la tarjeta de inscripción preimpresa que se incluye con el material embalado.

GEAppliances.com/register

Servicio Programado

El servicio de reparación de expertos de GE Appliances está a sólo un paso de su puerta. Conéctese a través de Internet y programe su servicio a su conveniencia cualquier día del año. **GEAppliances.com/service** o comuníquese al 800.432.2737 durante el horario de atención comercial.

Conectividad Remota

Para solicitar asistencia para la conectividad de red inalámbrica (para modelos con acceso remoto), visite nuestro sitio web en **<http://www.GEAppliances.com/ConnectMyMicrowave>**.

Piezas y Accesorios

Aquellos individuos calificados para realizar el servicio técnico de sus propios electrodomésticos podrán solicitar el envío de piezas o accesorios directamente a sus hogares (se aceptan las tarjetas VISA, MasterCard y Discover). Ordene hoy a través de Internet durante las 24 horas, todos los días. **GEApplianceparts.com** o de forma telefónica al 877.959.8688 durante el horario de atención comercial.

Contáctenos

Si no se encuentra satisfecho con el servicio que recibió de GE Appliances, comuníquese con nosotros a través de nuestro sitio Web **GEAppliances.com/service/chat** con todos los detalles, incluyendo su número telefónico, o escriba a:

General Manager, Customer Relations | GE Appliances, Appliance Park | Louisville, KY 40225

GEAppliances.com/contact