

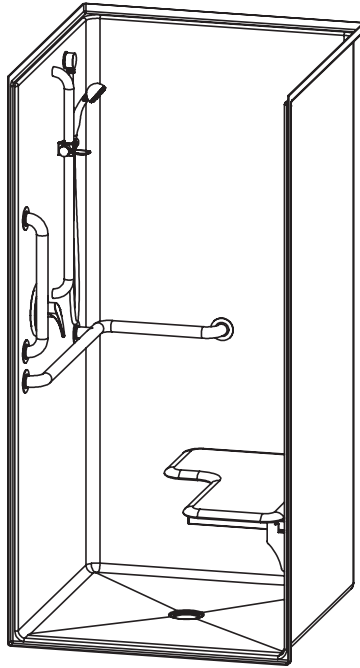
1363BFSC – ACCESSIBLE SHOWERS

inches

Interior: 36 x 36 x 75

Exterior: 38 x 38 1/4 x 77

The 1363BFSC transfer shower features innovative installation design, including an engineered leveled base and improved front threshold. A true time and money saver, our pre-leveled base lets you install directly on a **level** floor. And its front threshold is engineered to keep a constant level without the use of brackets during installation.



FEATURES

- Pre-leveled base
- AcrylX™ applied acrylic surface
- 3/4" skirt
- No threshold
- Barrier free when properly installed
- Smooth wall
- Center drain
- Lifetime limited warranty

OPTIONS

- RH or LH fixture wall
- Grab bars
- Fold-up seat
- Hand-held shower assembly with slide bar
- Pressure balancing mixing valve
- Soap dish
- Curtain rod and/ or shower curtain

AQUATIC ADVANTAGE

- National distribution
- 6 manufacturing facilities
- Private fleet
- Centralized customer service
- Field support

COLOR & TRIM OPTIONS

Stock	Upgraded
Almond	Biscuit
White	Bone

**Additional custom colors available.
(Contact Customer Service)

CODE COMPLIANCE

- ADA
- TAS
- FHA
- ICC/ANSI A117.1
- HUD UM73a
- IAPMO Z124-2011
- CAN/CSA-B651-04
- CSA-B45-11

**Code compliant when fully equipped and installed according to guidelines.



Aquatic products may be specified as Lasco Bathware.



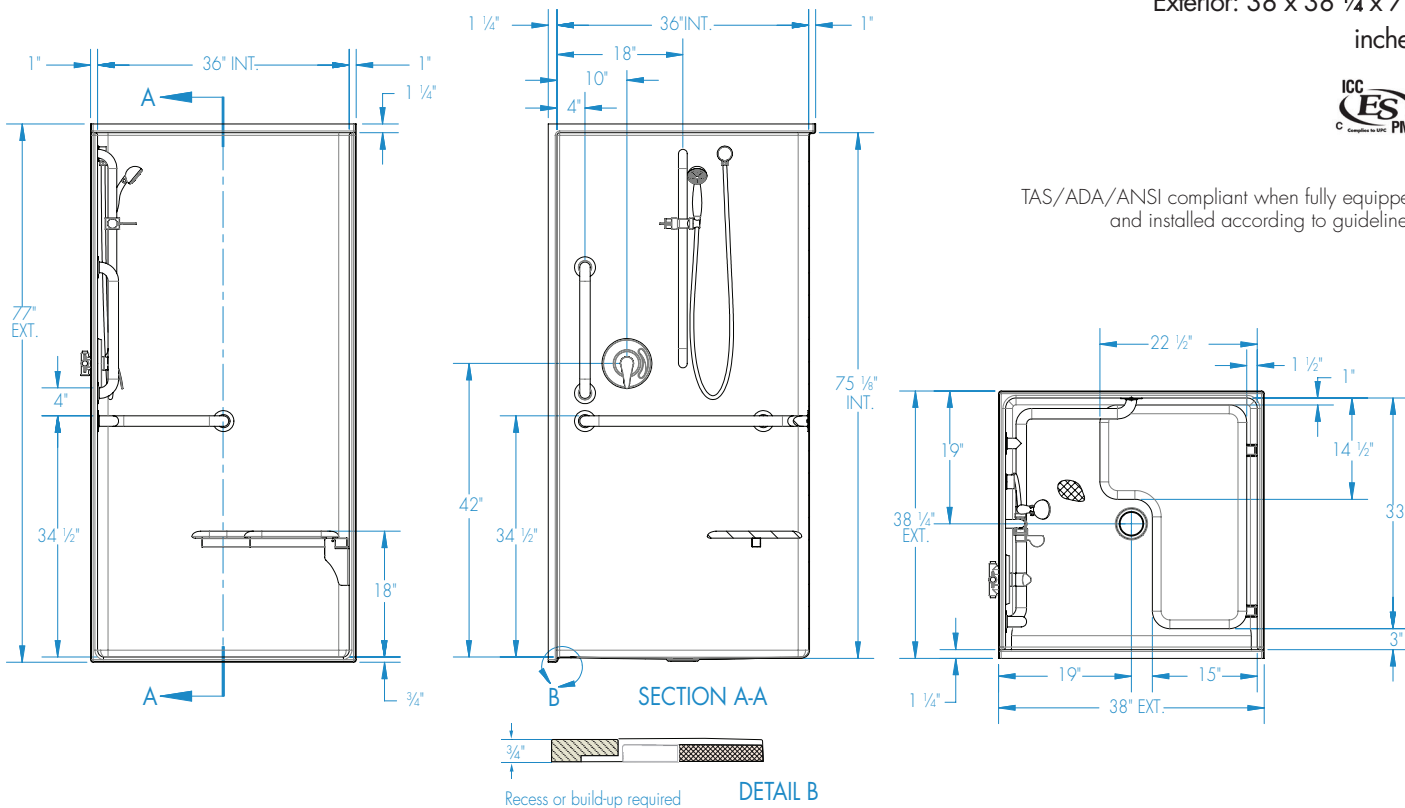
Aquatic products may be specified as Lasco Bathware.

1363BFSC

Interior: 36 x 36 x 75
Exterior: 38 x 38 1/4 x 77
inches



TAS/ADA/ANSI compliant when fully equipped and installed according to guidelines.



FEATURES

Dimensional Tolerance $\pm \frac{3}{8}$ ". Dimensions needed for site preparation should be measured from the unit. Aquatic assumes no responsibility for preparatory work.

Type and Model #	Material	Wall Finish	Pieces	Drain	Dam/Skirt Height	Net Wt. lbs	Pkg. Wt. lbs
Shower #1363BFSC	AcrylX™	Smooth	1	Center	3/4" skirt, NO threshold	140	150

DIMENSIONS

Specifications	inches
Width: Overall / Net	38 / 36
Depth: Overall / Net	38 1/4 / 36
Height: Overall / Net	77 / 75
Enclosure Opening:	36
Skirt Height:	3/4
Drain Rough-In (from Back Wall)	19
Drain Rough-In (from Side Wall)	19

FRAMING DIMENSIONS inches

Type	D Depth	W Width	H Height	A	B	C
Alcove	38 1/4	38 1/8	-	Box Out	19	19

