



Location:



SLS0488PP Single Handle Lavatory Faucet Specification Submittal

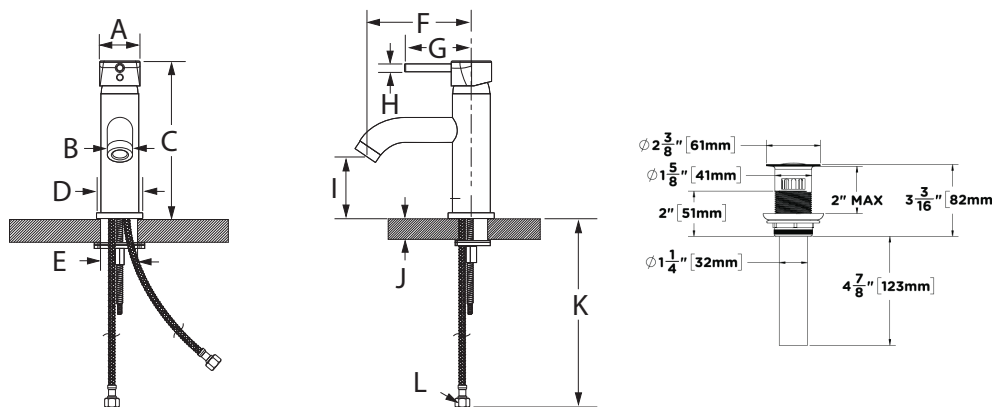


Model Numbers	Feature Highlights
<input type="checkbox"/> SLS0488PP Single Handle Lavatory Faucet with Push Pop Drain Assembly	<ul style="list-style-type: none"> • Single Handle Lavatory Faucet shall include single hole mount configuration • Ceramic cartridge • Braided hose connections • Metal drain assembly and 1.0 gpm (3.8 L/min) aerator • Faucet shall be metal construction • Plated in standard polished chrome finish
Options/Modifications	Compliance
<input type="checkbox"/> STN Satin Nickel finish Note: Append appropriate suffix to model number.	<ul style="list-style-type: none"> -ASME A112.18.1/CSA B125.1 -NSF/ANSI 61.9, NSF/ANSI 372 -WaterSense 1.0 gpm (3.8 L/min) 
Warranty Limited Lifetime - to the original end purchaser in consumer/residential installations. 10 Years - for commercial/industrial installations. Refer to www.symmons.com/warranty for complete warranty information. 	

Architectural/ Engineering Specification

Symmons Sereno Single Handle Lavatory Faucet _____ Includes single hole mount configuration, ceramic configuration, braided hose connections, metal drain assembly, and 1.0 gpm aerator and is made of metal construction with standard polished chrome finish. 10 Year Commercial Warranty. ASME A112.18.1/CSA B125.1, NSF/ANSI 61.9, NSF/ANSI 372, and WaterSense 1.0 gpm (3.8 L/min) compliant. Available options: "STN - Sain Nickel Finish".

Dimensions



Measurements	
A	Ø 1-3/4", 44 mm
B	1-3/16", 30 mm
C	7-3/8", 187 mm
D	Ø 2-1/4", 57 mm
E	Hole Size: Min. Ø 1-1/4", 32 mm Max. Ø 1-3/4", 44 mm
F	4-15/16", 125 mm
G	3-1/8", 79 mm
H	Ø 3/8", 10 mm
I	2-15/16", 75 mm
J	Deck Thickness Ref. Max. 1-1/4", 32 mm
K	14-1/2", 368 mm
L	3/8" compression fitting

Note: Dimensions subject to change without notice.