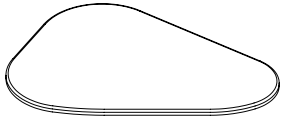


ASSEMBLY INSTRUCTIONS

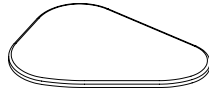
NESTING COFFEE TABLE

A Table Top (Large)



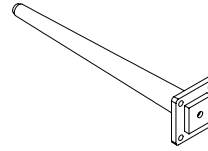
1PC

B Table Top (Small)



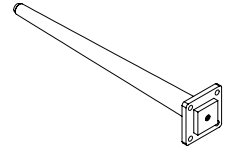
1PC

C Wood Leg (Short)



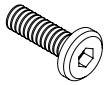
4PCS

D Wood Leg (Tall)



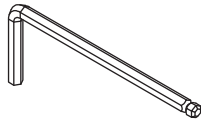
4PCS

E Bolt
Ø1/4" x 7/8" x Ø13

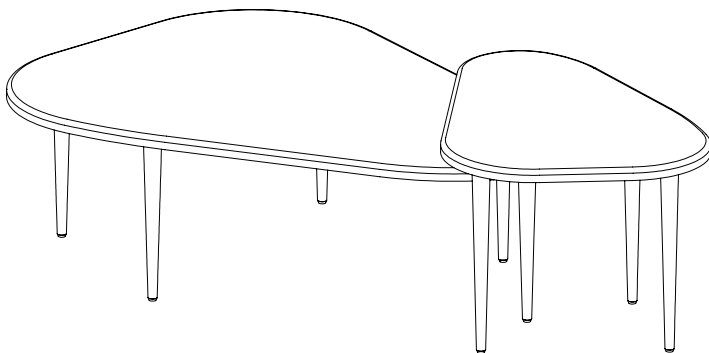


32PCS (Divided in 2PACKS)

F Allen Key
M4

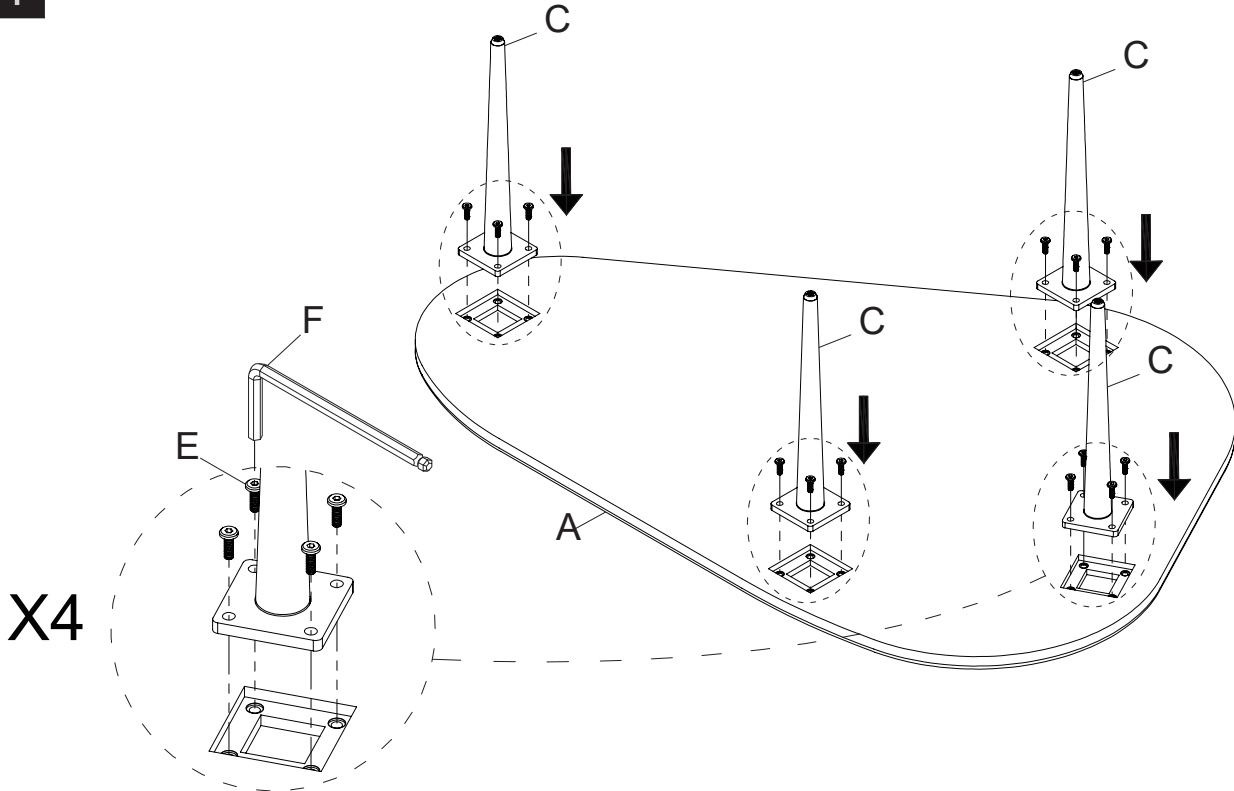


2PCS (Divided in 2PACKS)

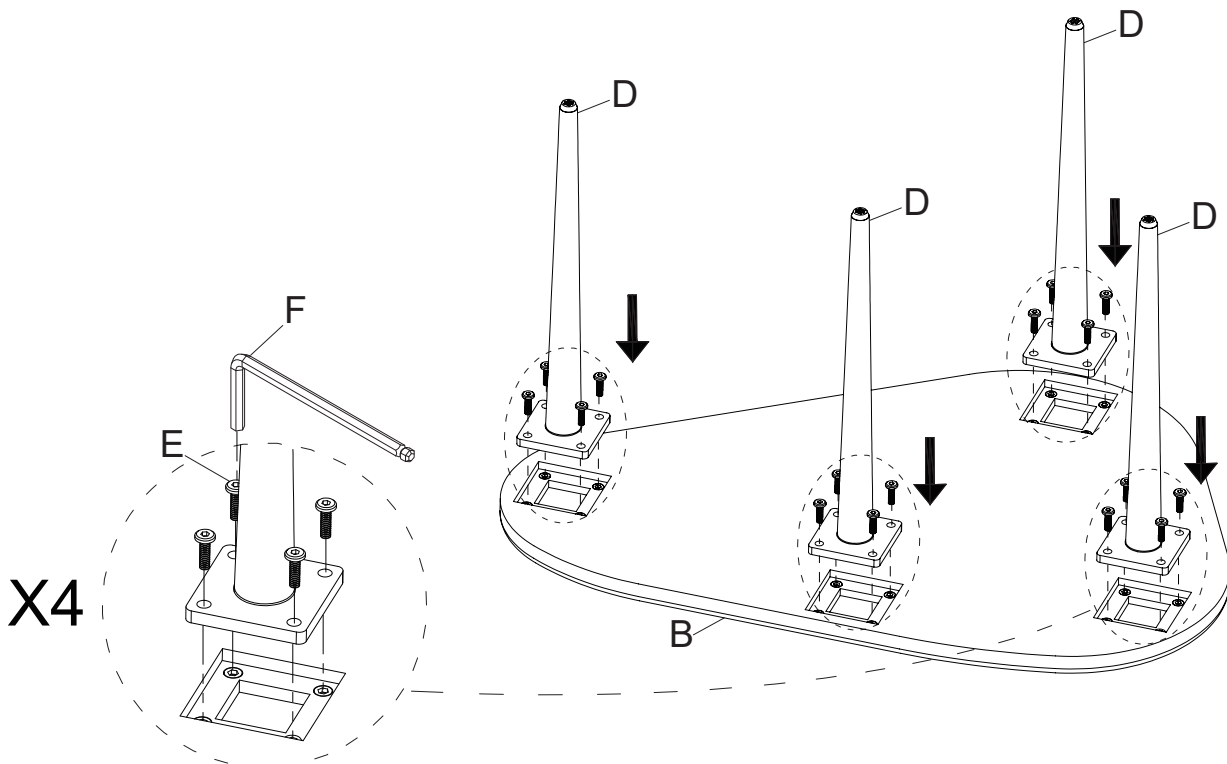


This page lists all the contents included in the box. Please take the time to identify the hardware as well as the individual components to this product. As you unpack and prepare for assembly, place the contents on a carpeted or padded area to protect them from damage.

1 Attach the Wood Leg (Short) (C) to the Table Top (Large) (A) using Bolt (E) with Allen Key (F).



2 Attach the Wood Leg (Tall) (D) to the Table Top (Small) (B) using Bolt (E) with Allen Key (F).



Cleaning & Care

Treat surfaces with care. Surfaces are resistant to scratches but are not scratch resistant. Clean surfaces with a dry or damp soft cloth. Do not use abrasive cleaners. Hardware may loosen over time. Periodically check that all connections are tight.