



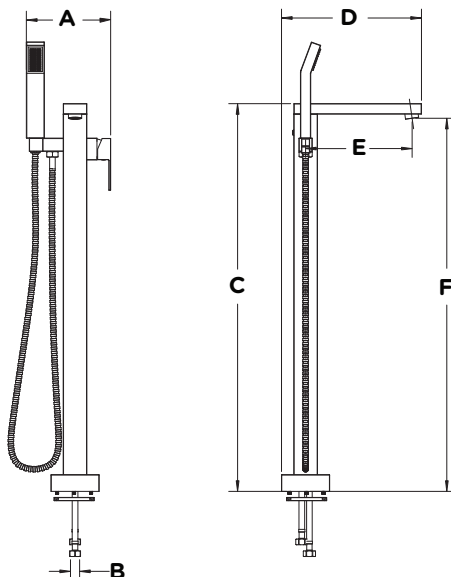
FSTF367220
 Floor Standing Tub Filler
Specification Submittal

Model Numbers	Feature Highlights
<input type="checkbox"/> FSTF367220 <i>Floor standing tub filler</i>	<ul style="list-style-type: none"> • Ceramic cartridge • Push button to divert from spout to hand shower • 60" flexible metal hose • 1 mode hand shower • 2.0 gpm (7.6 L/min) hand shower • Floor Standing Tub Filler shall be metal construction plated in standard polished chrome finish • 5.3 gpm (20.1 L/min) at 45 psi tub filler • 6.5 gpm (24.6 L/min) at 60 psi tub filler
Options/ Modifications	
<input type="checkbox"/> STN <i>Satin nickel finish</i> <input type="checkbox"/> MB <i>Matte black finish</i> <input type="checkbox"/> BBZ <i>Brushed bronze finish</i> Note: Append appropriate -suffix to model number.	
Compliance - ASME A11.18.1 - CSA B125.1 <div style="text-align: center;">  </div>	Warranty Limited Lifetime - to the original end purchaser in consumer/residential installations. 10 Years - for commercial/industrial installations. Refer to www.symmons.com/warranty for complete warranty information. <div style="text-align: right;">  </div>

Architectural/Engineering Specification

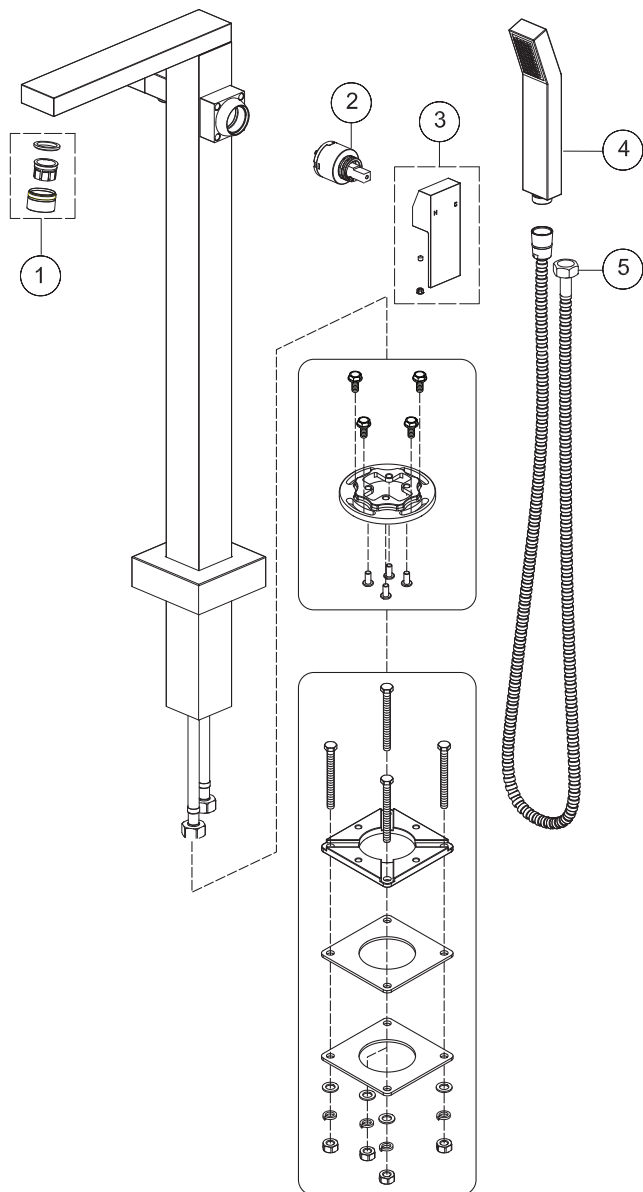
Floor standing tub filler with ceramic cartridge and push button to divert from spout to hand shower. Includes 60" flexible metal hose and a 2.0 gpm (7.6L/min) hand shower. Modifications include "Satin nickel finish", "Matte black finish", and "Brushed bronze finish".

Dimensions



Measurements	
A	7", 178mm
B	2X1/2-14NPSM
C	32-5/16", 821mm
D	11-5/8", 296mm
E	8-7/8", 225mm
F	31-1/8", 790mm

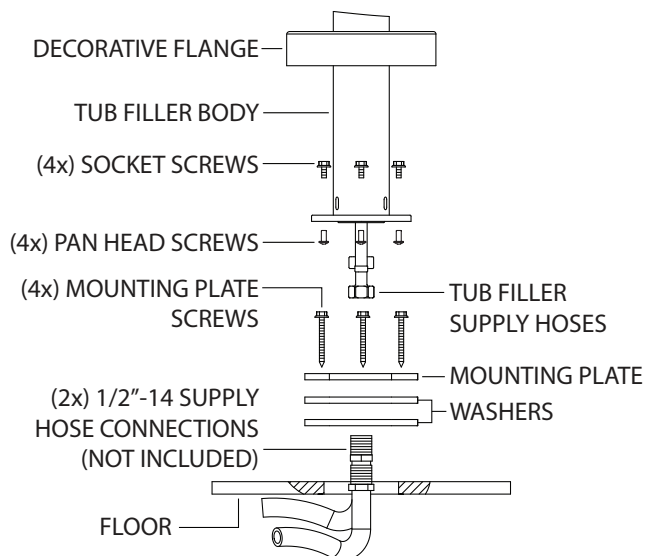
Installation/Parts Breakdown



Item	Description	Part Number
1	Stream Straightener, with housing	FLR-06026*
2	Cartridge	RT-05173
3	Handle Kit	RT-06025*
4	Hand Shower	RT-06027*
5	60" HOSE	RTS-045*

*Note: Append -STN, -MB, or -BBZ to part number for premium finish.

Tools Required	
Adjustable Wrench	
Drill	
Phillips Head Screwdriver	
Plumber Tape	
Safety Glasses	
Silicone	



Installation Notes:

- 1) Apply a bead of silicone around the perimeter of all faucet trim installed to deck surface.
- 2) Apply plumber tape to threaded connections as necessary. DO NOT use plumber tape on fittings with face seal washers or o-rings.
- 3) DO NOT OVERTIGHTEN fittings with face seal washers or o-rings.