

Installation Instructions

Vanity Top

Record your model number:

Noter le numéro de modèle:

Anote su número de modelo: _____

Français, page 9

Español, página 16

KOHLER®

Thank You for Choosing KOHLER

Need help? Contact our Customer Care Center.

USA/Canada: 1-800-4KOHLER (1-800-456-4537)

Mexico: 001-800-456-4537

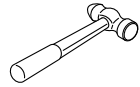
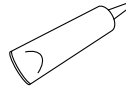
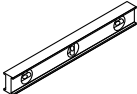
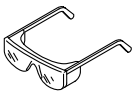
For service parts information, visit [kohler.com/serviceparts](https://www.kohler.com/serviceparts).

For care and cleaning information, visit [kohler.com/clean](https://www.kohler.com/clean).

Warranty

This product is covered under the **Silestone® 25-Year Limited Warranty**. This warranty will be effective only if you register your purchase within 6 months from the date of your invoice. Use the code found on the underside of your product to register your product. To view the warranty and register your product, go to [cosentino.com/usa/warranty](https://www.cosentino.com/usa/warranty). For a hardcopy of warranty terms, contact Cosentino Customer Service by phone at (786)-686-5060 or by email at CS@cosentino.com.

Tools



Siliconized Acrylic
Caulk

Ball Peen Hammer

Before You Begin



CAUTION: Risk of product damage. Product can break or chip if struck against a hard surface. Handle the countertop with care and get help when lifting.



CAUTION: Risk of personal injury. This countertop is heavy. Do not move or install this product without assistance. Two people are recommended for this installation.

NOTE: Inspect the water supplies, drain pipes, and trap. Replace if necessary.

NOTE: This countertop is designed to be installed with a KOHLER or standard-size vanity.

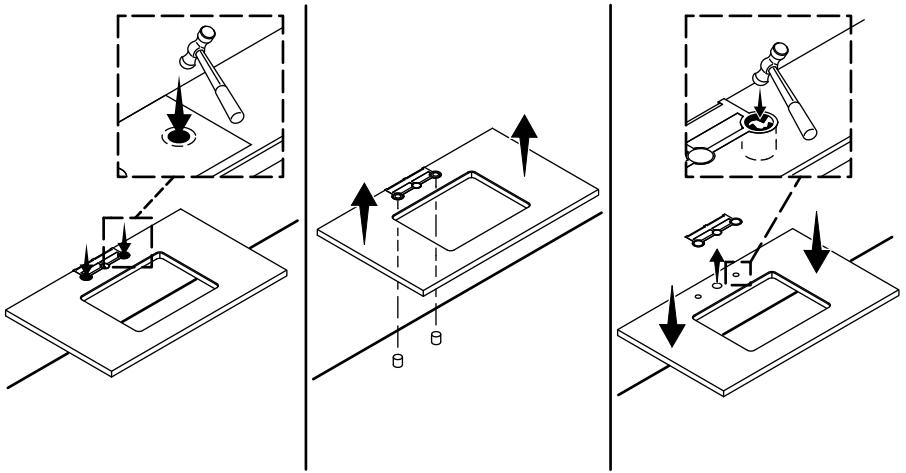
NOTE: Widespread, three-hole faucet locations are precut on the underside of the countertop.


NOTICE: Review the warranty registration code on the underside of the countertop before installing.


Your product may appear different from the one illustrated. The installation procedure is the same.

Follow all local plumbing and building codes.

1. Three-Hole Preparation



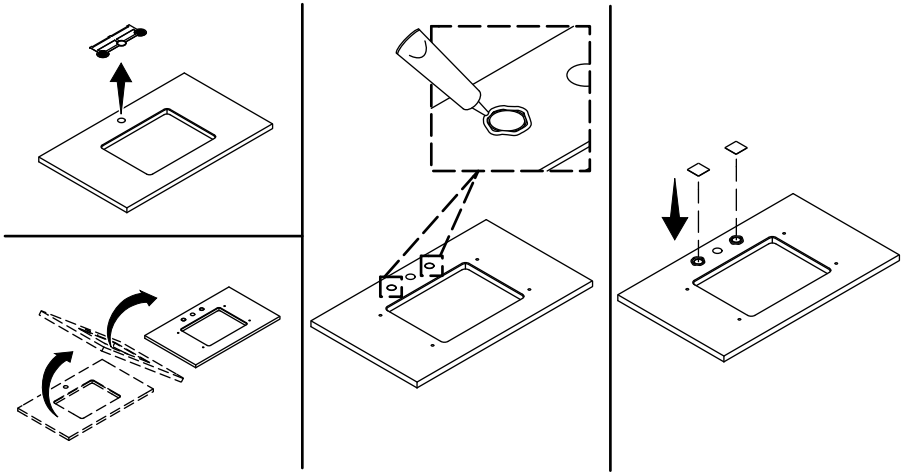
 **CAUTION: Risk of product damage.** Product can break or chip if struck against a hard surface. Handle the countertop with care and get help when lifting.

 **CAUTION: Risk of personal injury.** This countertop is heavy. Do not move or install this product without assistance. Two people are recommended for this installation.

IMPORTANT! Verify that the template is securely placed on the countertop.

- Place the countertop facing up and resting on a flat, level surface.
- Using a ball peen hammer, hit the centers of both knock-out holes to remove the holes.
- With assistance, lift the countertop to remove the main debris that was knocked out.
- Carefully place the countertop back down. Refine the outer edges of the knock-out holes by lightly hammering within the circles on the template.
- Remove the template on the countertop.

2. Single-Hole Preparation



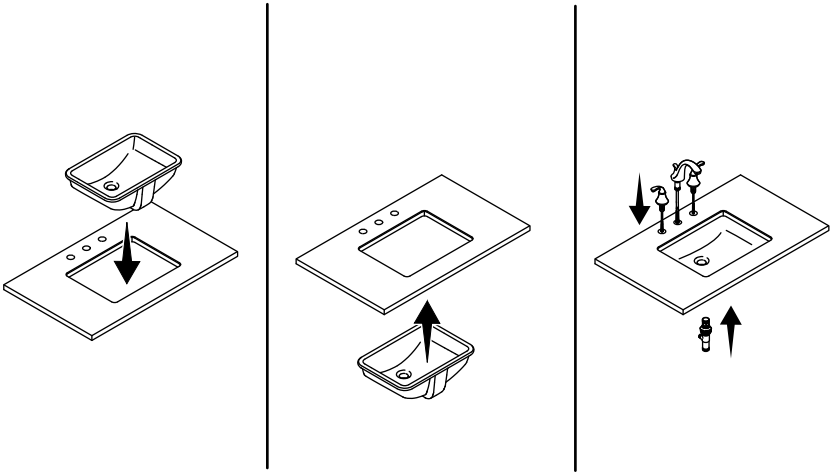
CAUTION: Risk of product damage. Product can break or chip if struck against a hard surface. Handle the countertop with care and get help when lifting.



CAUTION: Risk of personal injury. This countertop is heavy. Do not move or install this product without assistance. Two people are recommended for this installation.

- Remove the template on the countertop.
- With assistance, flip the countertop so that the underside is facing up.
- Apply siliconized acrylic caulk to the metal plates provided. Position the plates over the knock-out holes.
- Allow the caulk to cure for 48 hours before placing the countertop on the vanity.

3. Install the Sink and Faucet



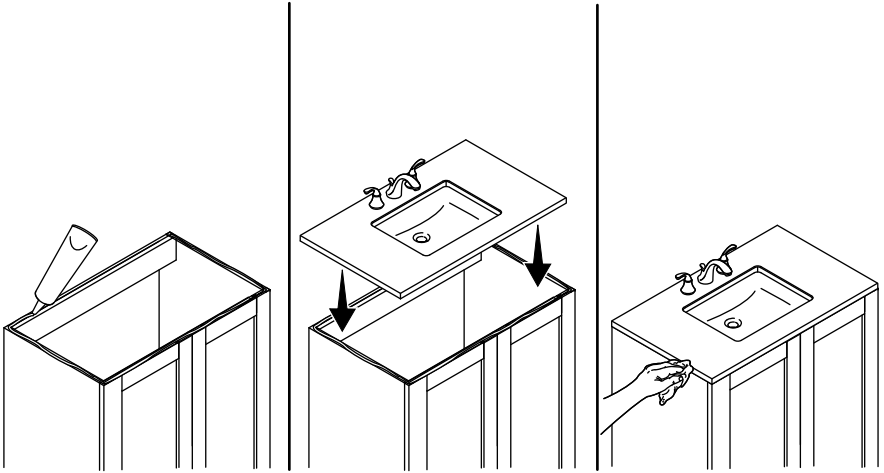
CAUTION: Risk of product damage. Product can break or chip if struck against a hard surface. Handle the countertop with care and get help when lifting.



CAUTION: Risk of personal injury. This countertop is heavy. Do not move or install this product without assistance. Two people are recommended for this installation.

- Install the sink according to the manufacturer's instructions.
- Install the faucet and drain according to the manufacturer's instructions.

4. Install the Countertop



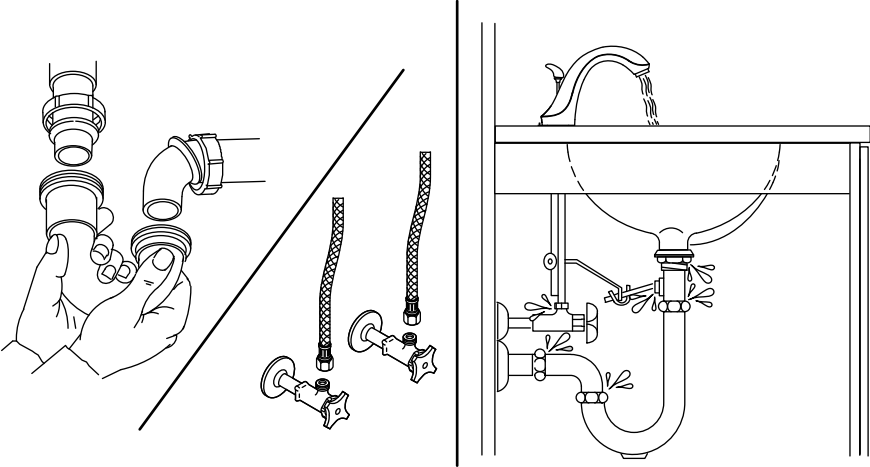
CAUTION: Risk of product damage. Product can break or chip if struck against a hard surface. Handle the countertop with care and get help when lifting.



CAUTION: Risk of personal injury. This countertop is heavy. Do not move or install this product without assistance. Two people are recommended for this installation.

- Apply siliconized acrylic caulk around the top of the vanity.
- With assistance, position the countertop on the vanity. Gently press down until the countertop is level.
- Wipe away any excess caulk.

5. Complete the Install



- Complete the faucet and drain connections.
- Run the water and check all connections for leaks.