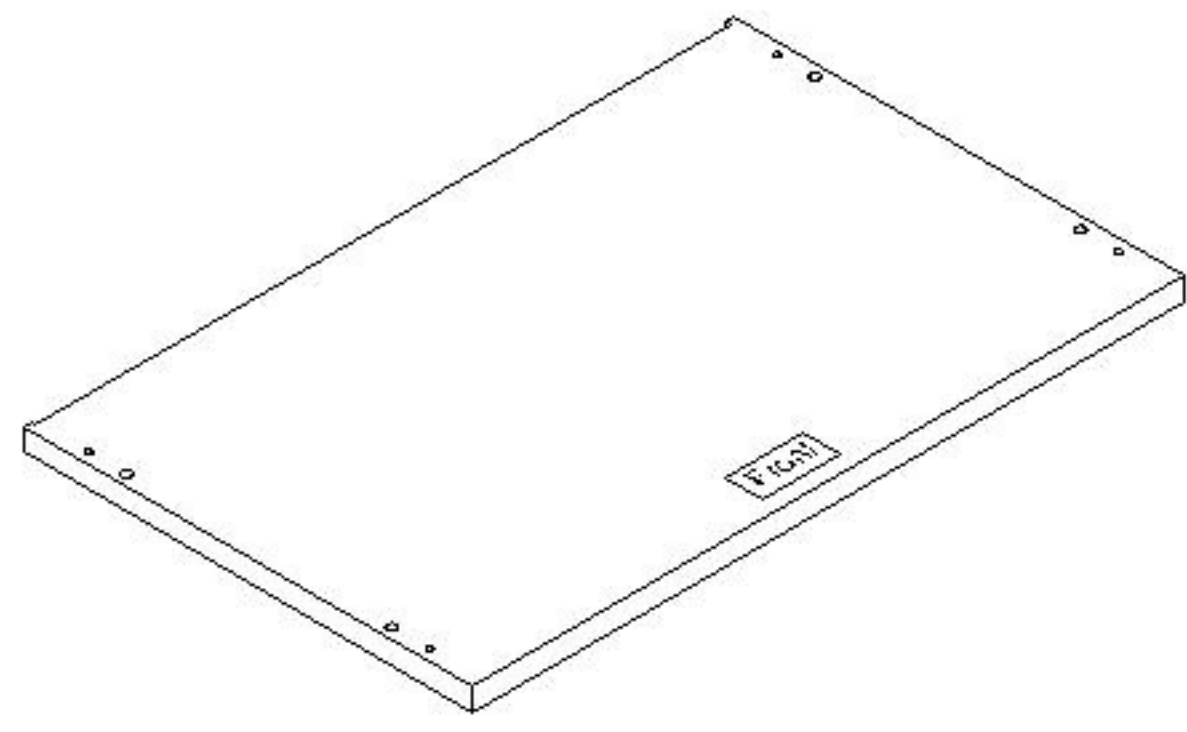


ASSEMBLY INSTRUCTION

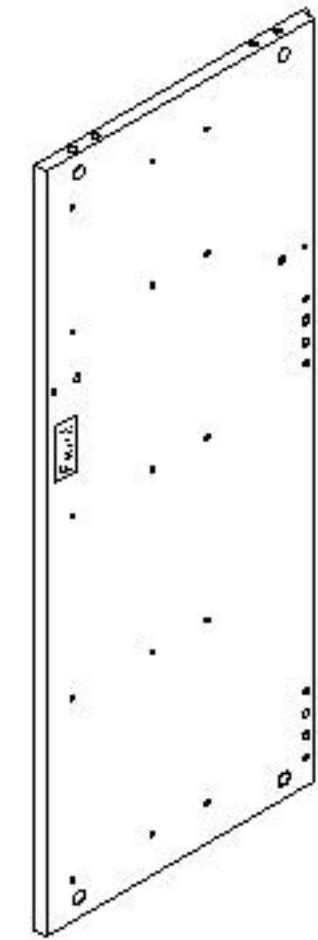
5-DRAWER CHEST

A Top Panel



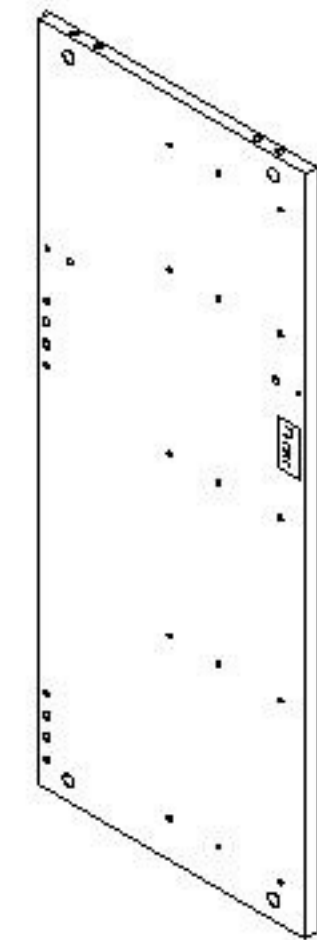
1pc

B Left Side Panel



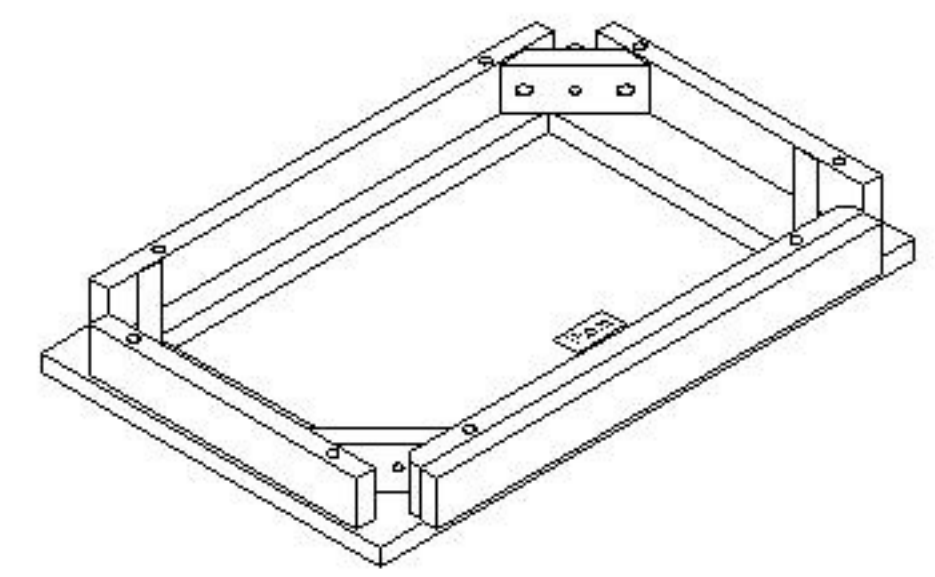
1pc

C Right Side Panel



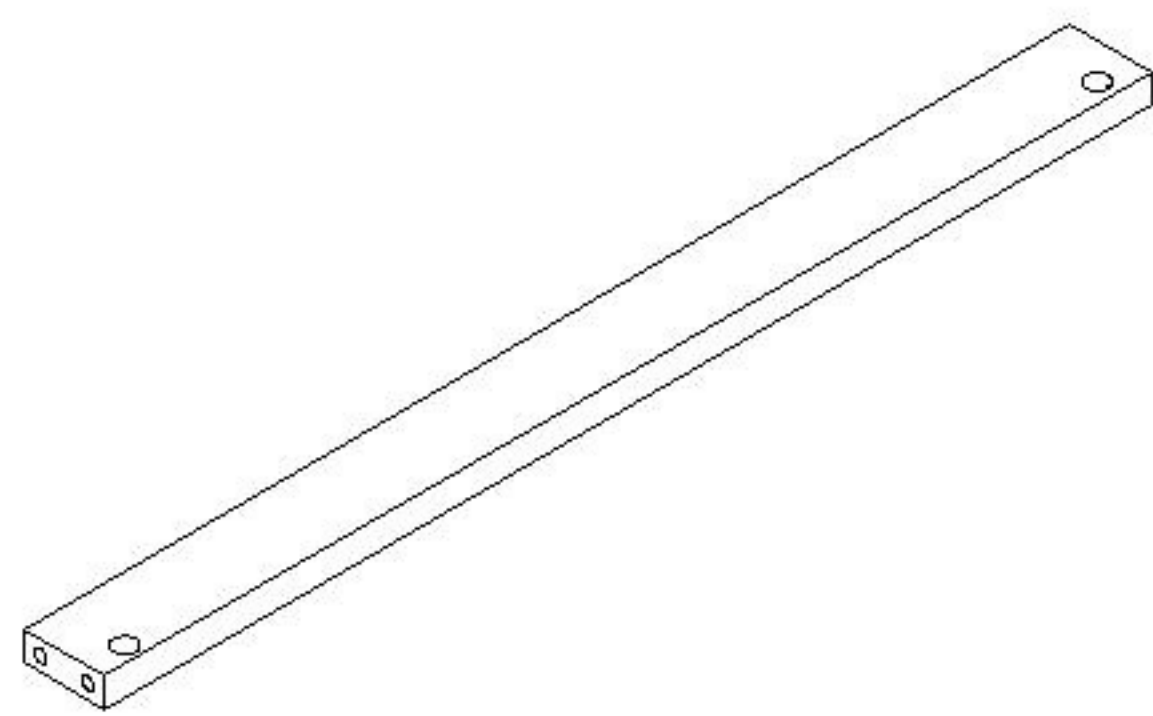
1pc

D Bottom Frame



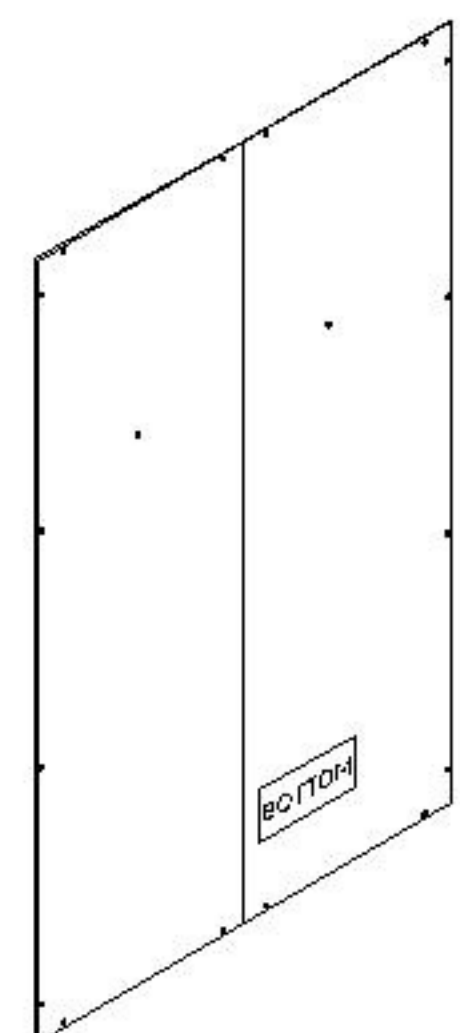
1pc

E Center Bar



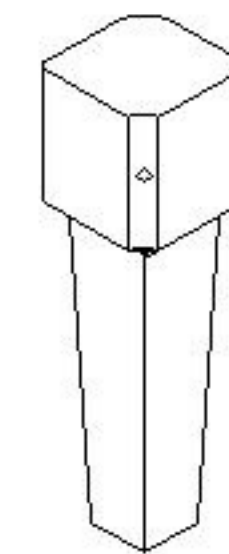
2pcs

F Back Plywood



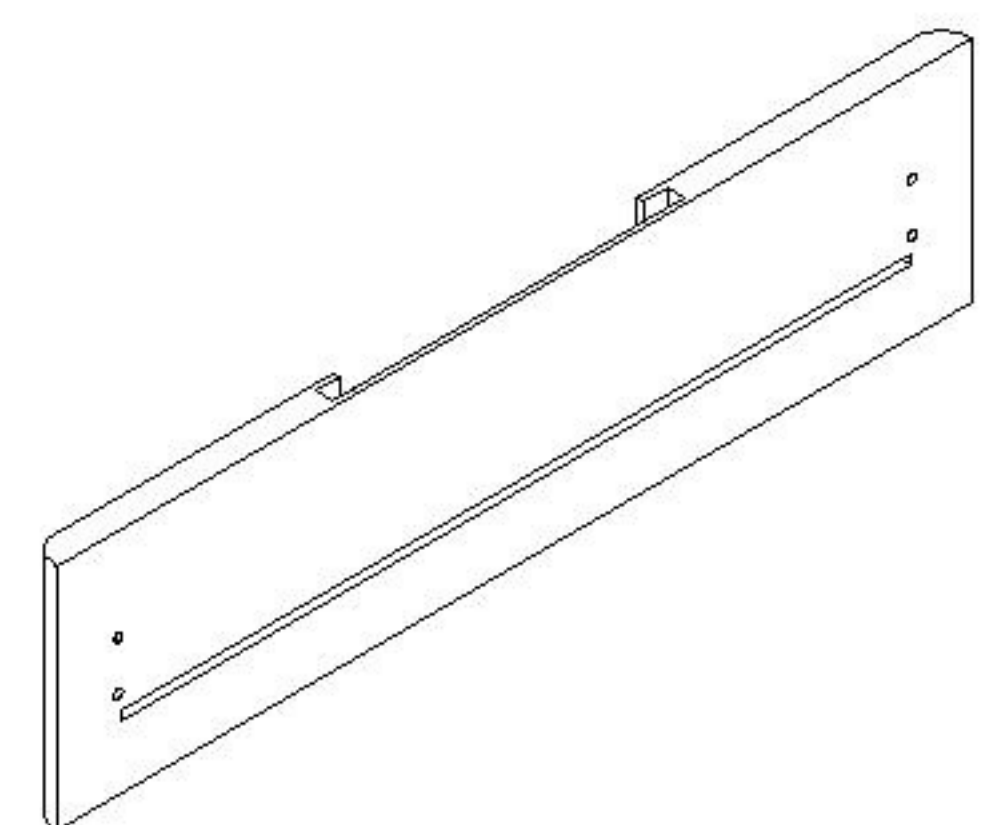
1pc

G Post



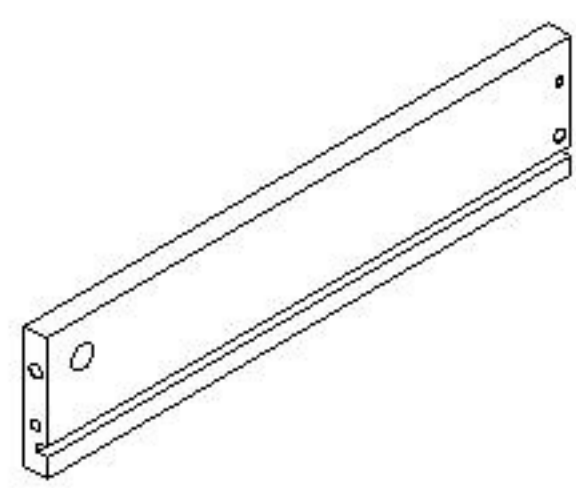
4pcs

H Small Drawer Front



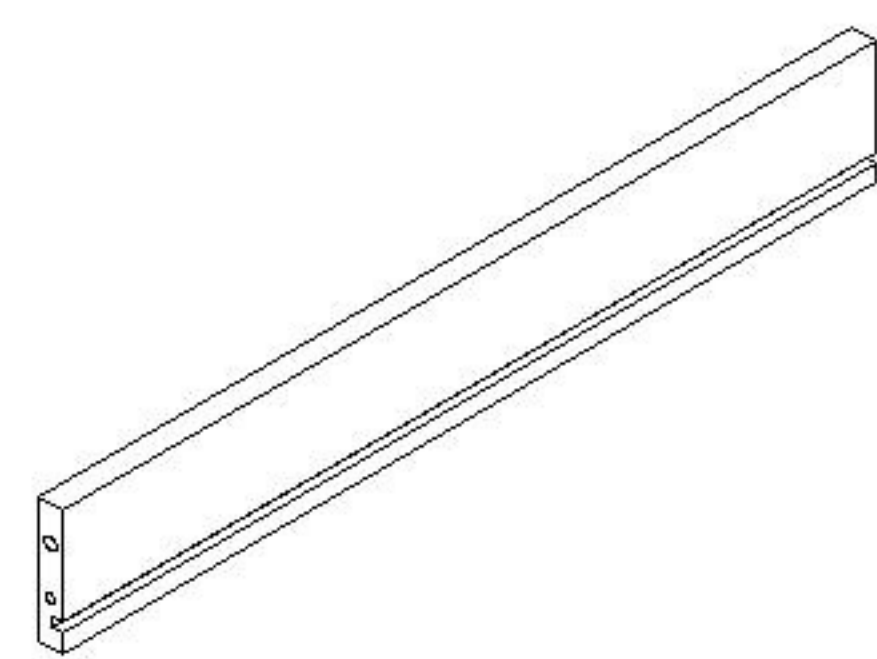
2pcs

I Left Small Drawer Side



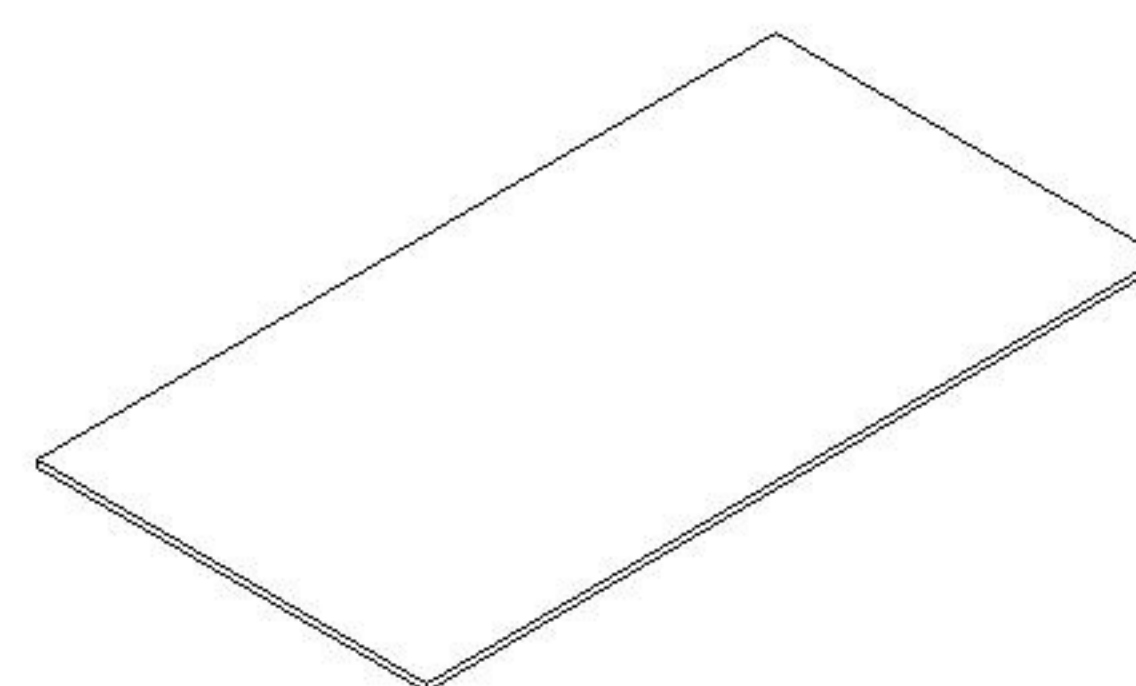
2pcs

J Small Drawer Back



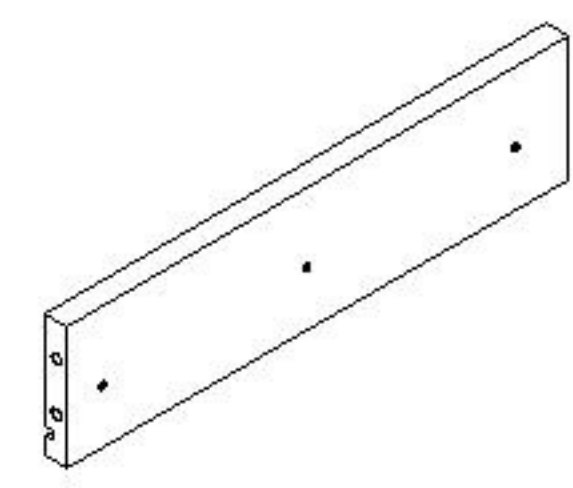
2pcs

K Drawer Base



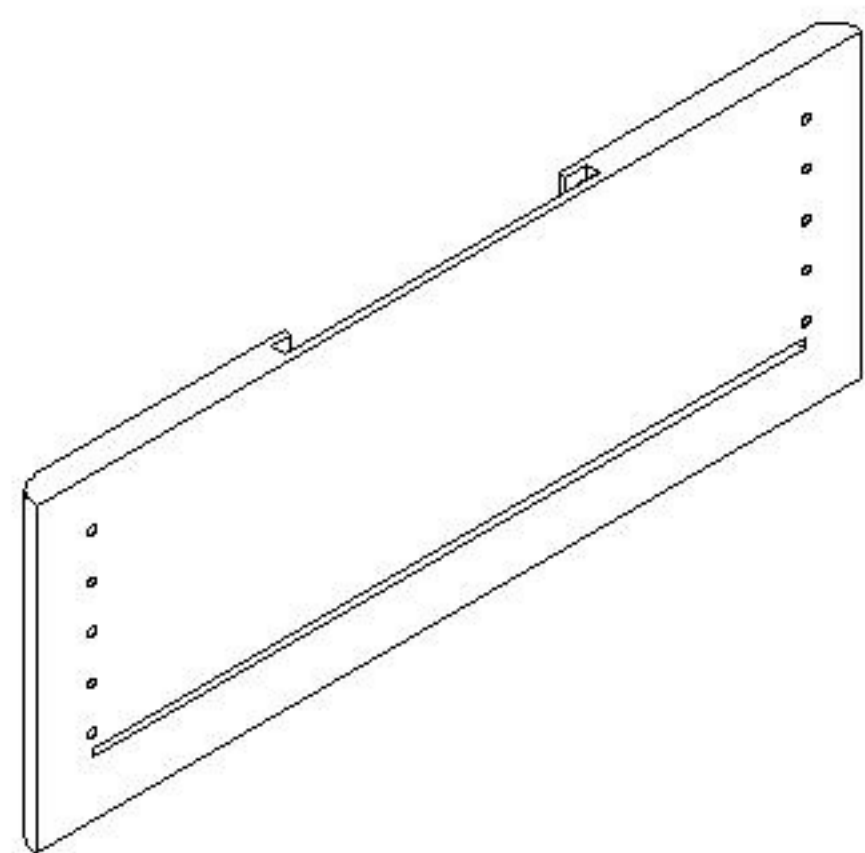
5pcs

L Right Small Drawer Side



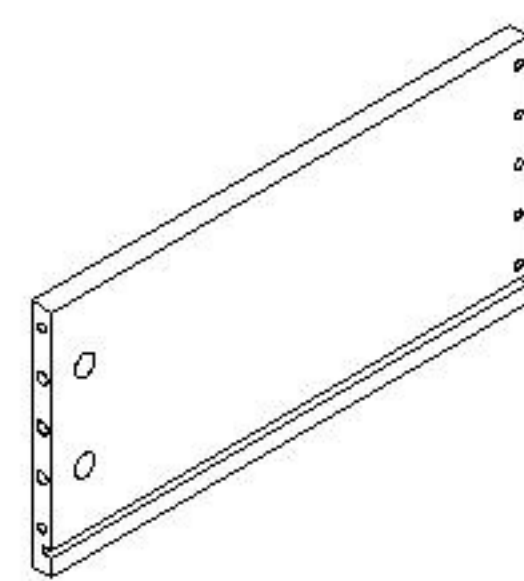
2pcs

M Big Drawer Front



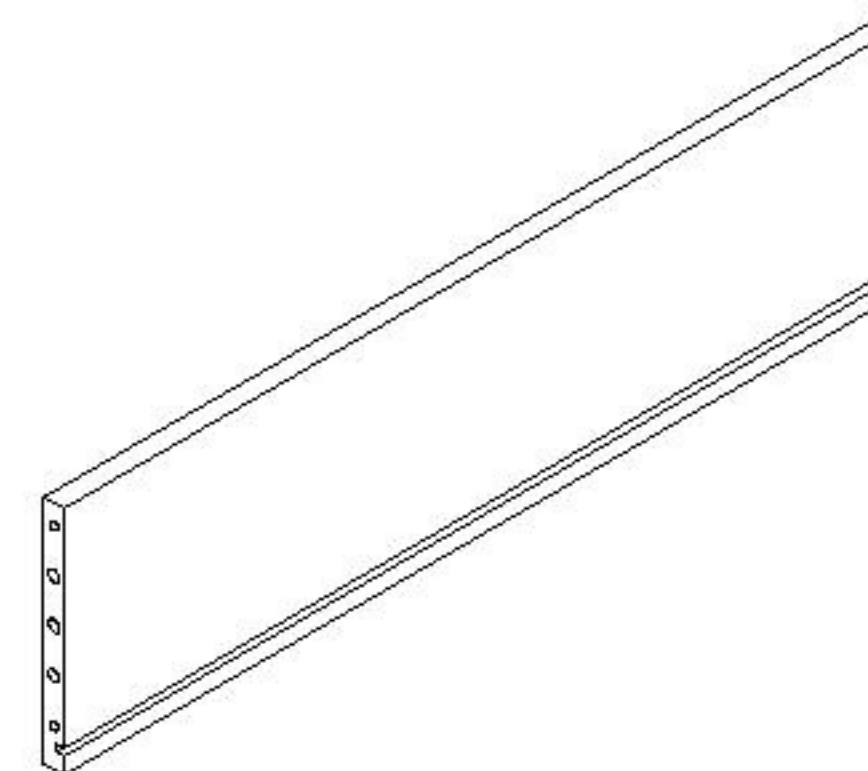
3pcs

N Left Big Drawer Side



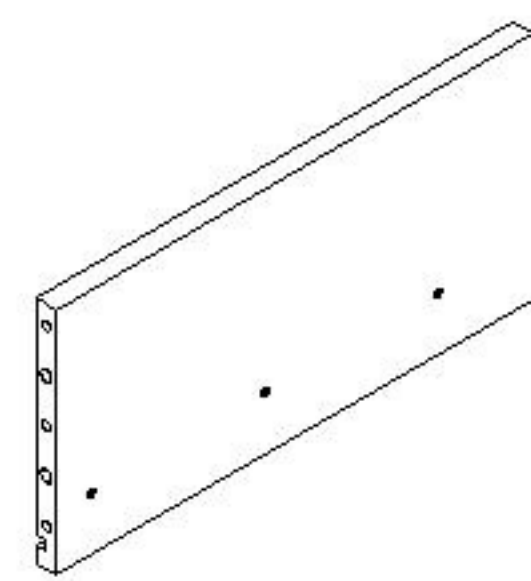
3pcs

O Big Drawer Back Side



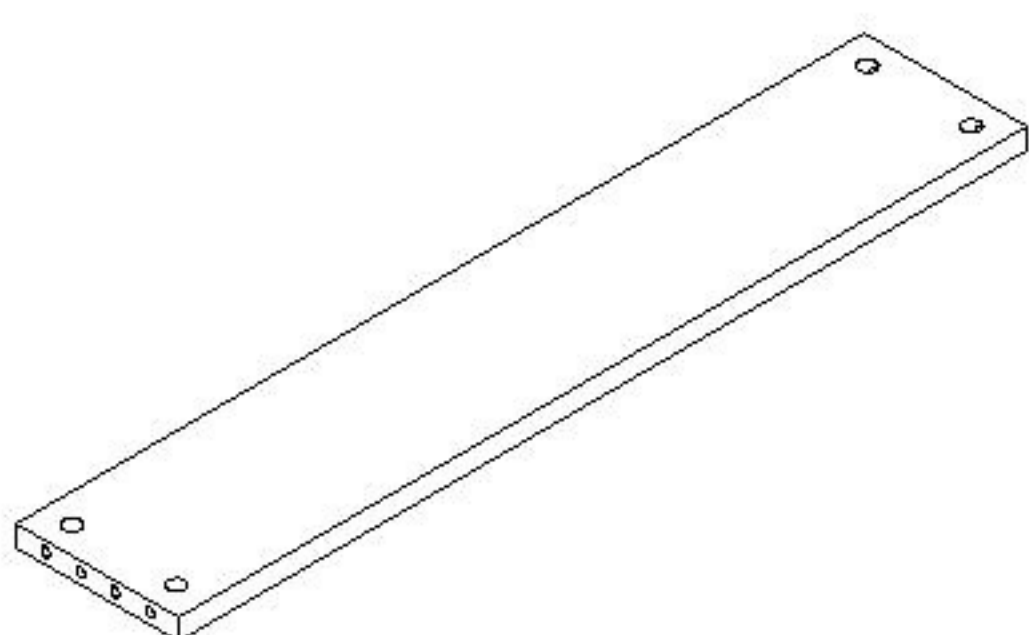
3pcs

P Right Big Drawer Side



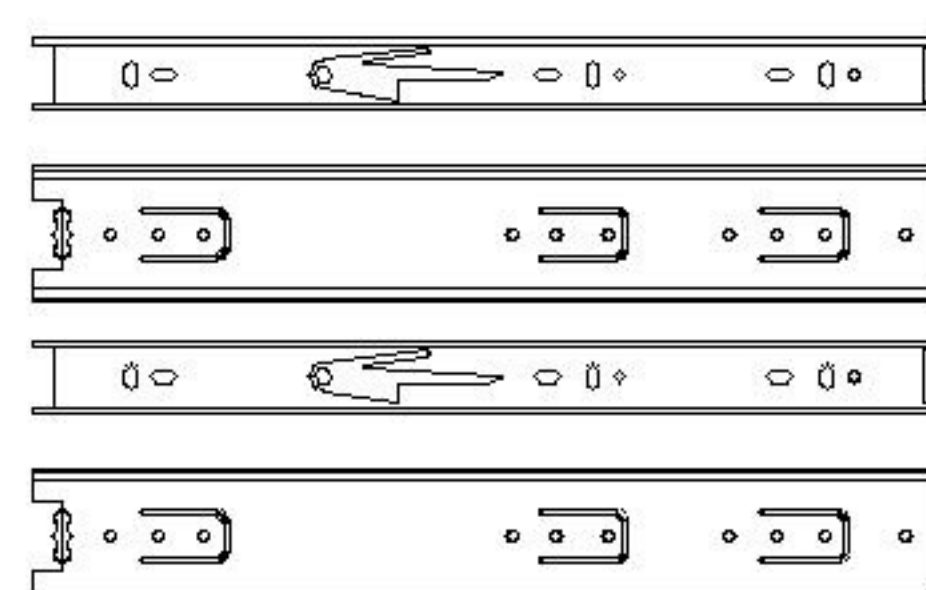
3pcs

Q Back Panel



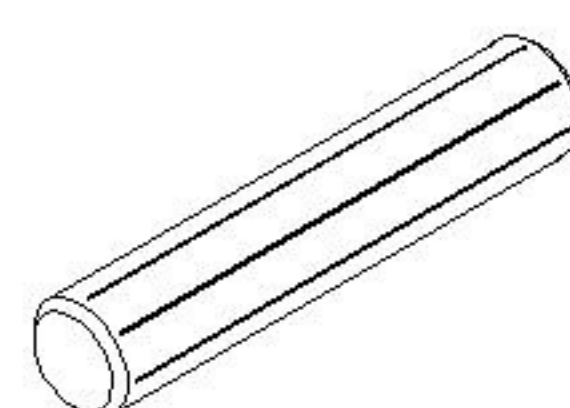
2pcs

R Runner
250mm



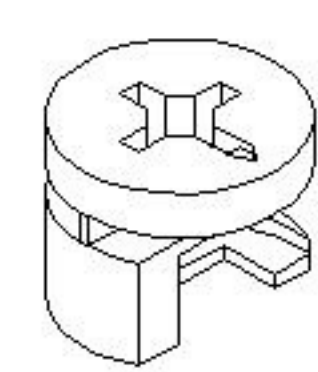
5sets

S Dowel
M8 x 35mm



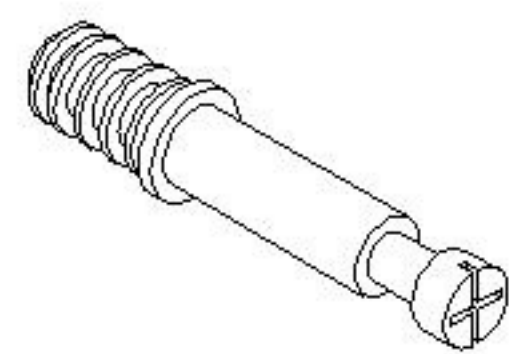
20pcs

T Cam Lock
15 x 12mm



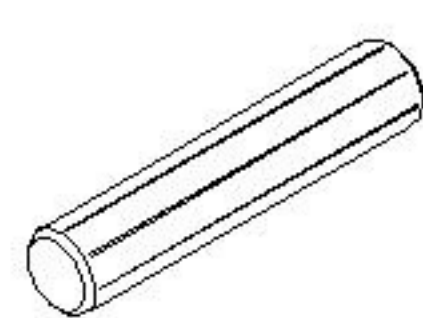
52pcs

U Cam Bolt
5 x 25mm



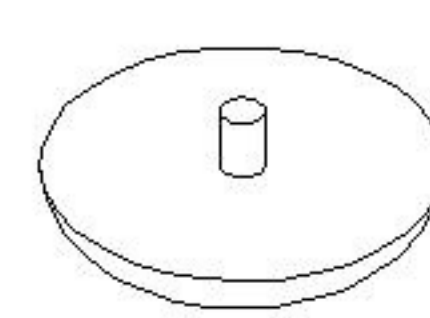
52pcs

V Dowel
M6 x 30mm



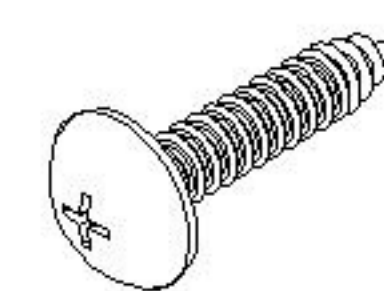
44pcs

W Cam Lock Cover
17 x 5mm



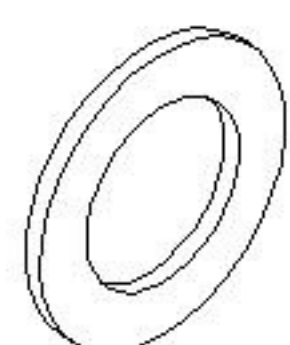
52pcs

X Panhead Screw
M4 x 16mm-Black



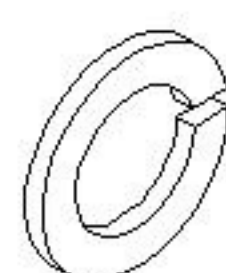
18pcs

Y Flat Washer
M6



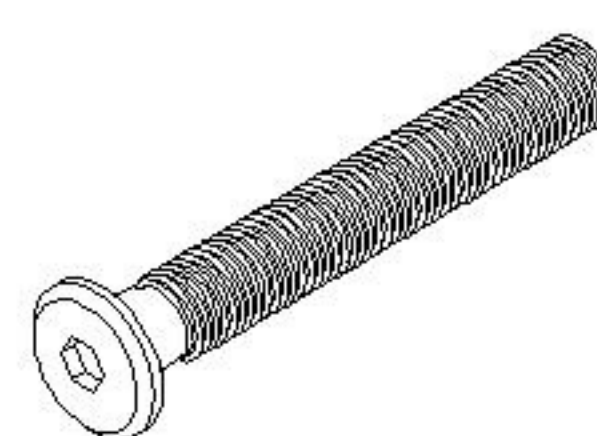
4pcs

Z Spring Washer
M6



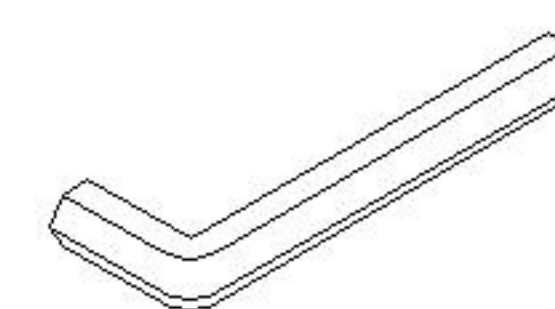
4pcs

AA JCBC Screw
M6 x 60mm



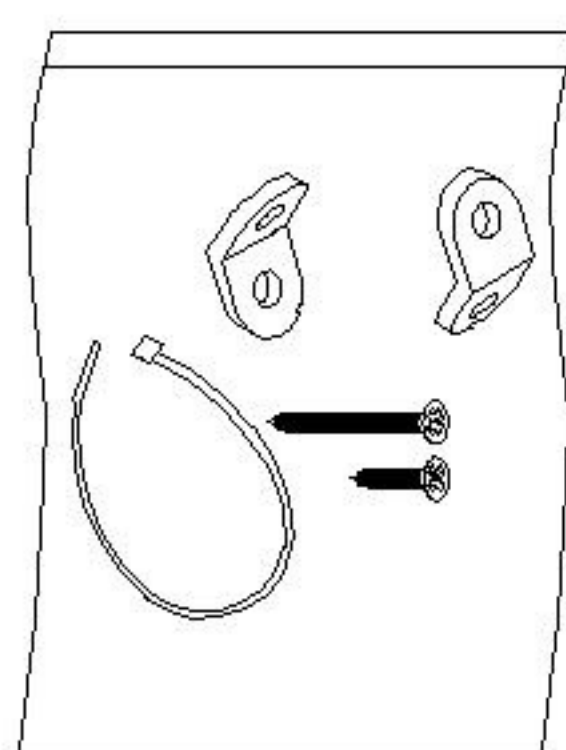
4pcs

AB Allen Key
M4



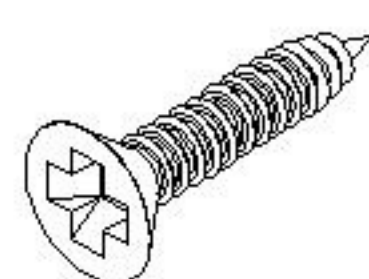
1pc

AC Anti-Tipping Kit

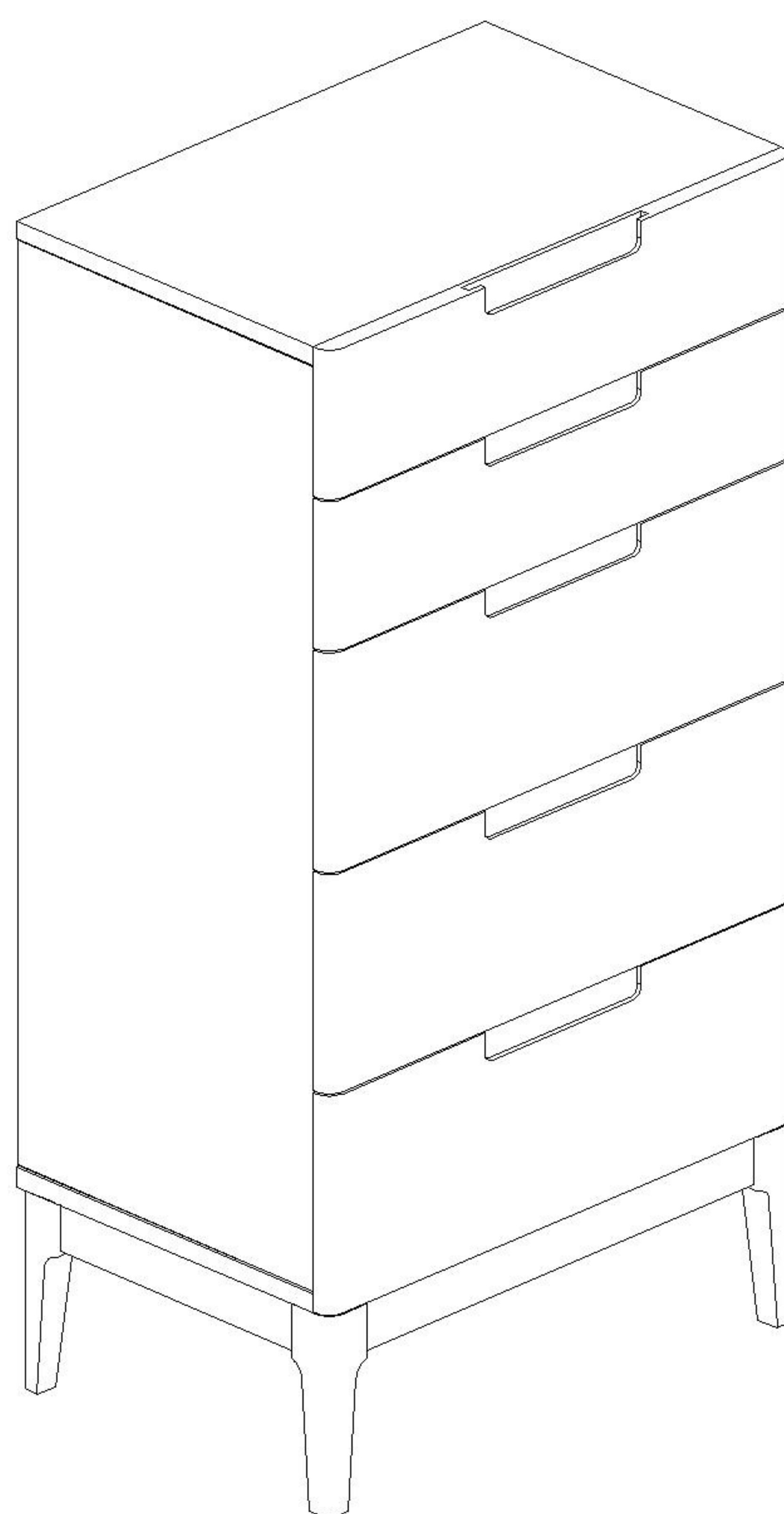


1set

AD Screw
M3 x 16mm

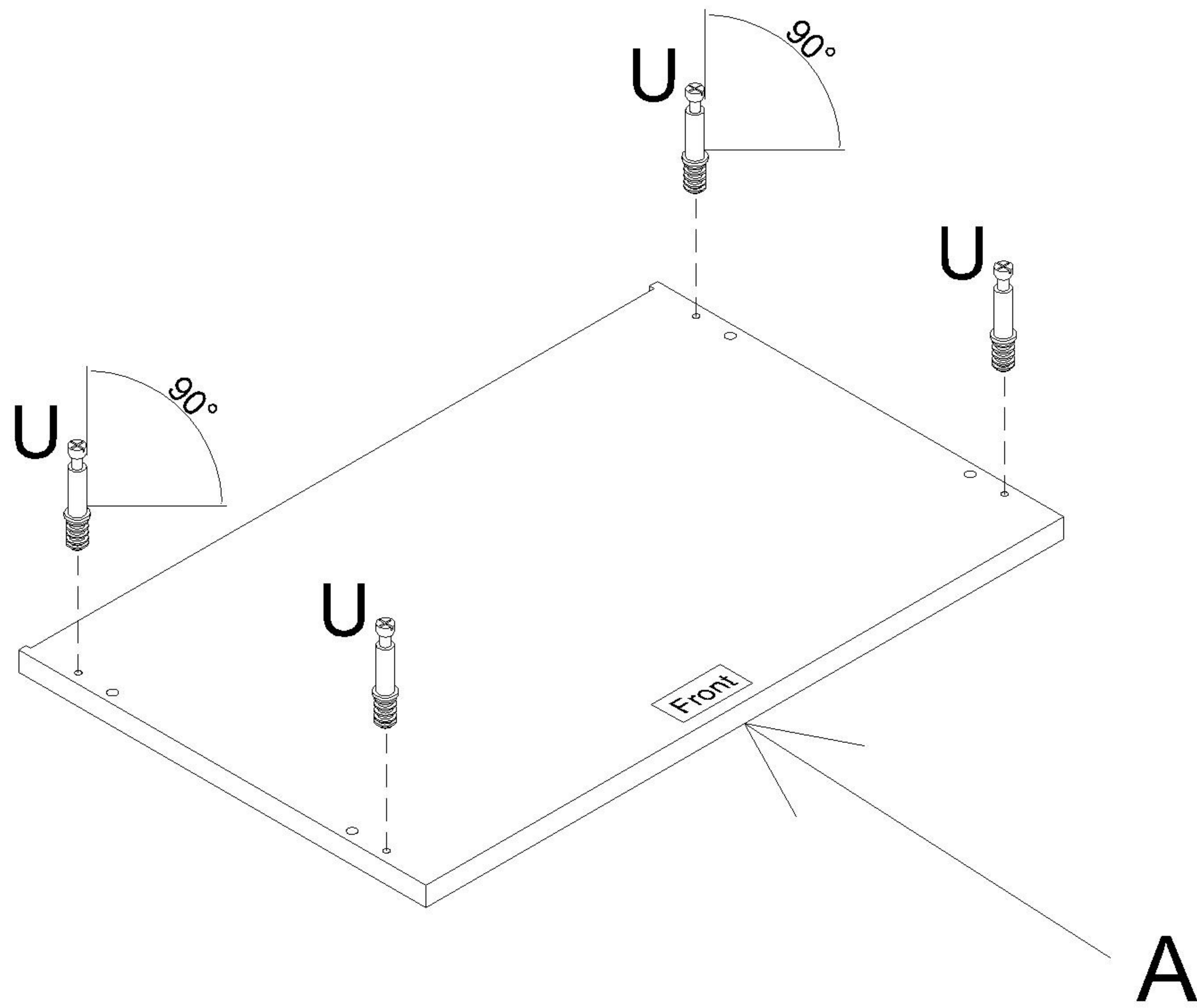


60pcs



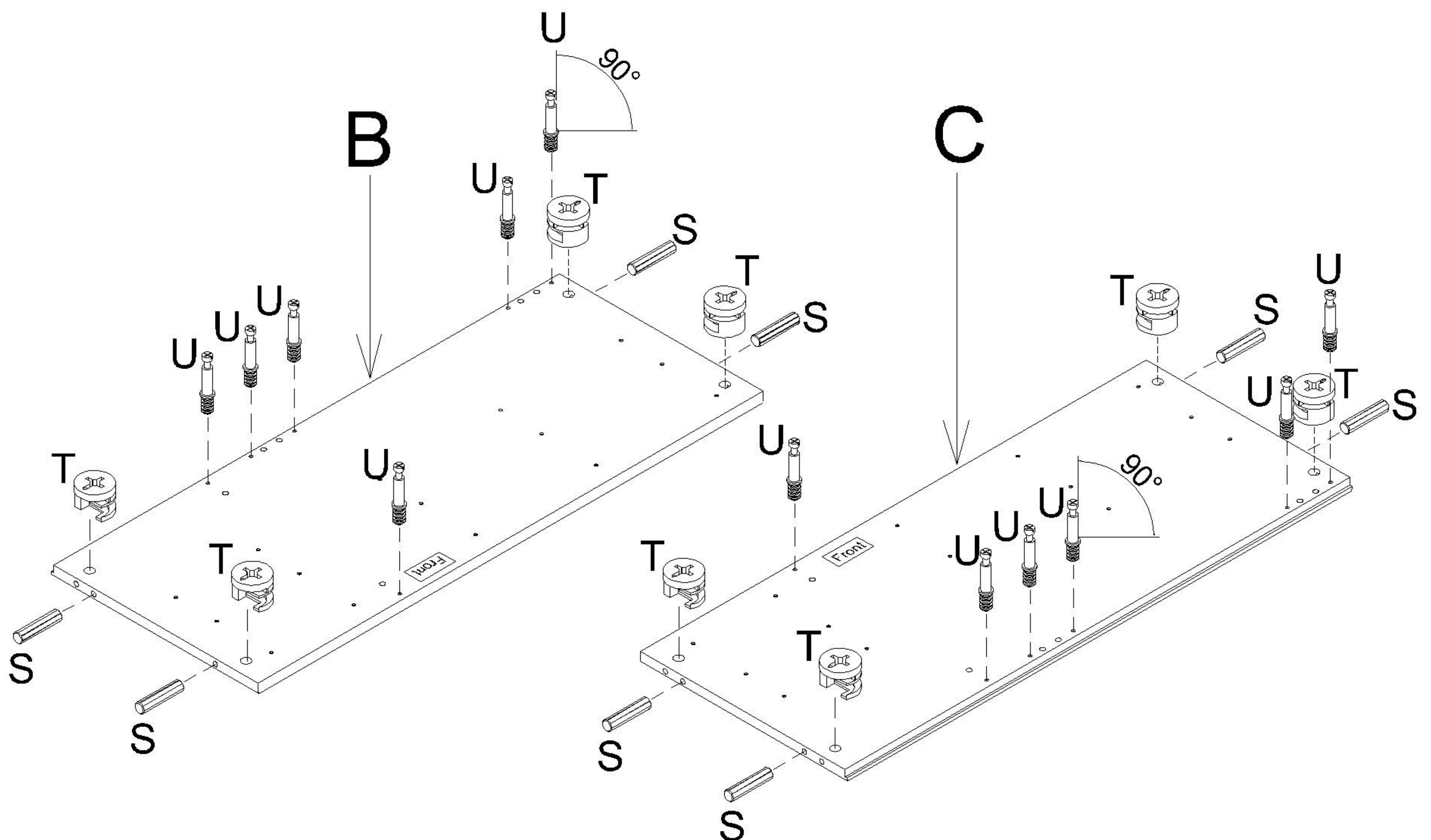
These pages list all the contents included in the box. Please take the time to identify the hardware as well as the individual components to this product. As you unpack and prepare for assembly, place the contents on a carpeted or padded area to protect them from damage.

1 Attach Cam Bolt (U) to Top Panel (A).



2 Attach Dowel (S), Cam Lock (T) and Cam Bolt (U) to Left & Right Side Panel (B & C).

NOTE : - Make sure arrows on each Cam Lock (T) points towards nearest edge with holes.

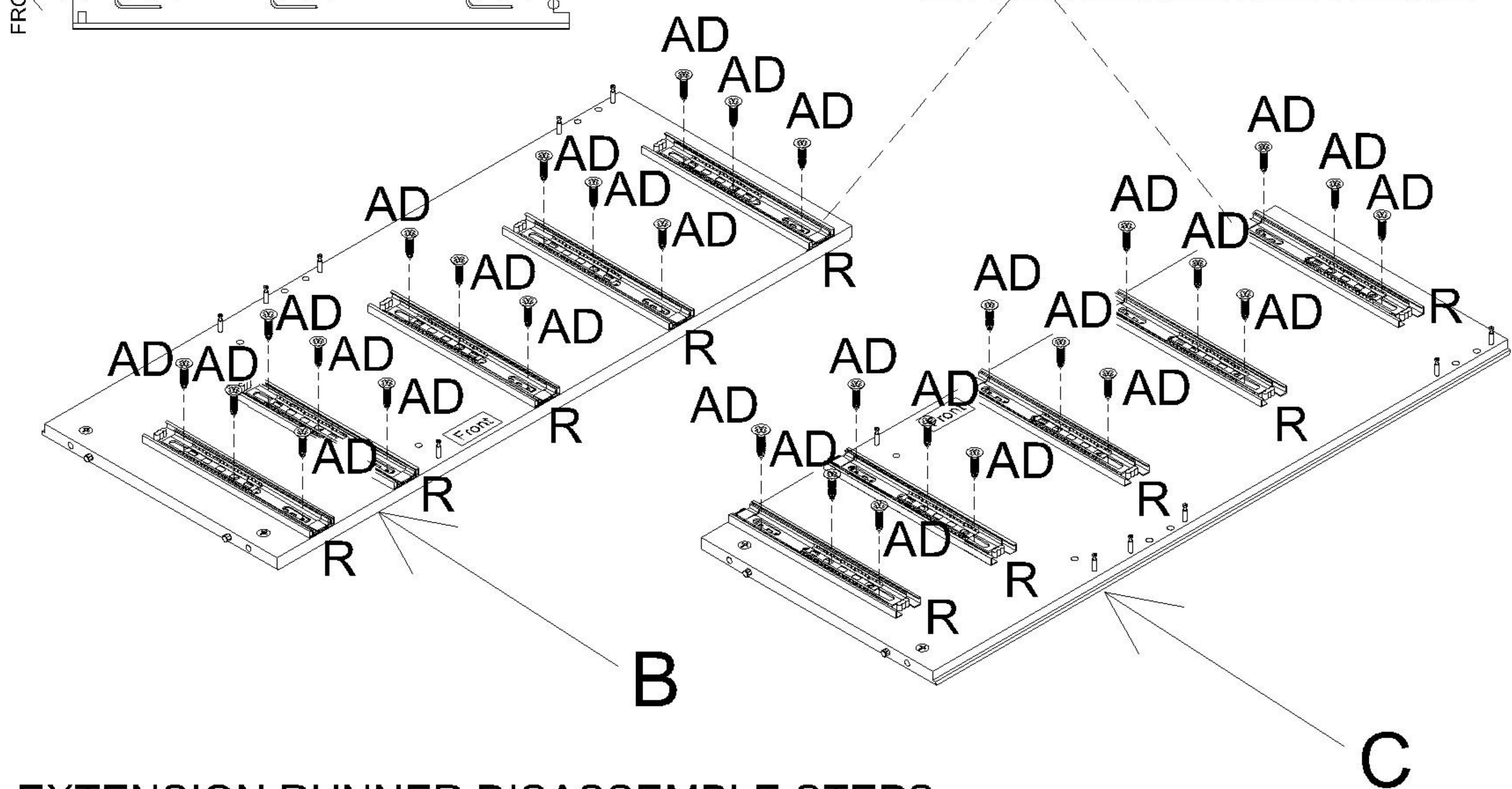
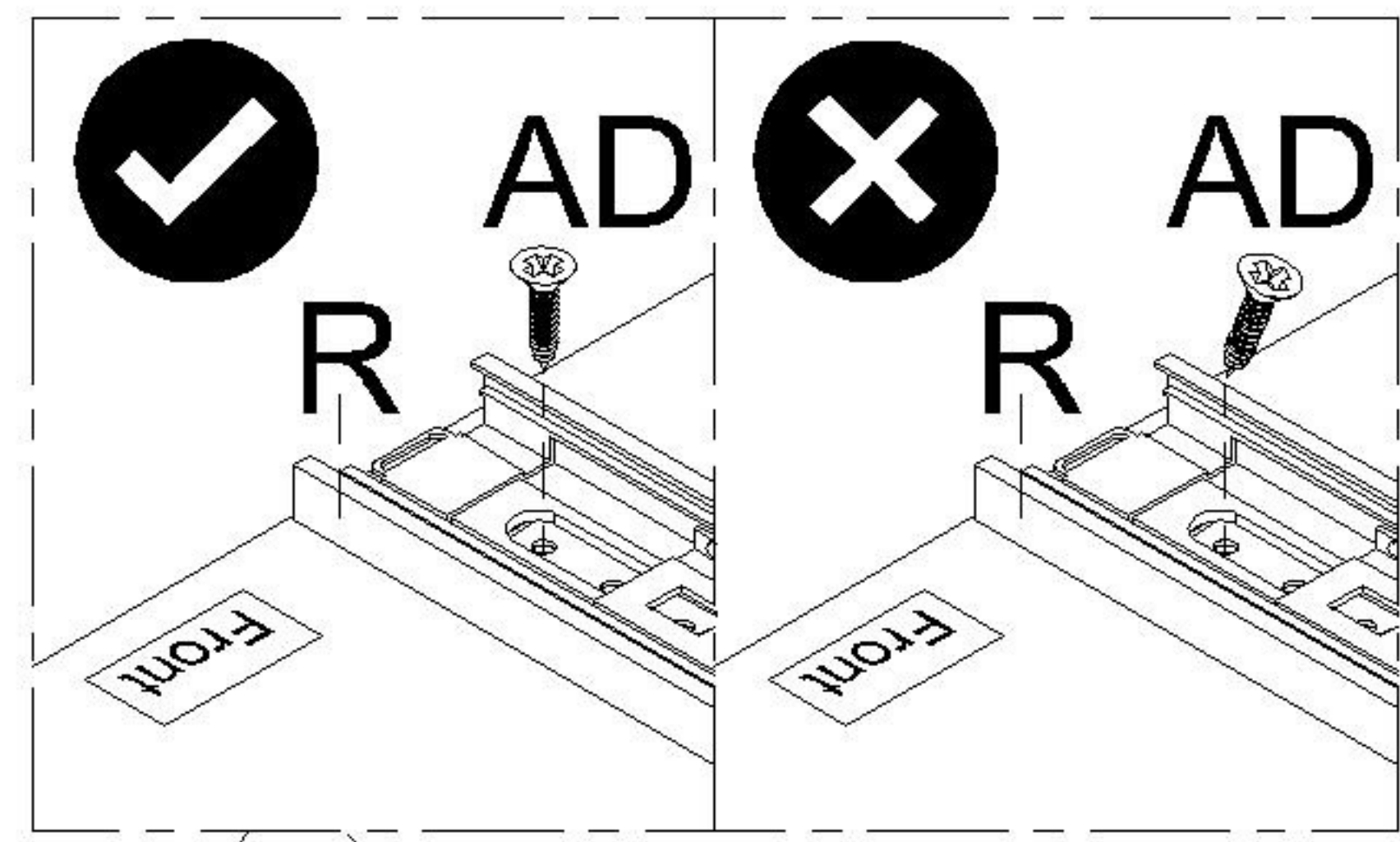
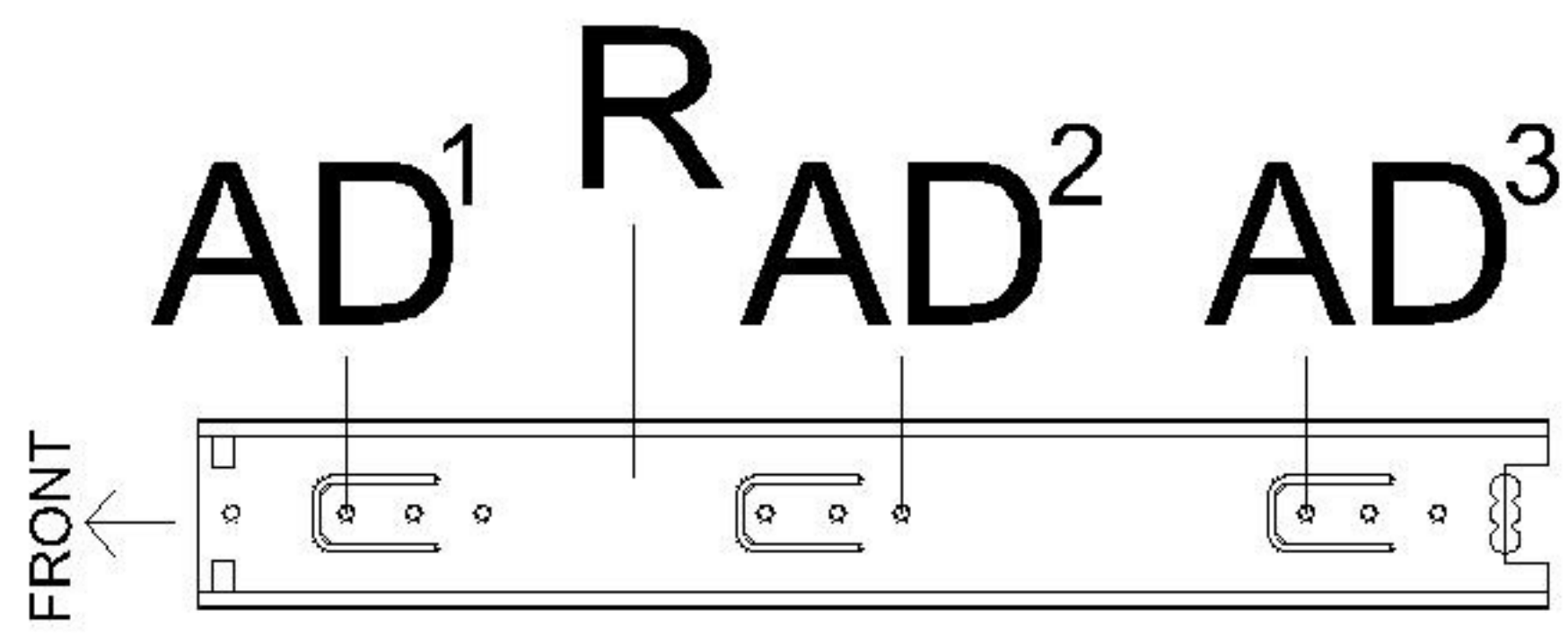


3

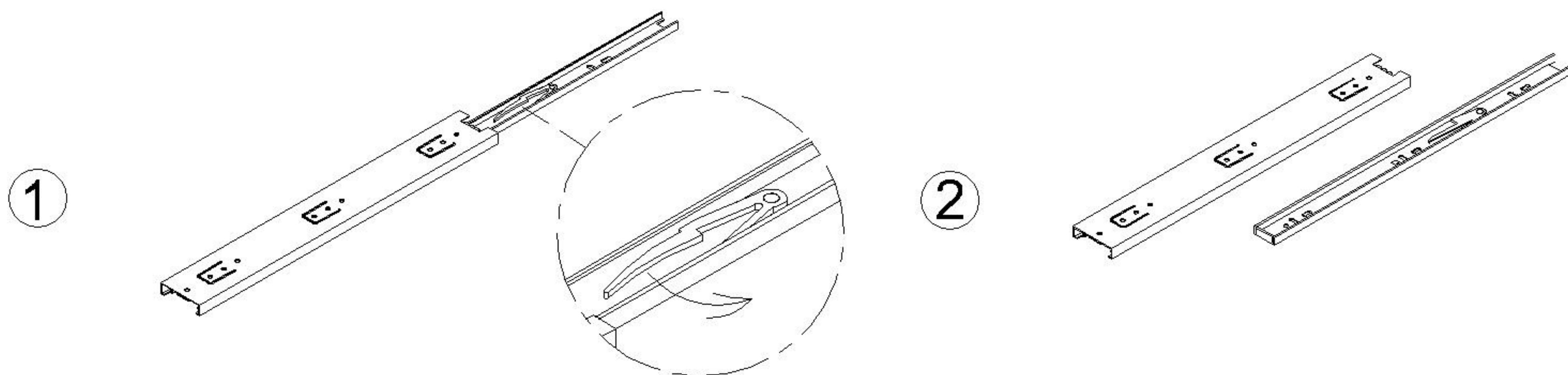
Attach Runner (R) to Left & Right Side Panel (B & C) and secure with Screw (AD).

NOTE : - Do not over tighten the Screw (AD).

- Screw (AD) should be assembled from the front of the runner. Start from AD¹, AD² then AD³.
- Make sure the screws are installed vertically without slant to ensure screw sits properly in the hole.



EXTENSION RUNNER DISASSEMBLE STEPS:

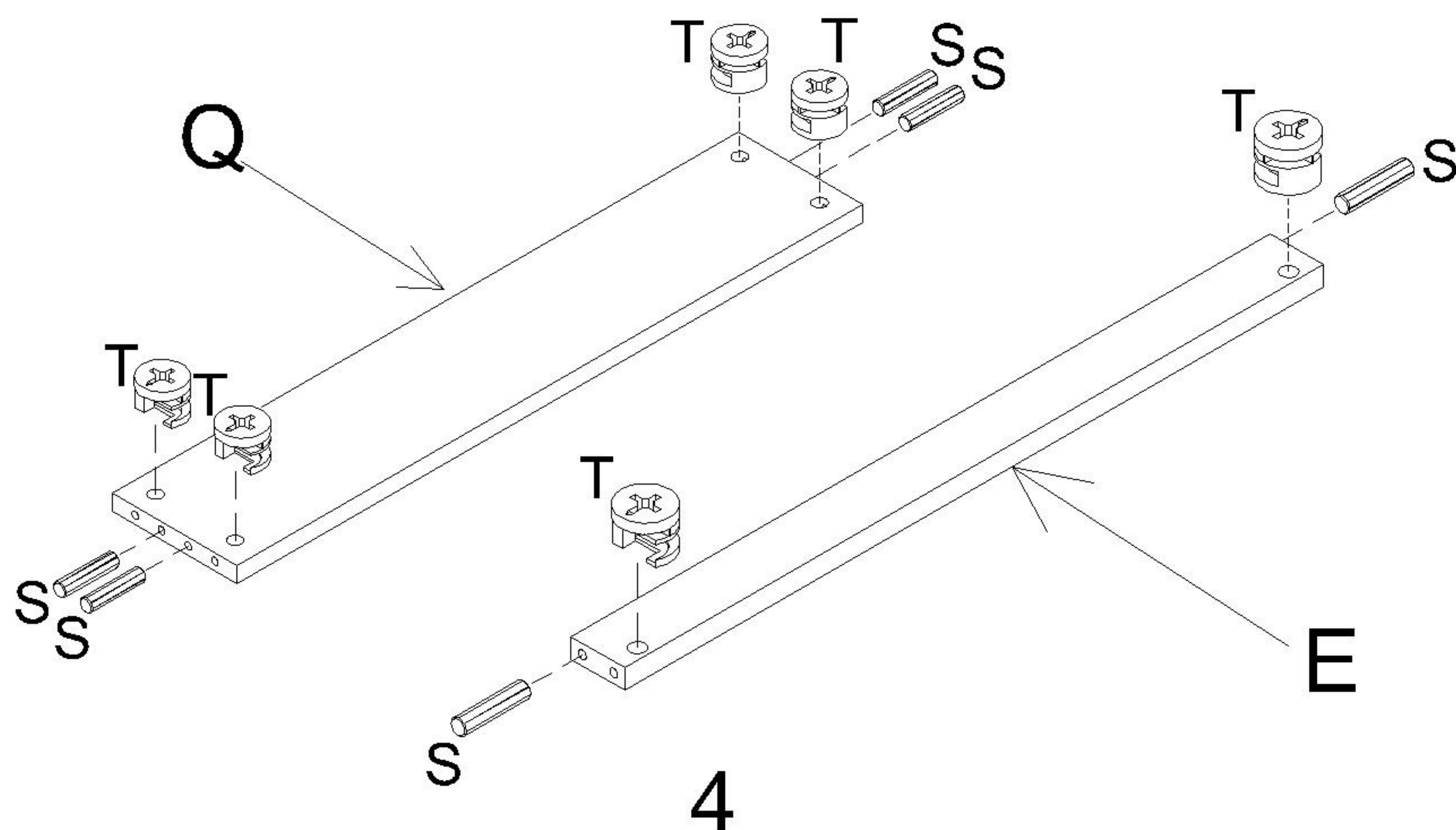


Disassemble the Runner (R) to 2 parts. Fix 1 part on the Left & Right Side Panel (B & C) and fix the other part on the Left & Right Small Drawer Side (I & L) and Left & Right Big Drawer Side (N & P).

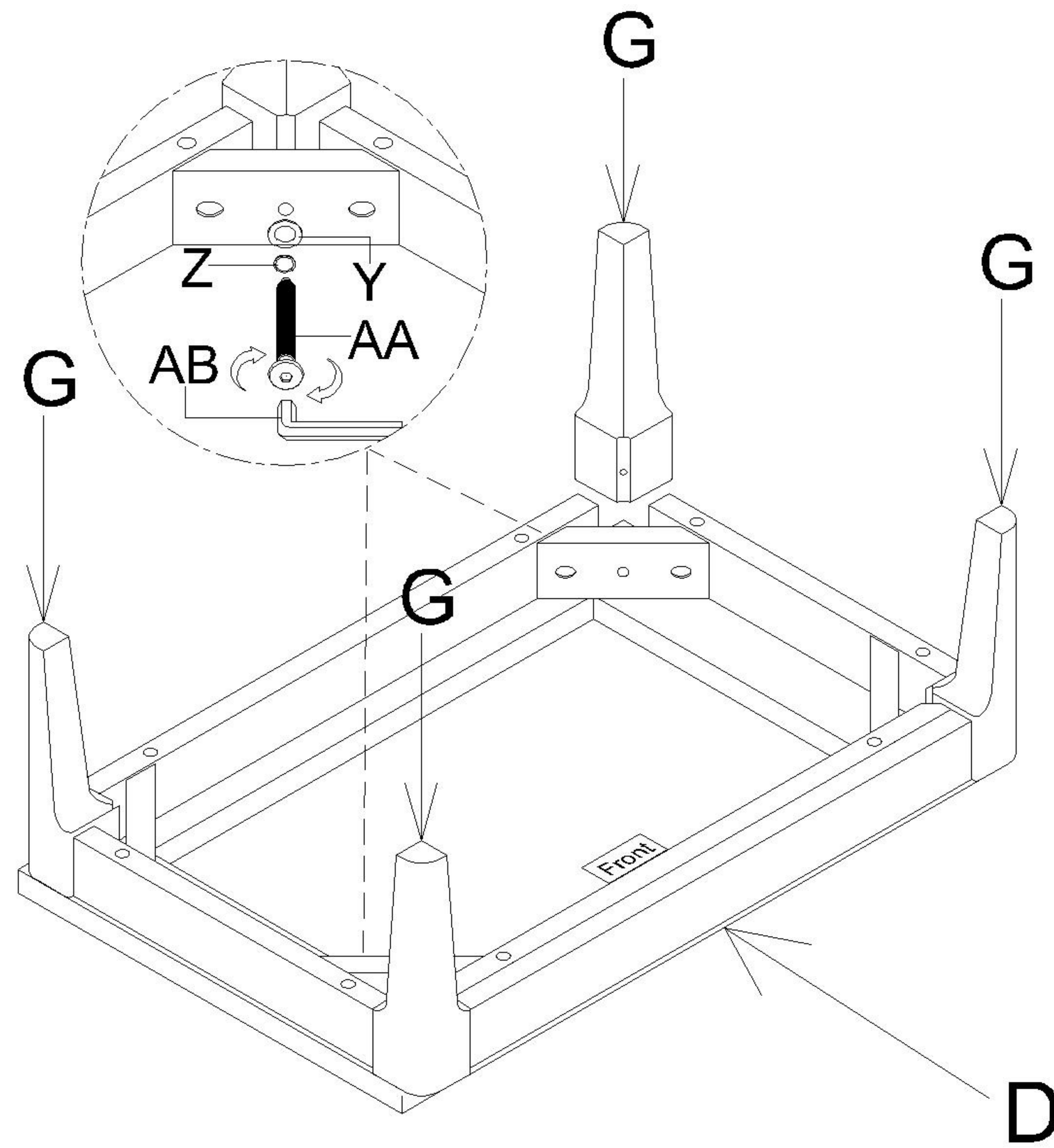
4

Attach Dowel (S) and Cam Lock (T) to Center Bar (E) and Back Panel (Q).

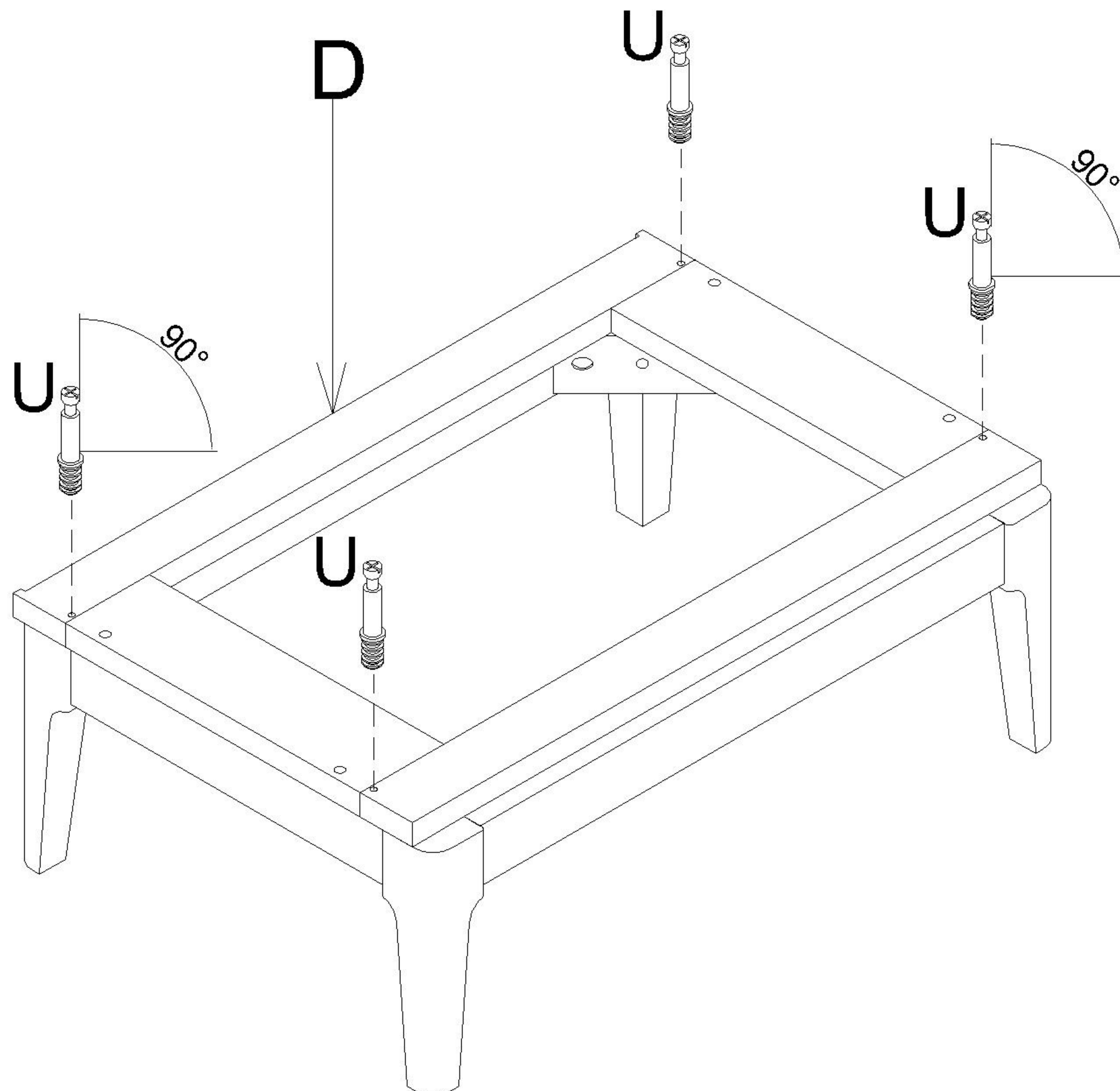
NOTE : - Make sure arrows on each Cam Lock (T) points towards nearest edge with holes.



- 5** Attach Post (G) to Bottom Frame (D) and secure with Flat Washer (Y), Spring Washer (Z) and JCBC Screw (AA) and tighten with Allen Key (AB).

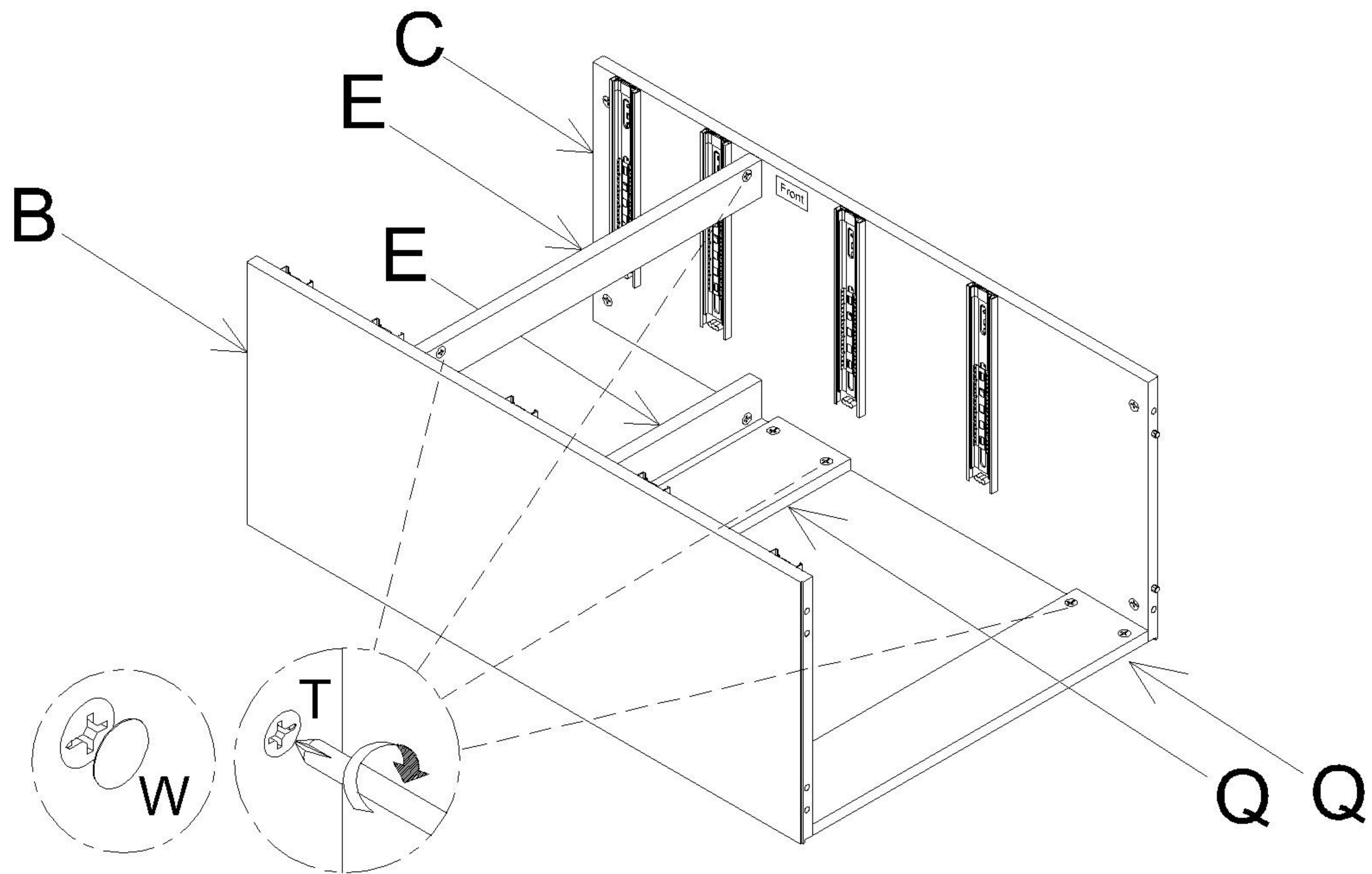


- 6** Turn over Bottom Frame (D). Attach Cam Bolt (U) to Bottom Frame (D).



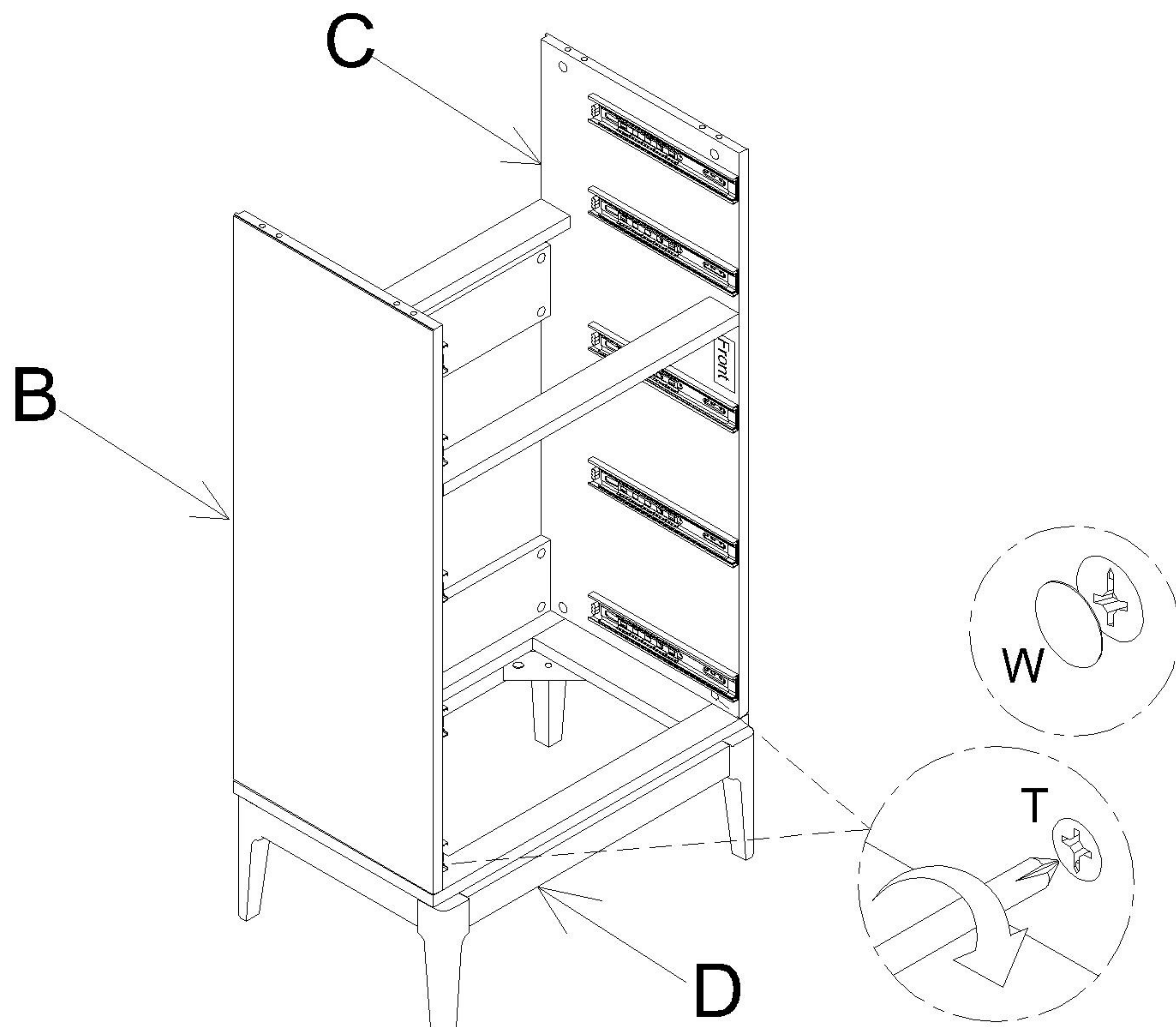
7 Attach Center Bar (E) and Back Panel (Q) to Left & Right Side Panel (B & C) and secure with the Cam Lock (T) attached in the Step 4. Cover Cam Lock (T) with Cam Lock Cover (W).

NOTE : - Do not over tighten the Cam Lock (T).



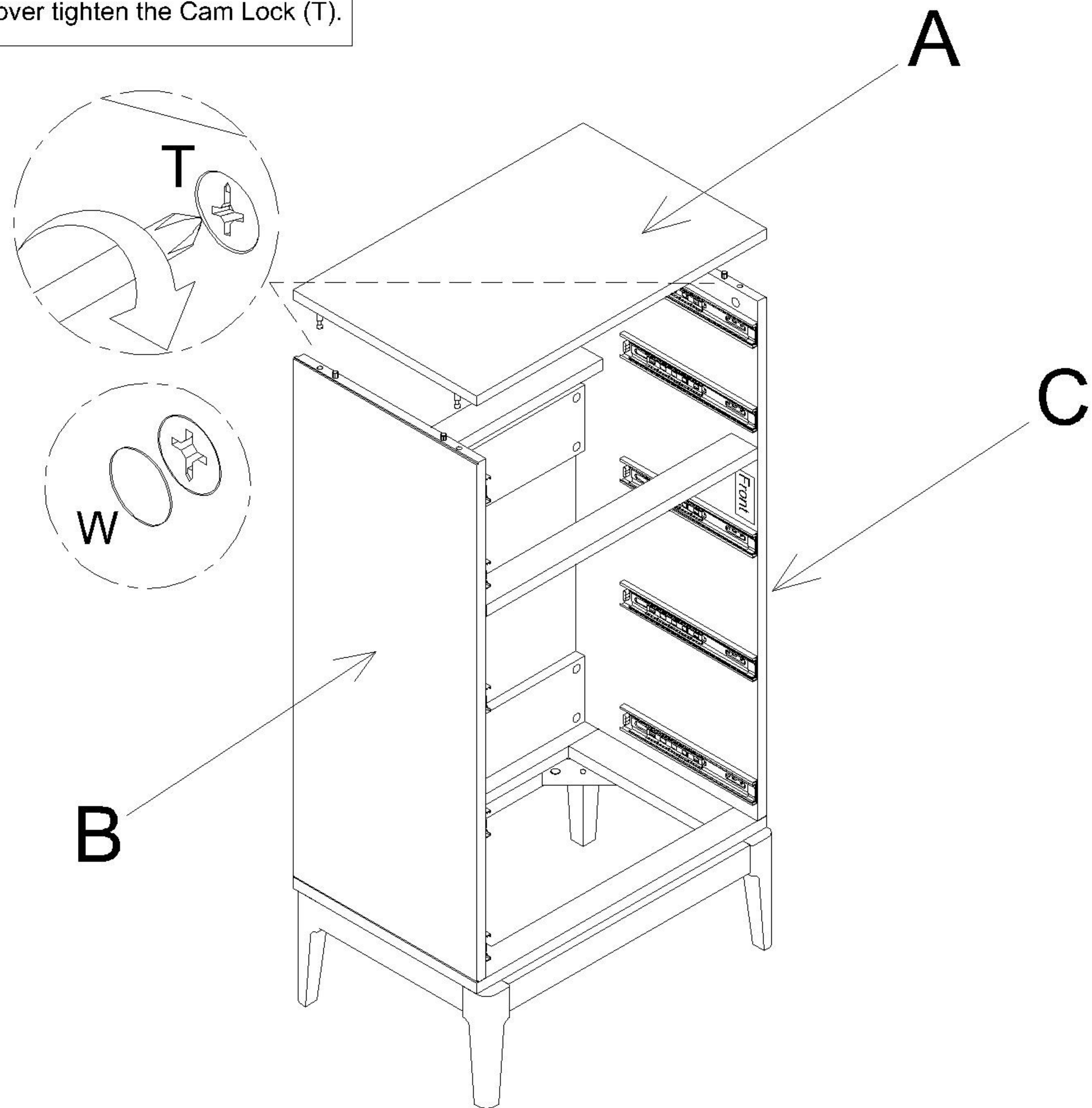
8 Attach Left & Right Side Panel (B & C) to Bottom Frame (D) and secure with the Cam Lock (T) attached in the Step 2. Cover Cam Lock (T) with Cam Lock Cover (W).

NOTE : - Do not over tighten the Cam Lock (T).



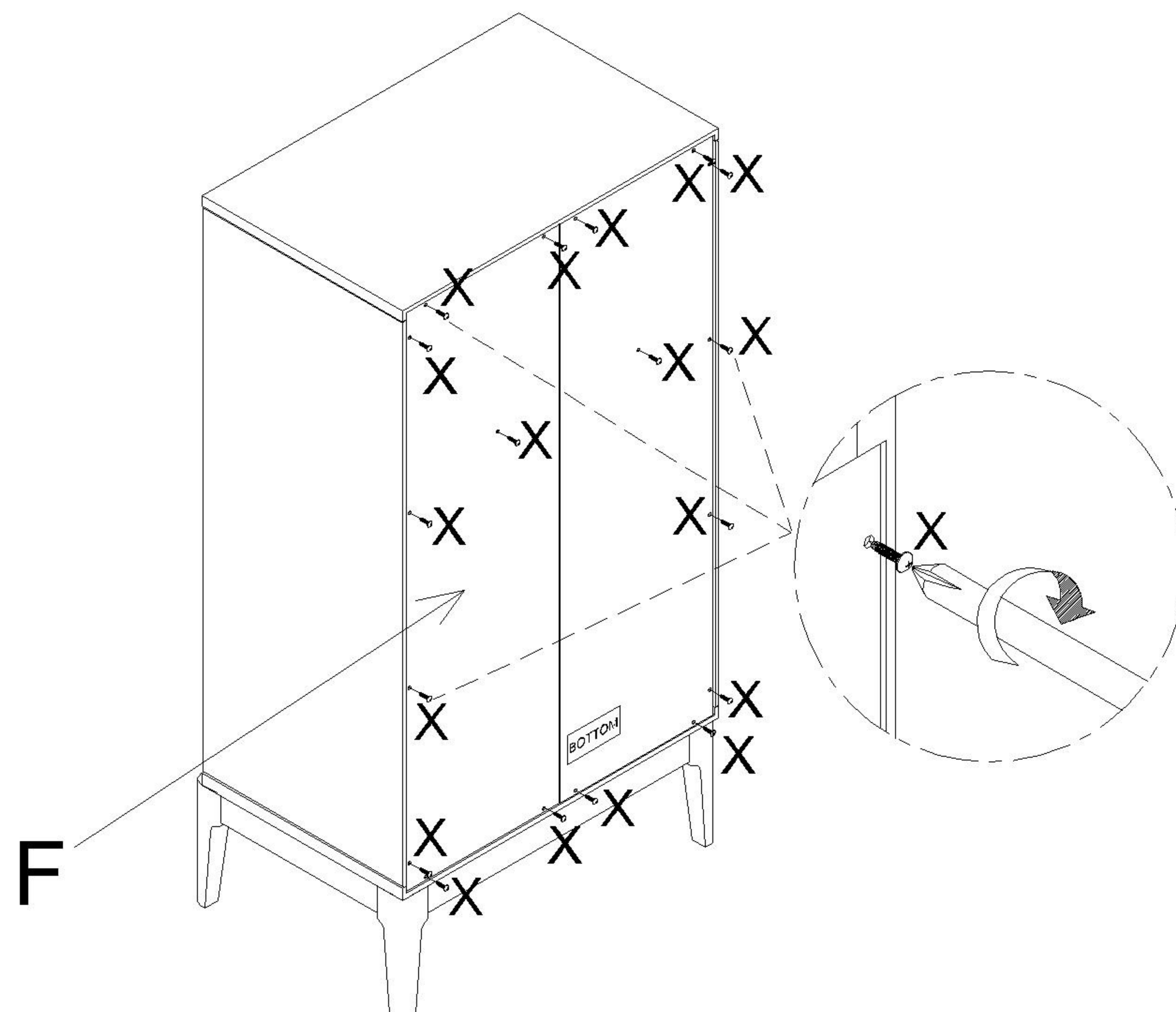
9 Attach Top Panel (A) to Left & Right Side Panel (B & C) and secure with Cam Lock (T) attached in the Step 2. Cover Cam Lock (T) with Cam Lock Cover (W).

NOTE : - Do not over tighten the Cam Lock (T).



10 Attach Back Plywood (F) to assembled unit and secure with Panhead Screw (X).

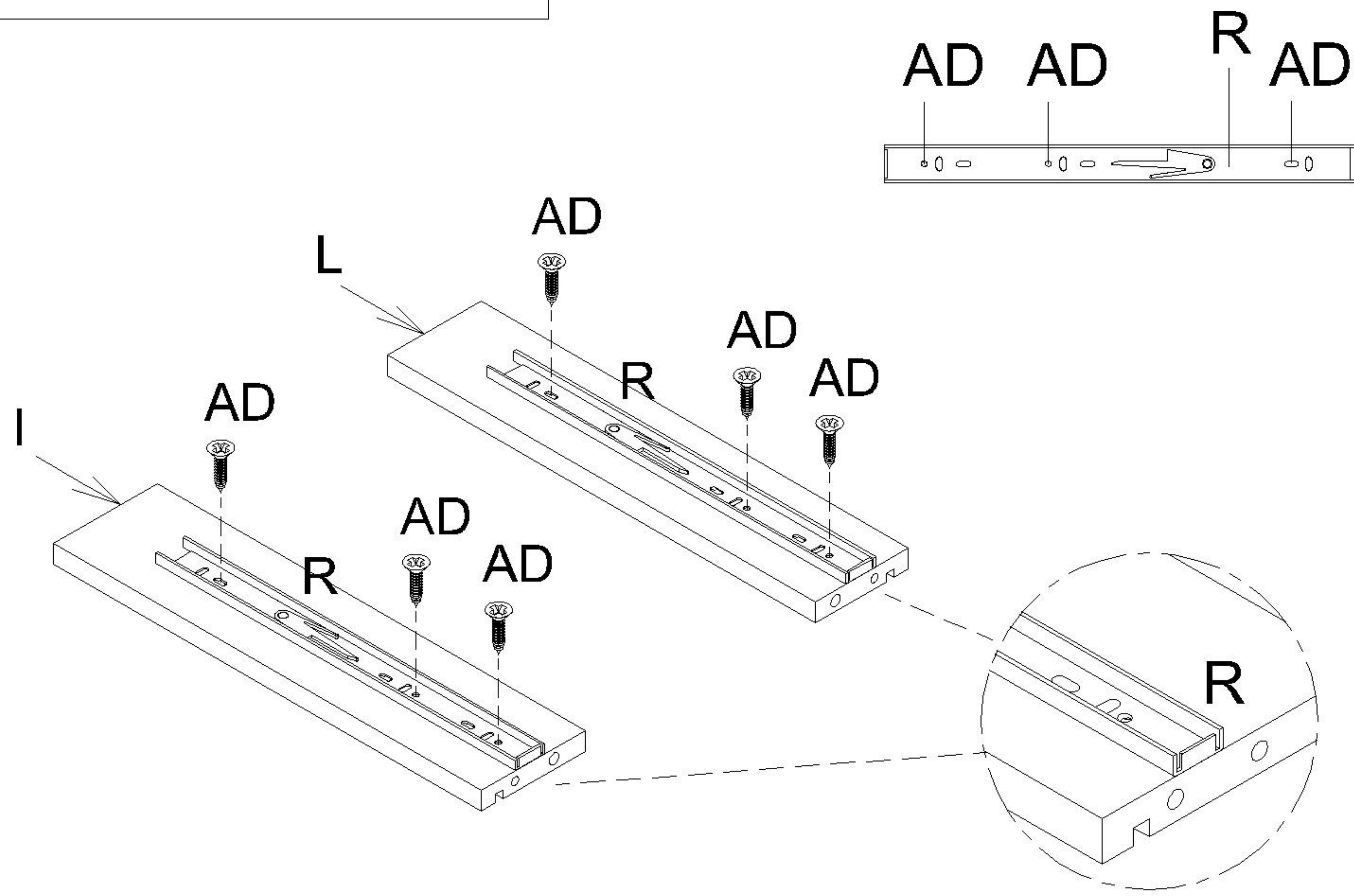
NOTE : - Do not over tighten the Panhead Screw (X).



11

Attach Runner (R) to Left & Right Small Drawer Side (I & L) and secure with Screw (AD).

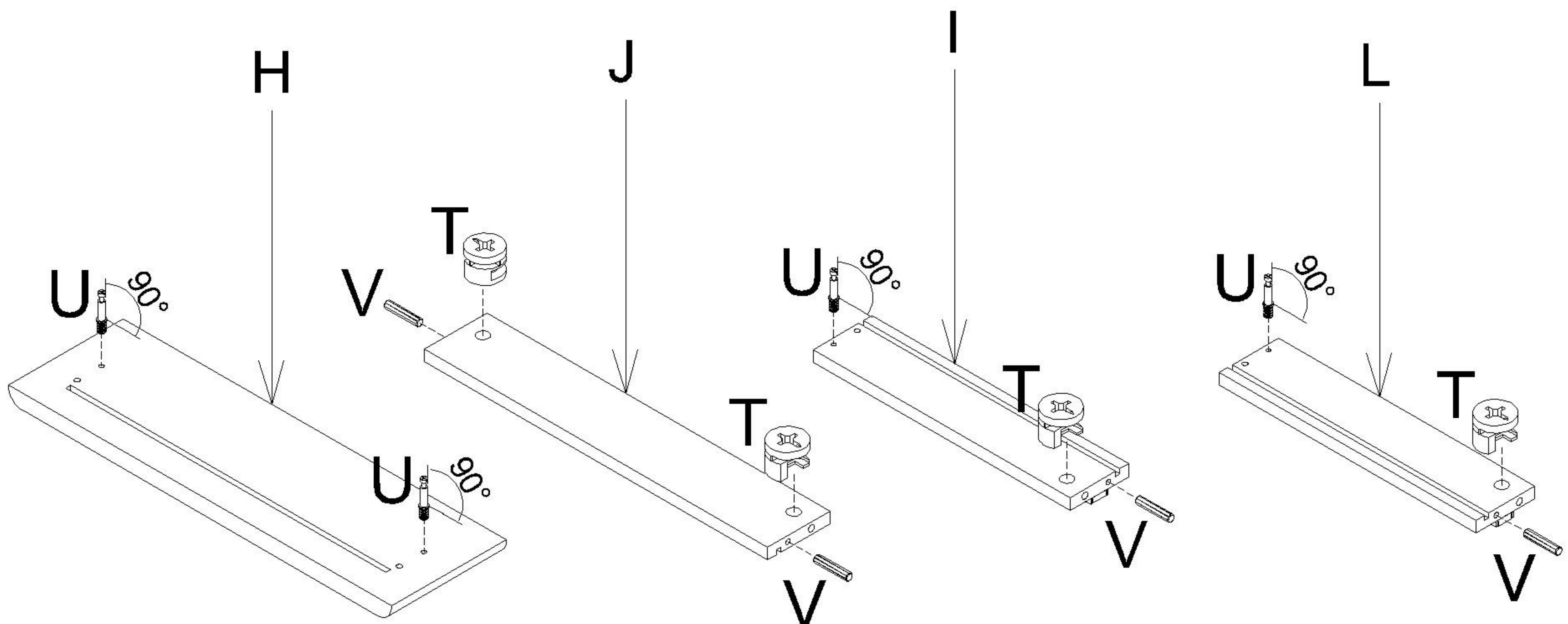
NOTE : - Do not over tighten the Screw (AD).



12

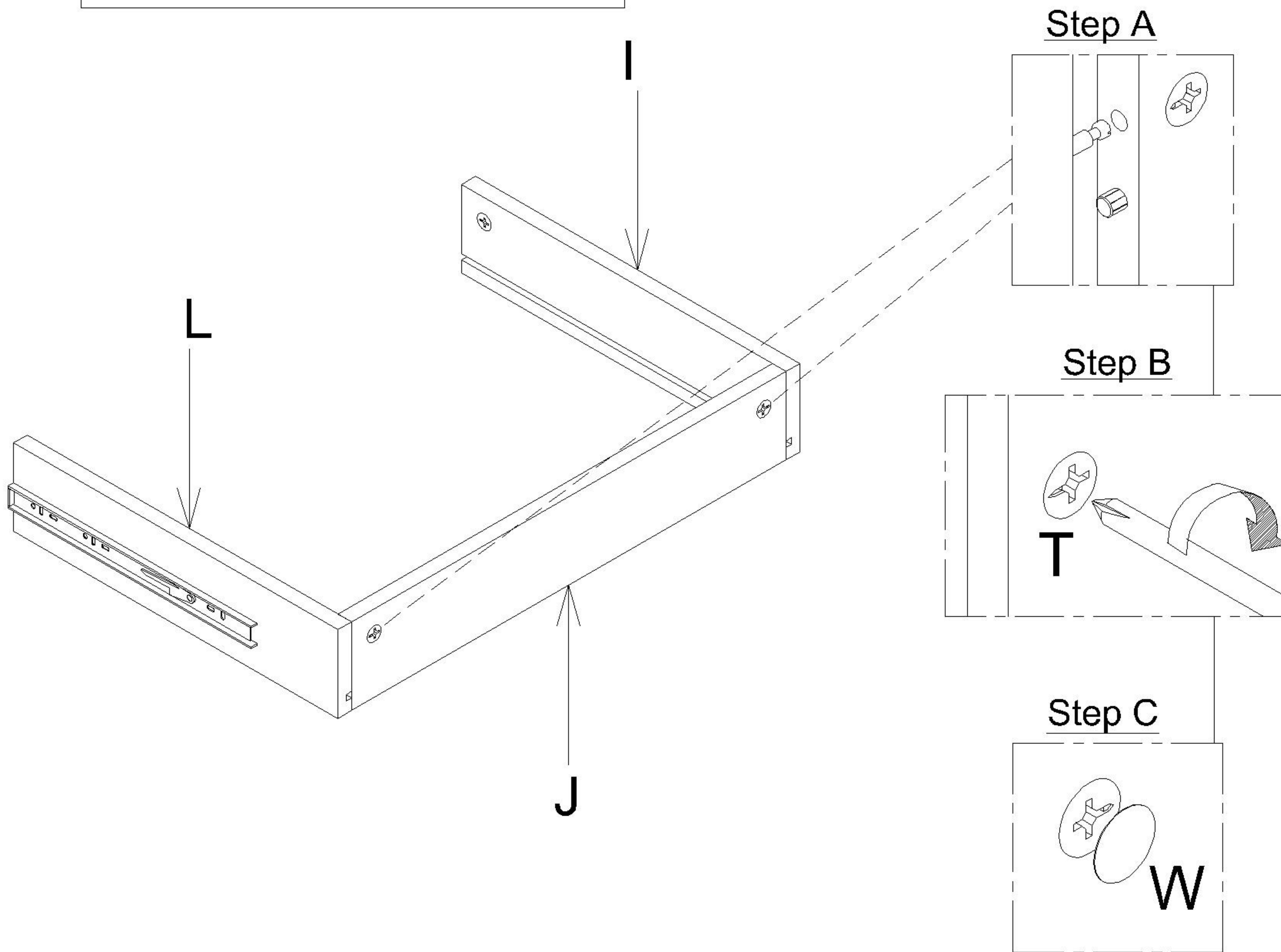
Flip over Left & Right Small Drawer Side (I & L). Attach Dowel (V) and Cam Lock (T) to Left & Right Small Drawer Side (I & L) and Small Drawer Back (J). Attach Cam Bolt (U) to Left & Right Small Drawer Side (I & L) and Small Drawer Front (H).

NOTE : - Make sure arrows on each Cam Lock (T) points towards nearest edge with holes.



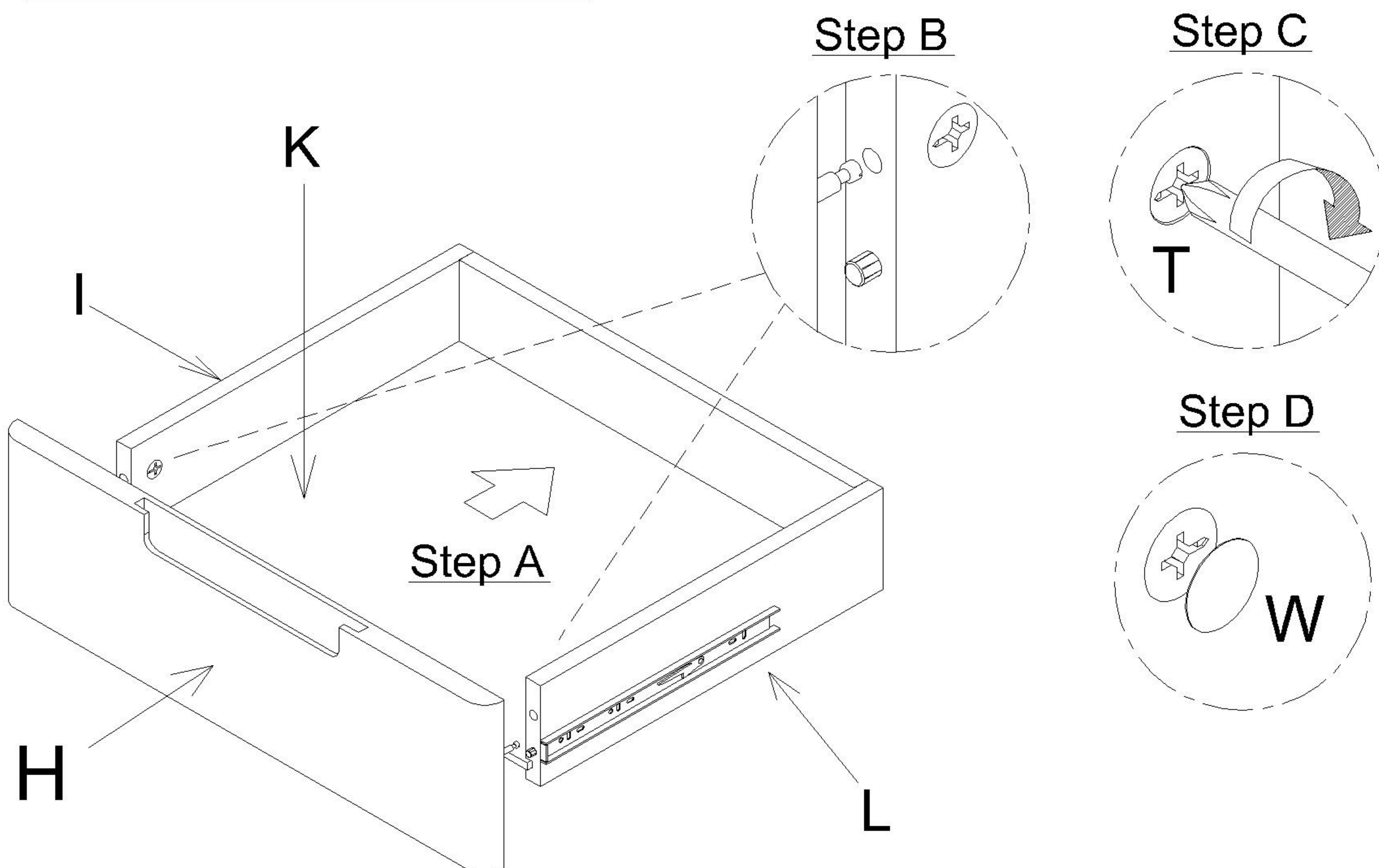
13 Attach Left & Right Small Drawer Side (I & L) to Small Drawer Back (J) and secure with the Cam Lock (T) attached in the Step 12. Cover Cam Lock (T) with Cam Lock Cover (W).

NOTE : - Do not over tighten the Cam Lock (T).



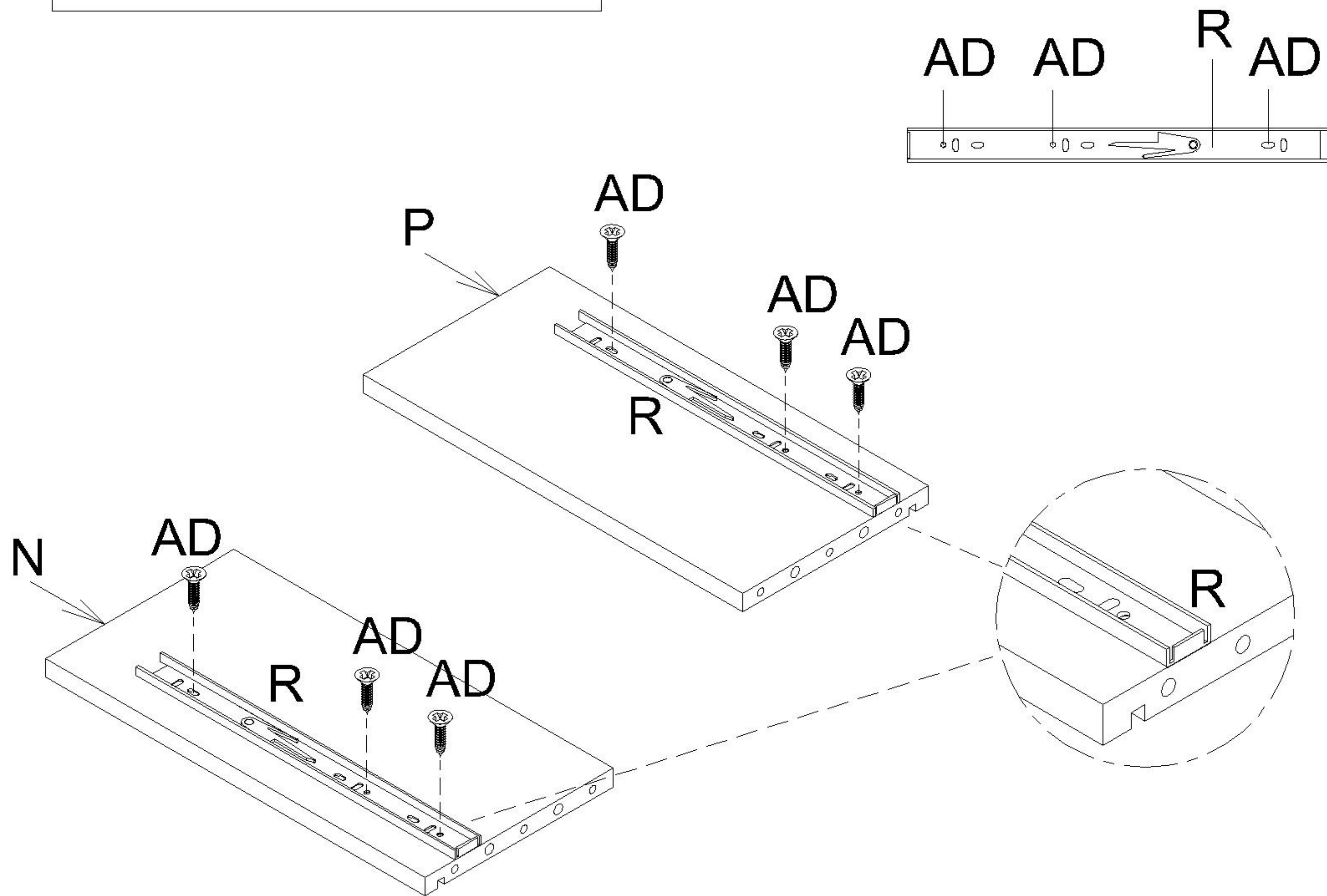
14 Slot Drawer Base (K) into corresponding grooves. Attach Small Drawer Front (H) to Drawer Box and secure with the Cam Lock (T) attached in the Step 12. Cover Cam Lock (T) with Cam Lock Cover (W).

NOTE : - Do not over tighten the Cam Lock (T).



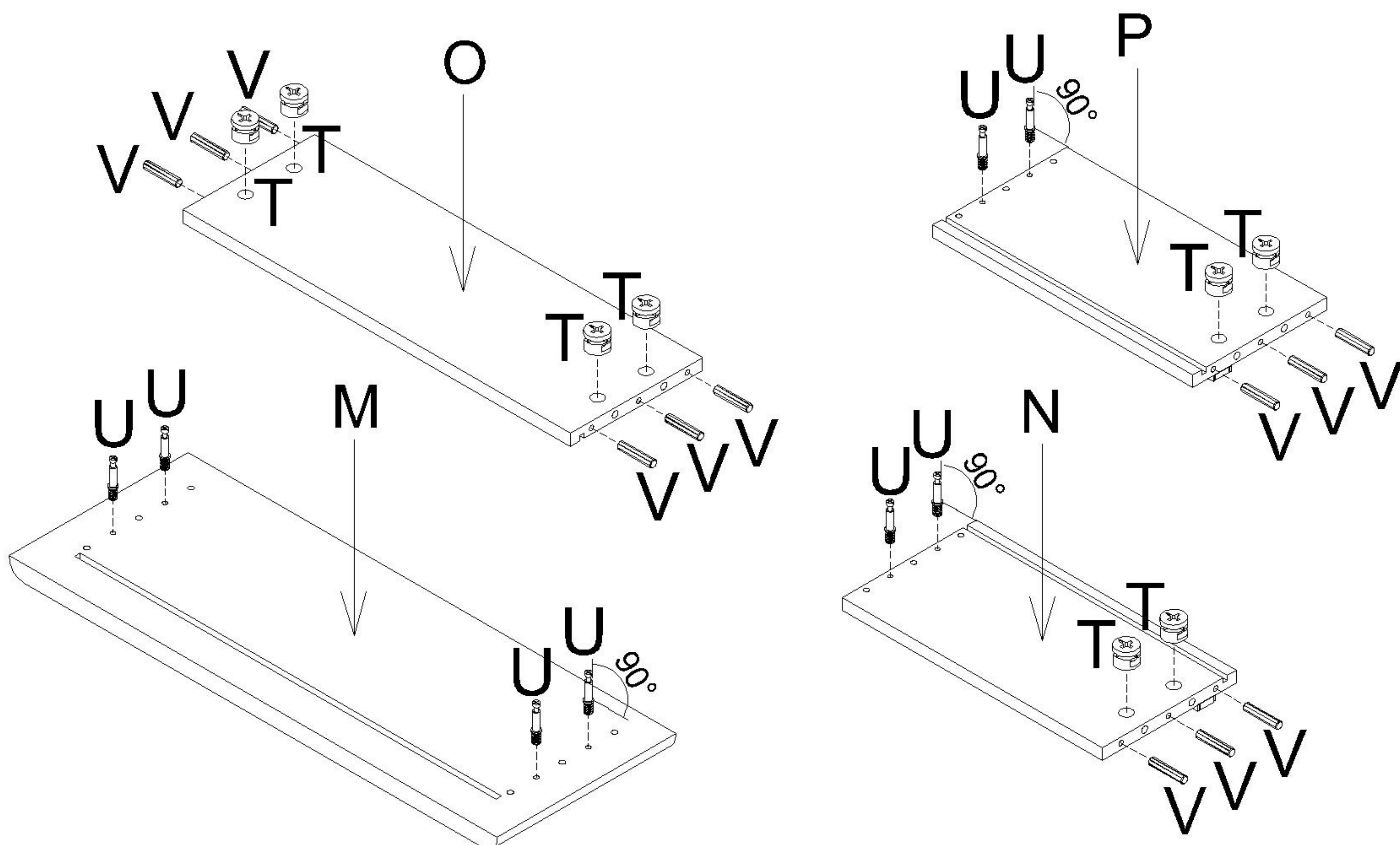
15 Attach Runner (R) to Left & Right Big Drawer Side (N & P) and secure with Screw (AD).

NOTE : - Do not over tighten the Screw (AD).



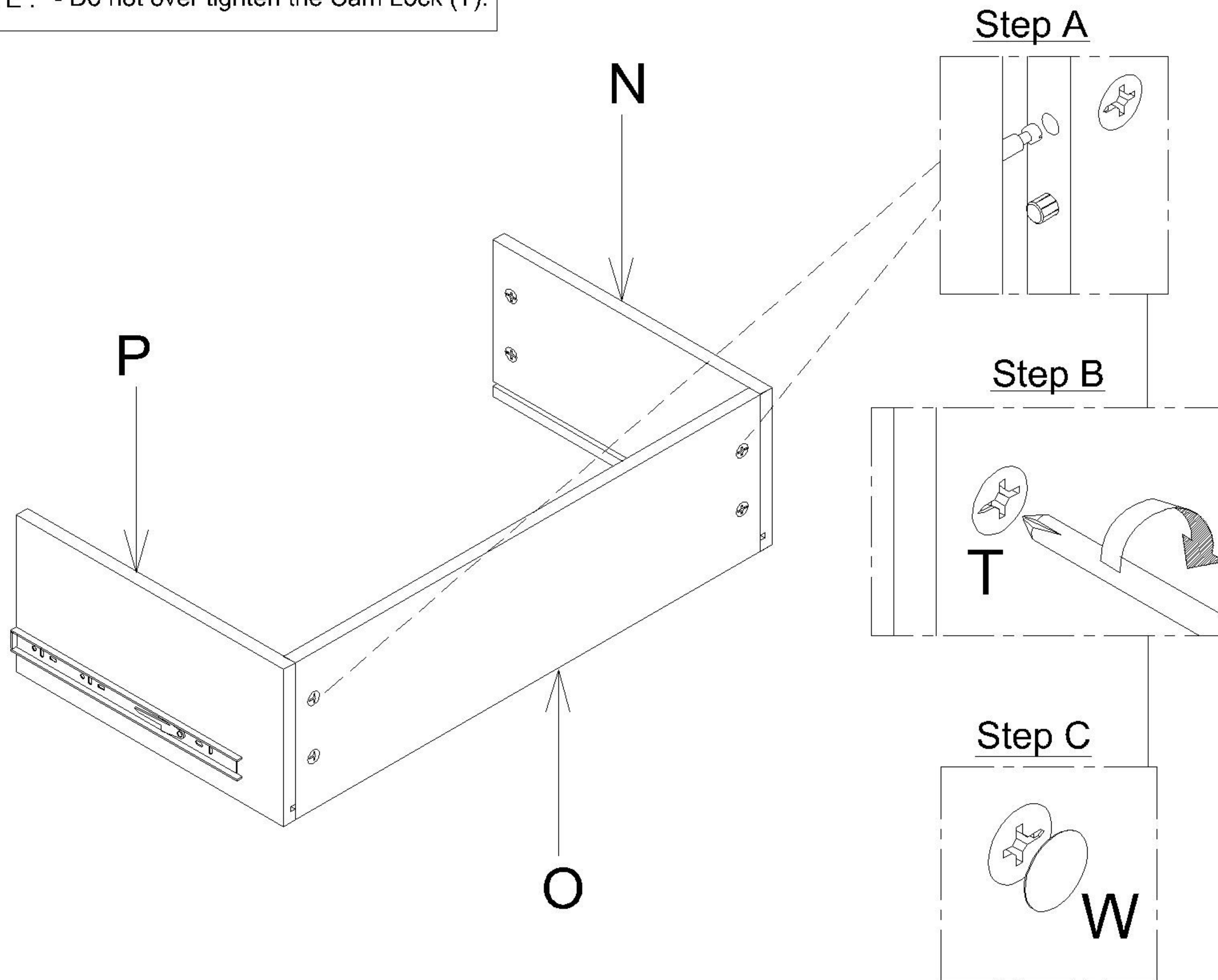
16 Flip over Left & Right Big Drawer Side (N & P). Attach Dowel (V) and Cam Lock (T) to Left & Right Big Drawer Side (N & P) and Big Drawer Back (O). Attach Cam Bolt (U) to Left & Right Big Drawer Side (N & P) and Big Drawer Front (M).

NOTE : - Make sure arrows on each Cam Lock (T) points towards nearest edge with holes.



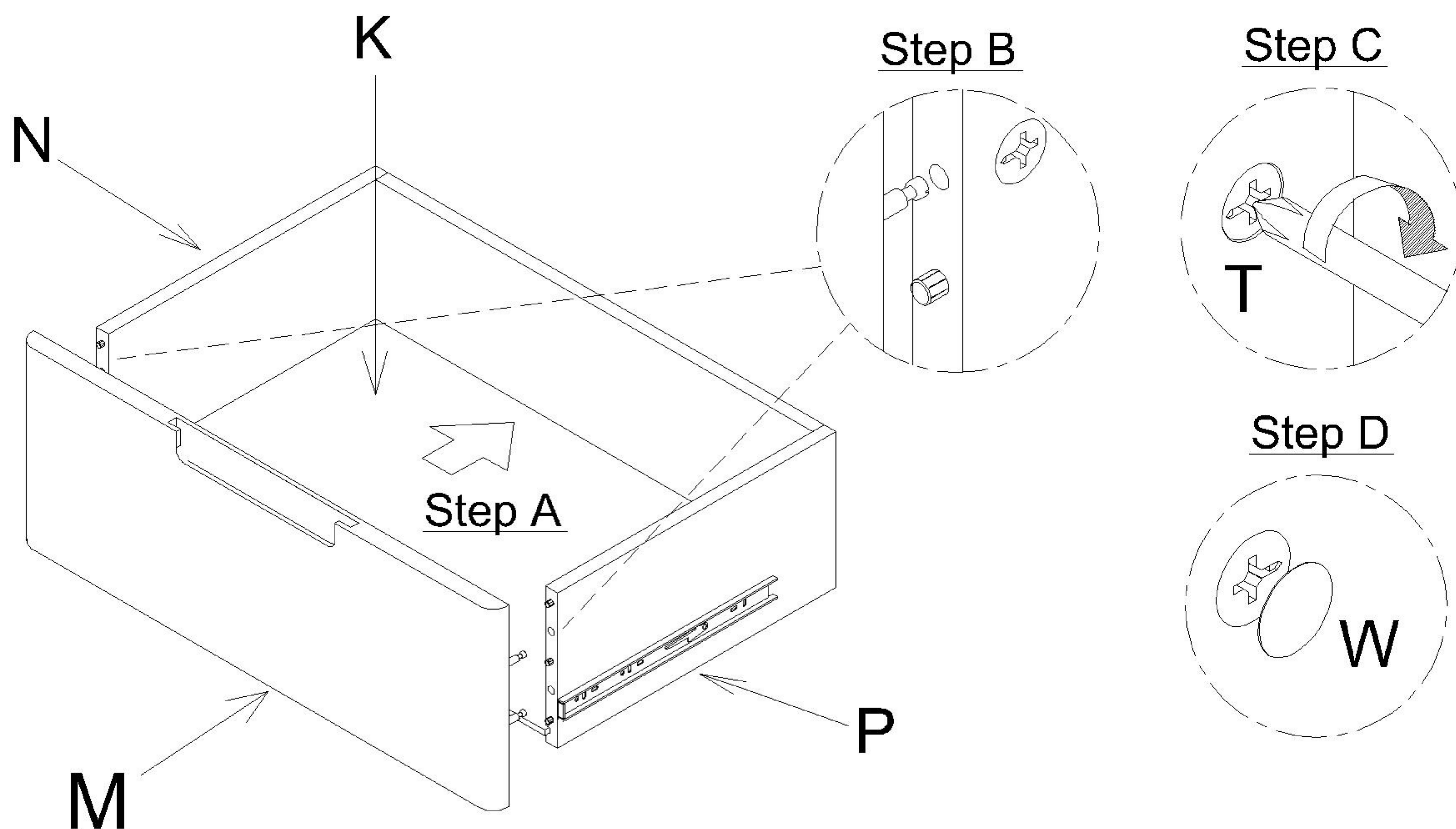
17 Attach Left & Right Big Drawer Side (N & P) to Big Drawer Back (O) and secure with the Cam Lock (T) attached in the Step 16. Cover Cam Lock (T) with Cam Lock Cover (W).

NOTE : - Do not over tighten the Cam Lock (T).

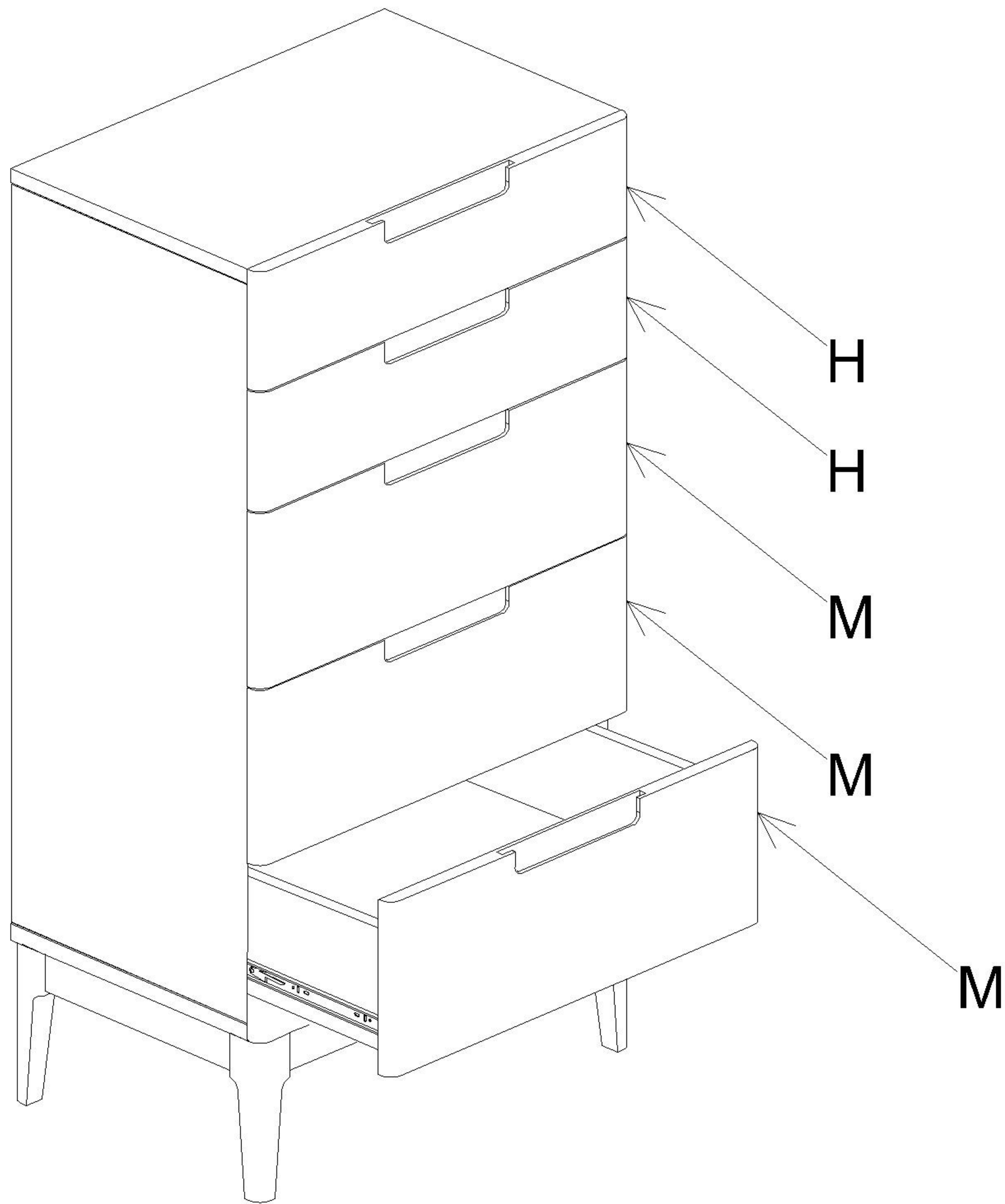


18 Slot Drawer Base (K) into corresponding grooves. Attach Big Drawer Front (M) to Drawer Box and secure with the Cam Lock (T) attached in the Step 16. Cover Cam Lock (T) with Cam Lock Cover (W).

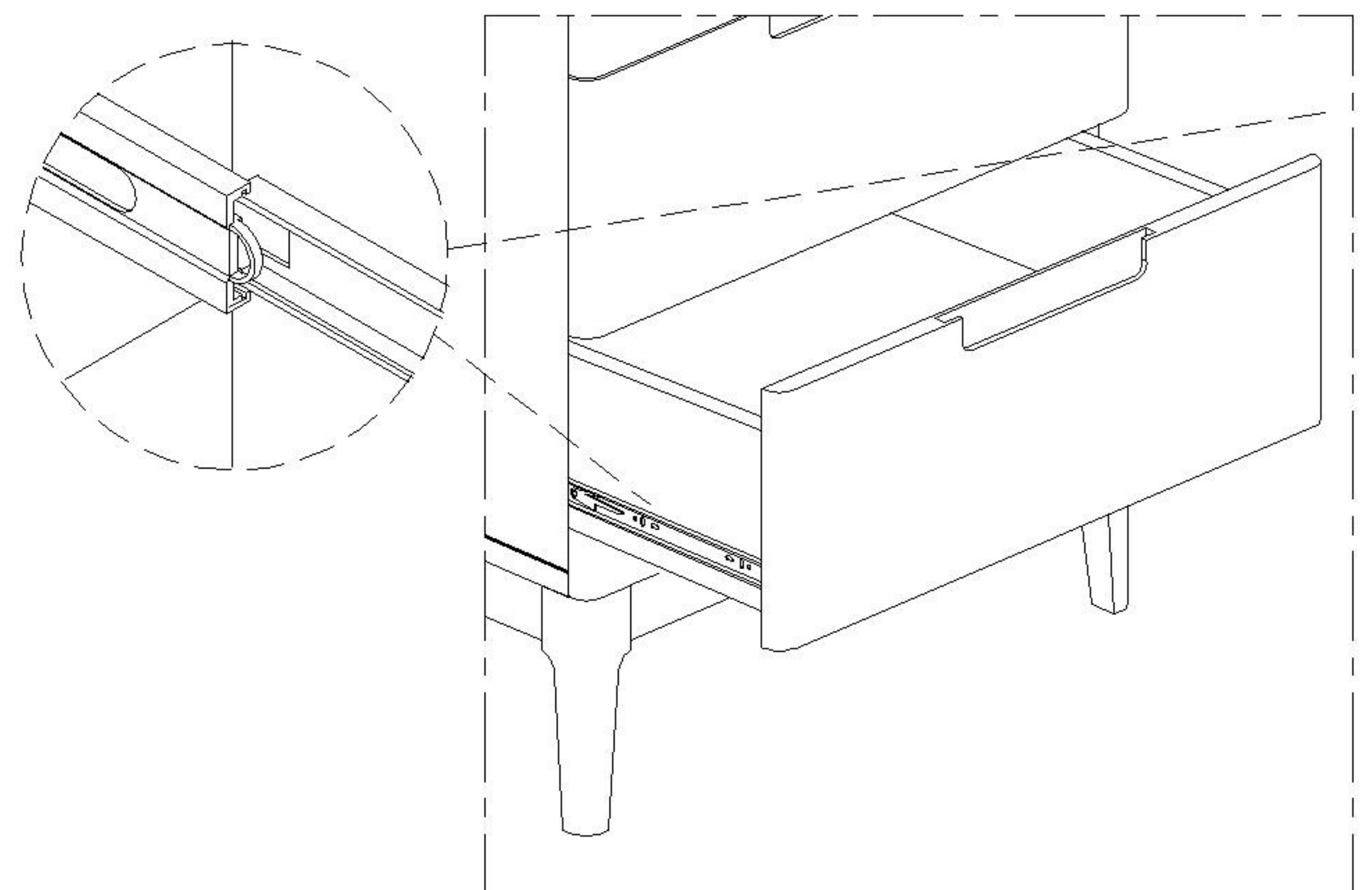
NOTE : - Do not over tighten the Cam Lock (T).



19 Slot Drawers into assembled unit.

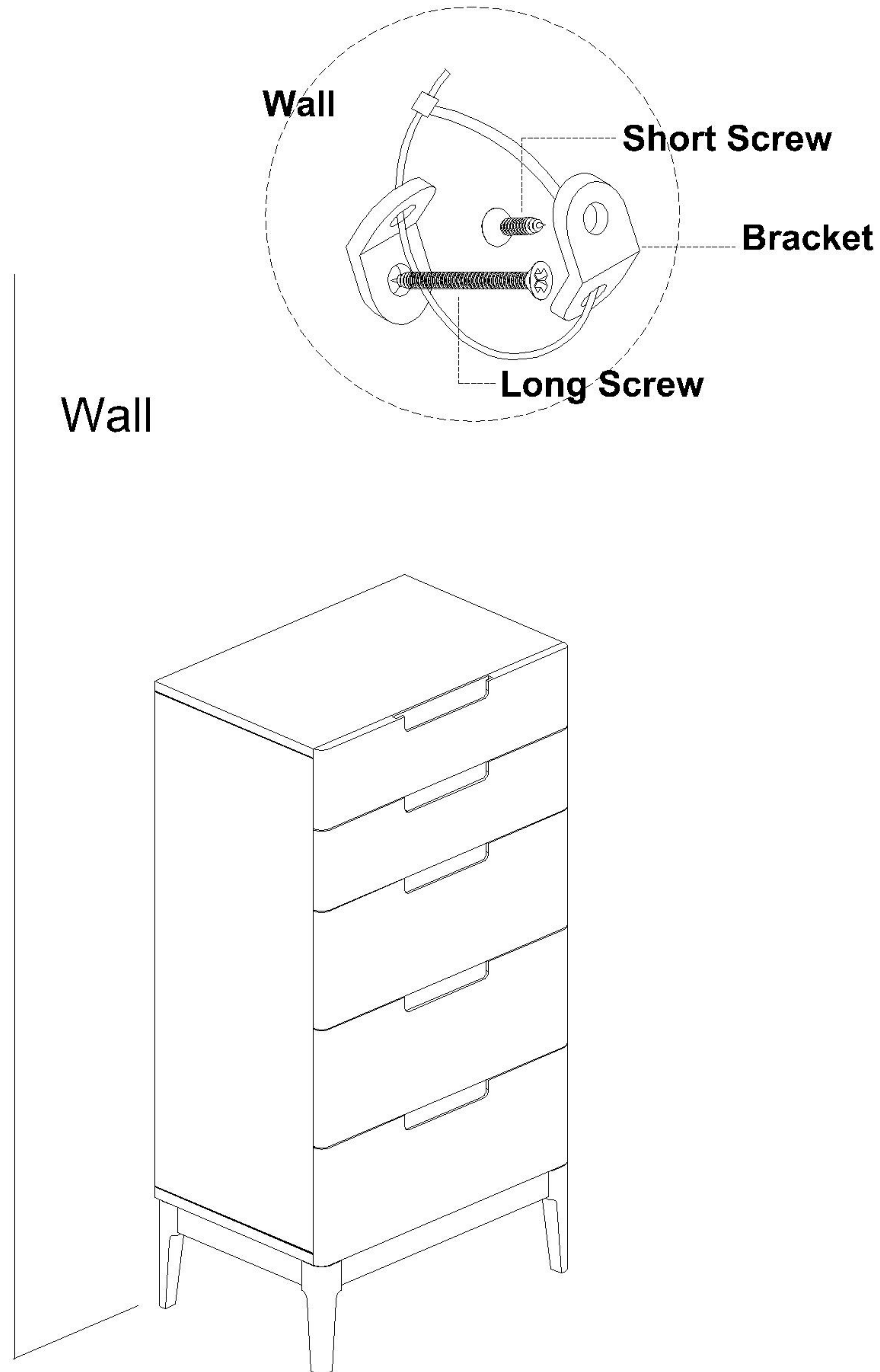


EXTENSION RUNNER ASSEMBLE STEPS:



NOTE : Align and pull/push the triggers on both sides of drawer box into the metal track on interior side of side panel.

20 Attach Anti-Tipping Kit (AC) to wall. Attach Bracket (vertically) to wall using the Long Screw provided. Attach Bracket (vertically) to furniture back (directly below top) with Short Screw. Place Bracket as close to center of furniture back as possible in relation to wall stud and the desired position in the room. Move furniture to its final position. Thread the strap through Bracket, and pull it tight.



Cleaning & Care

Treat surface with care. Surface is resistant to scratches but is not scratch resistant. Clean surfaces with a dry or damp soft cloth. Do not use abrasive cleaners. Hardware may loosen over time. Periodically check that all connections are tight.