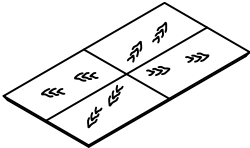
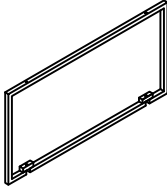
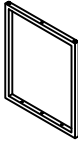

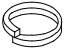


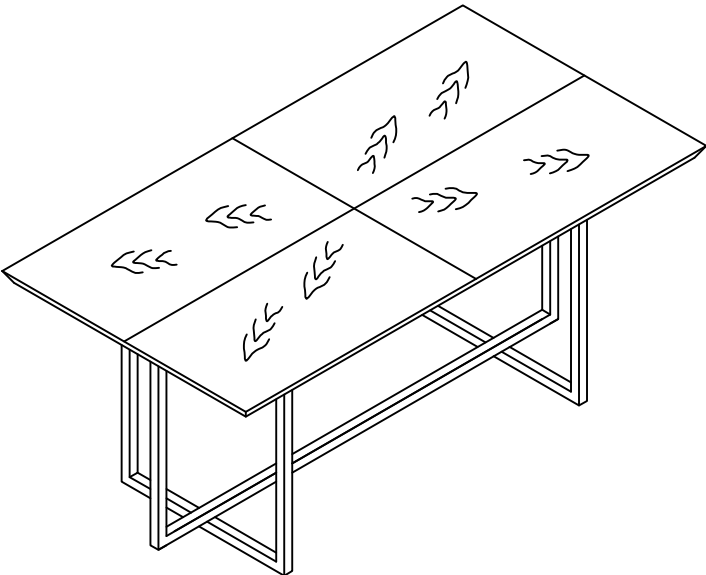


ASSEMBLY INSTRUCTION

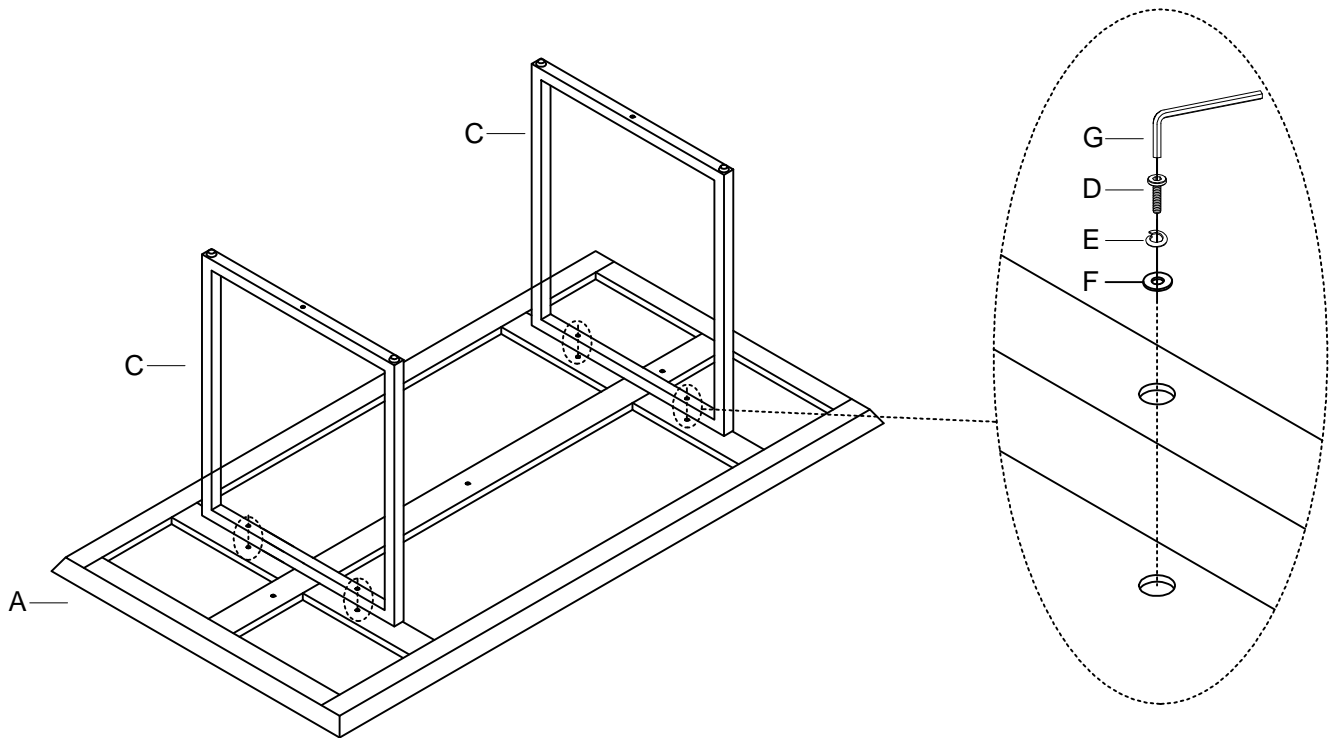
DINING TABLE

A Table Top  1PC	B Long Metal Frame  1PC	C Short Metal Frame  2PCS	D Bolt 1/4"X1-3/4"  11PCS
E Lock Washer 1/4"  11PCS	F Flat Washer 1/4"X16mm  11PCS	G Allen Key 4mm  1PC	

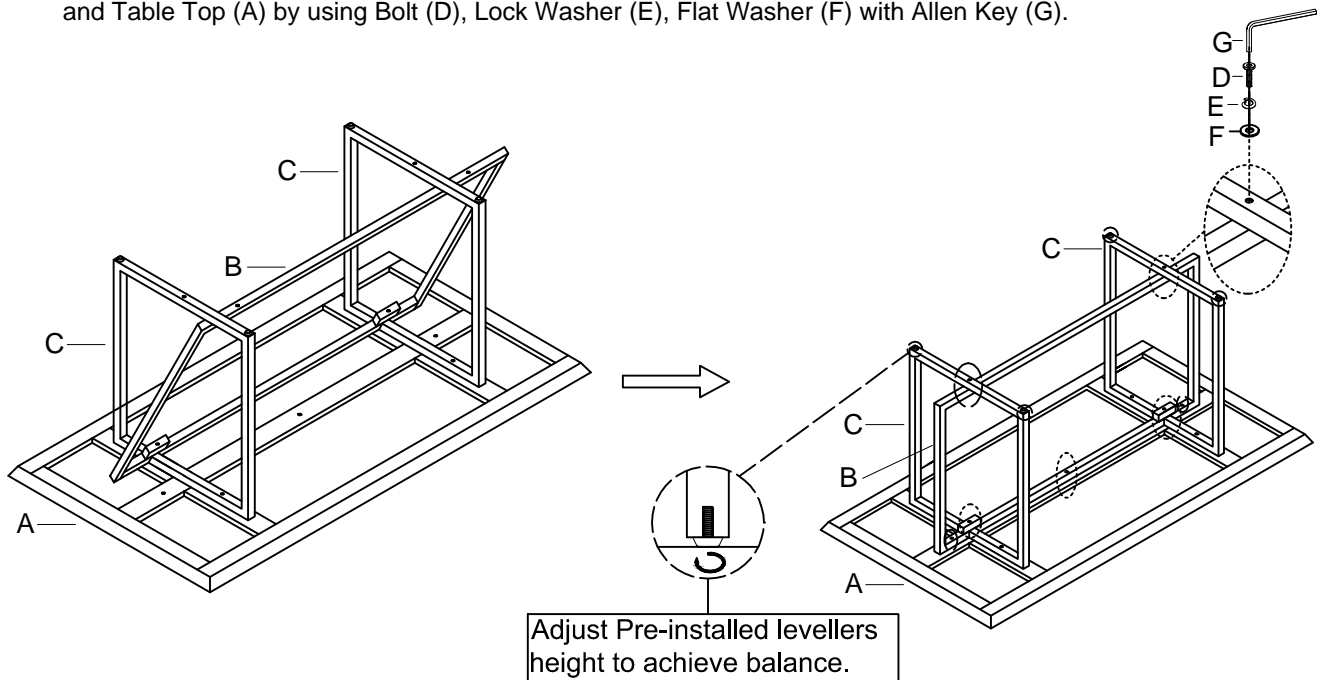


This page lists all the contents included in the box. Please take the time to identify the hardware as well as the individual components to this product. As you unpack and prepare for assembly, place the contents on a carpeted or padded area to protect them from damage.

1 Lock Short Metal Frame (C) on the bottom of Table Top (A) by using Bolt (D), Lock Washer (E), Flat Washer (F) with Allen Key (G).



2 Incline Long Metal Frame (B) through Short Metal Frame (C), align the holes of Long Metal Frame (B) with the holes of Short Metal Frame (C) and stand it up. Then, tighten Long Metal Frame (B), Short Metal Frame (C) and Table Top (A) by using Bolt (D), Lock Washer (E), Flat Washer (F) with Allen Key (G).



Cleaning & Care

Treat surface with care. Surface is resistant to scratches but is not scratch resistant. Clean surfaces with a dry or damp soft cloth. Do not use abrasive cleaners. Hardware may loosen over time. Periodically check that all connections are tight.