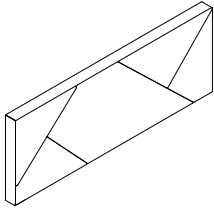


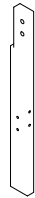
ASSEMBLY INSTRUCTION

UPHOLSTERED PLATFORM FULL BED UPHOLSTERED PLATFORM QUEEN BED

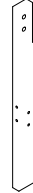
A Headboard **B** Headboard Leg - Left **C** Headboard Leg - Right **D** Headboard Stretcher



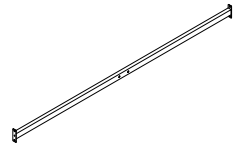
1PC



1PC

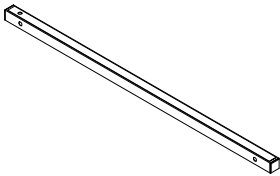


1PC

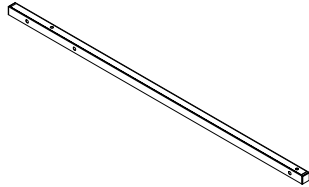


1PC

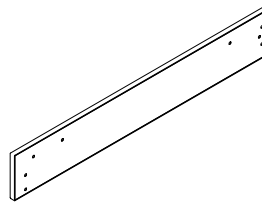
E Rail Cleat - Front **F** Rail Cleat - Rear **G** Left Side Rail - Front **H** Left Side Rail - Rear



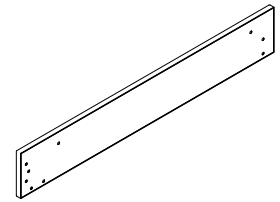
2PCS



2PCS

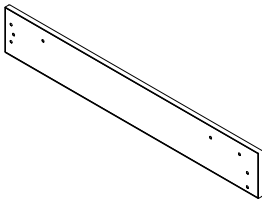


1PC

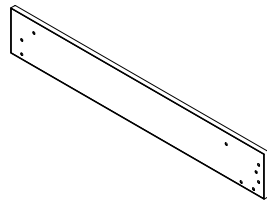


1PC

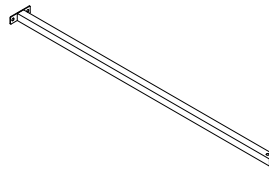
I Right Side Rail - Front **J** Right Side Rail - Rear **K** Center Rail **L** Support Bar



1PC



1PC

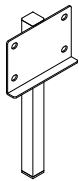


2PCS



1PC

M Rail Support Leg **N** Center Support Leg **O** Footboard Leg **P** Footboard



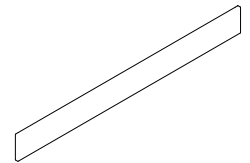
2PCS



3PCS

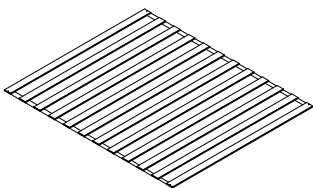


2PCS

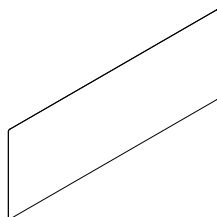


1PC

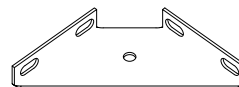
Q Slat **R** Fabric Cover **S** Bracket 20 x 106 x 106 x 2mm **T** Bracket 37 x 45 x 82 x 2mm



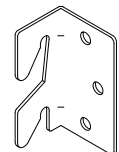
1SET (12PCS)



1PC

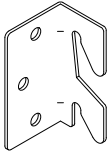


2PCS



2PCS

U Bracket
37 x 45 x 82 x 2mm



2PCS

Y Bolt
1/4" x 30mm



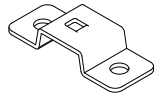
10PCS

AC Washer
Ø16mm



16PCS

V Bracket
11.5 x 25 x 65 x 2mm



1PC

Z Bolt
5/16" x 48mm



4PCS

AD Washer
Ø19mm



4PCS

W Bolt
1/4" x 19mm



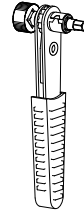
44PCS

AA Nut
1/4"



2PCS

AE Ratchet Tool
4mm



1PC

X Bolt
1/4" x 40mm



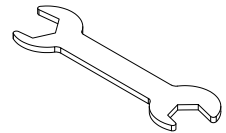
12PCS

AB Nut
M8

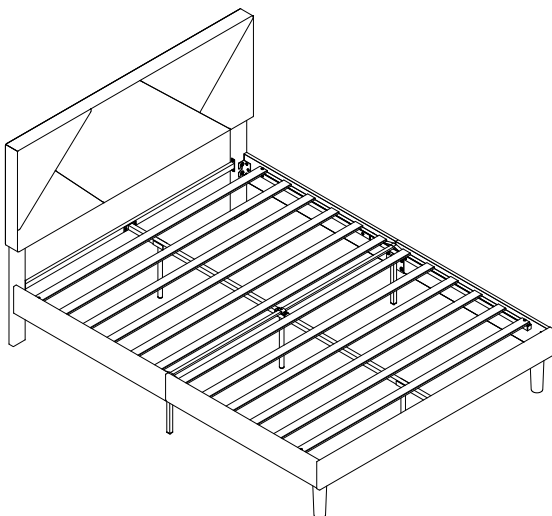


2PCS

AF Wrench
1/4" x 5/16"



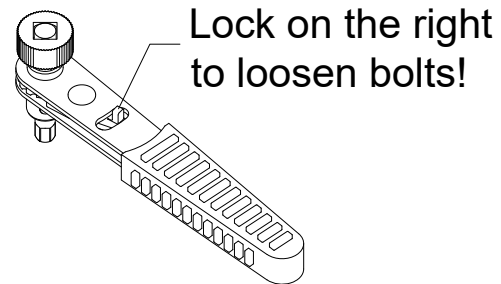
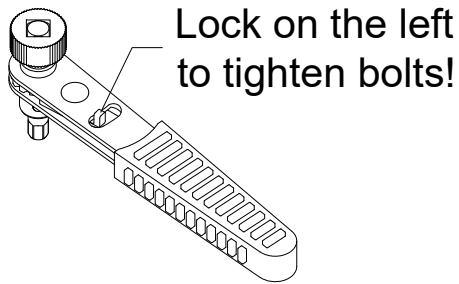
1PC



These pages list all the contents included in the box. Please take the time to identify the hardware as well as the individual components to this product. As you unpack and prepare for assembly, place the contents on a carpeted or padded area to protect them from damage.

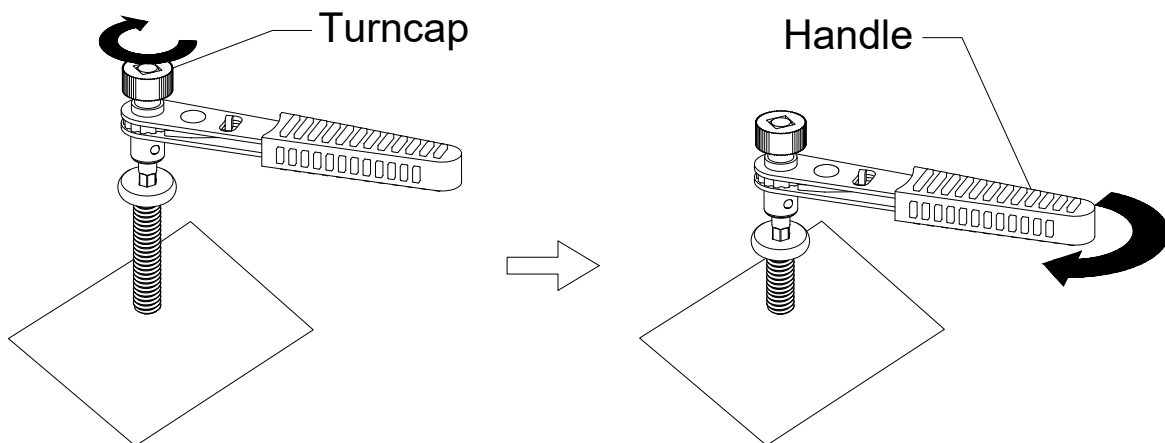
How to Use the Ratchet Tool (AE)

1. Before assembling the furniture, please adjust the lock as needed.

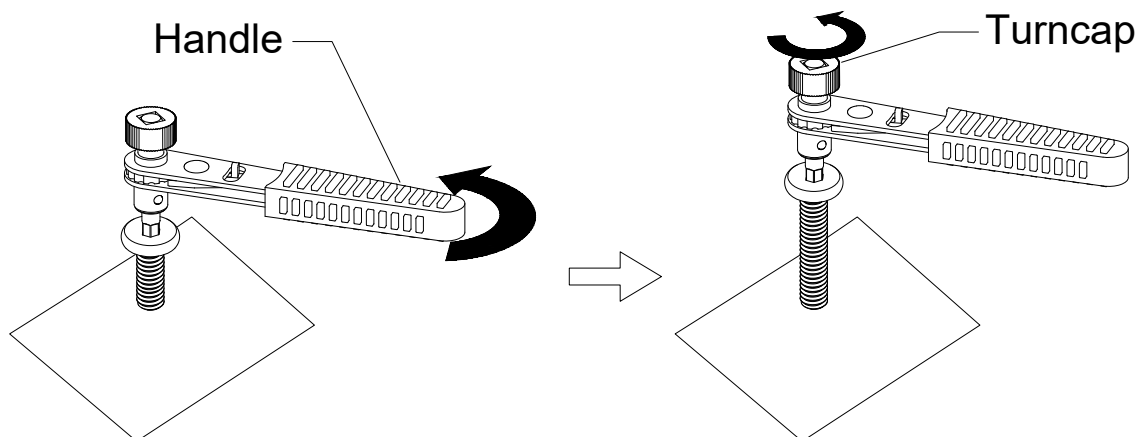


2. Tighten or loosen bolts.

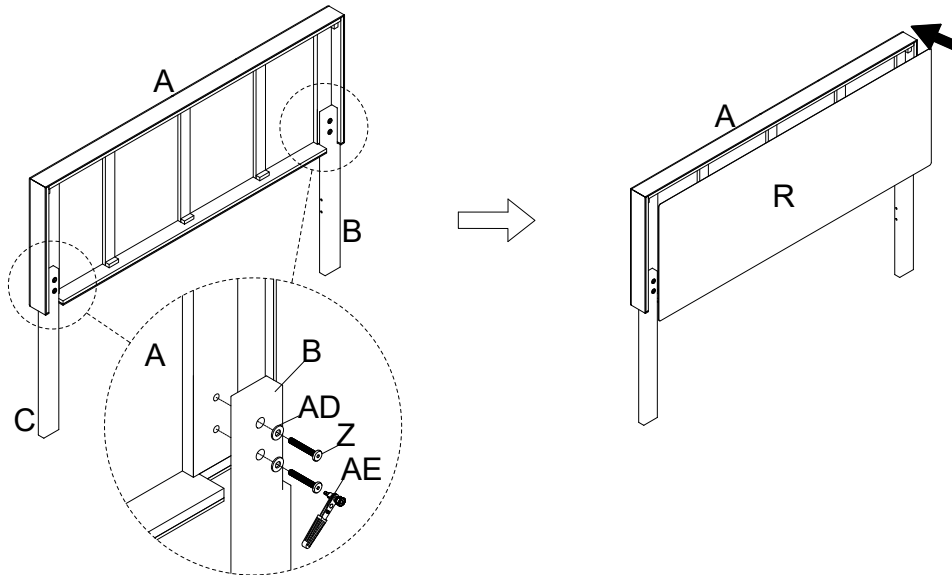
- **Tighten bolts:** Locate the turncap and rotate it clockwise to screw the bolt quickly until it cannot be rotated any more. Then start rotating the handle clockwise to finalize tightening the bolt.



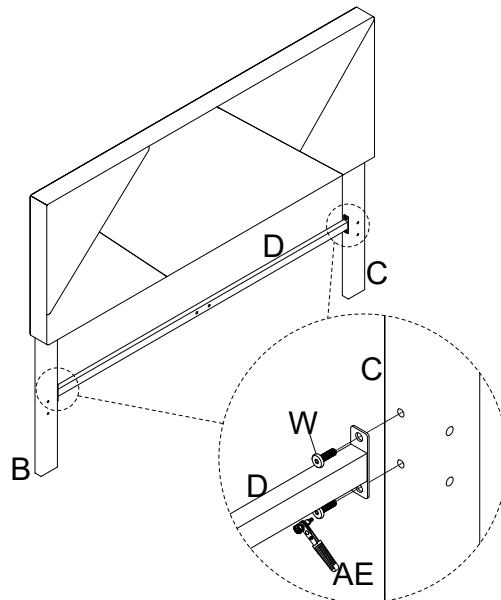
- **Loosen bolts:** Rotate the handle counterclockwise to loosen the bolt. Then continue rotating the turncap in the same direction to remove the bolt completely.



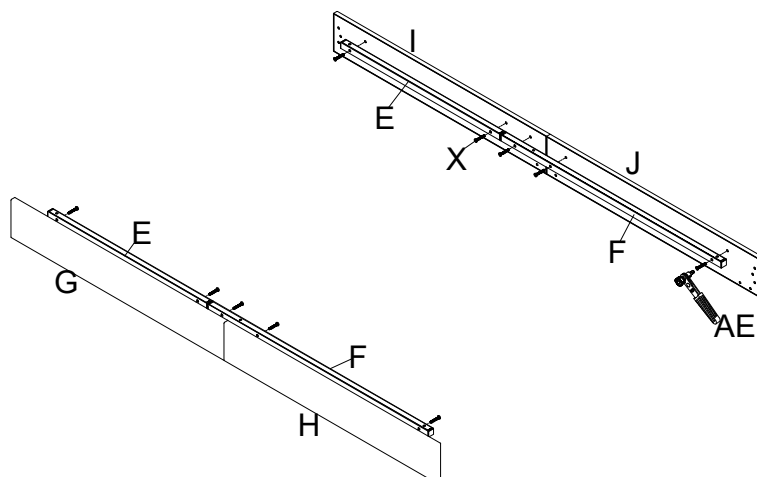
1 Attach Headboard Leg (B & C) to Headboard (A) using Bolt (Z) and Washer (AD) with Ratchet Tool (AE). Then cover Headboard (A) with Fabric Cover (R).



2 Attach Headboard Stretcher (D) to Headboard Leg (B & C) using Bolt (W) with Ratchet Tool (AE).

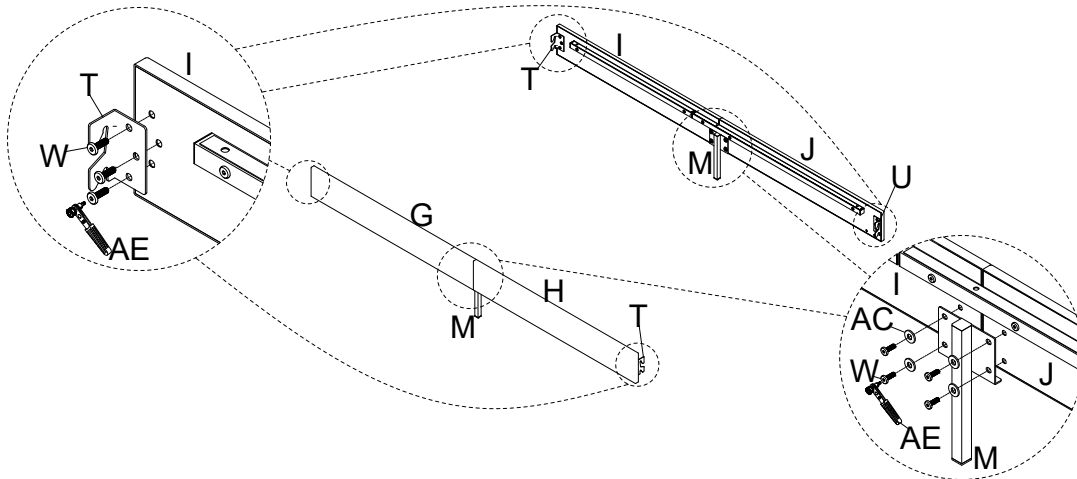


3 Attach Rail Cleat (E & F) to Left & Right Side Rail (G & H & I & J) using Bolt (X) with Ratchet Tool (AE).

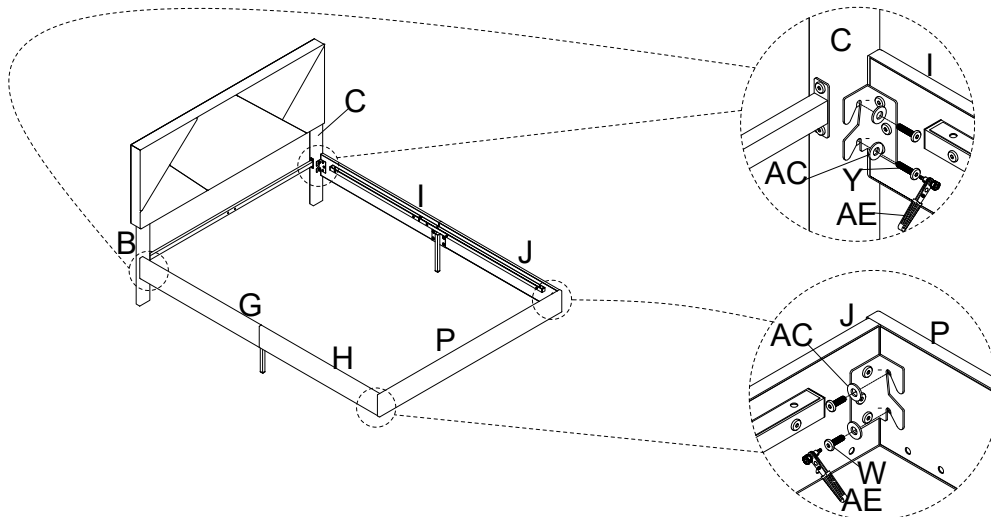


4

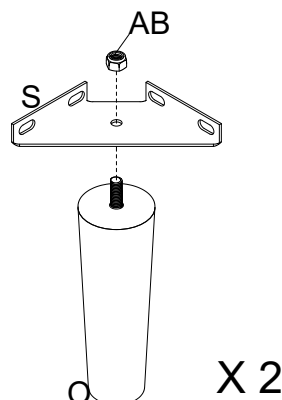
Attach Bracket (T) to Left Side Rail - Rear (H) and Right Side Rail - Front (I) using Bolt (W) with Ratchet Tool (AE). Attach Bracket (U) to Left Side Rail - Front (G) and Right Side Rail - Rear (J) using Bolt (W) with Ratchet Tool (AE). Then attach Rail Support Leg (M) to Left & Right Side Rail (G & H & I & J) using Bolt (W) and Washer (AC) with Ratchet Tool (AE).

**5**

Attach Left Side Rail - Front (G) and Right Side Rail - Front (I) to Headboard Leg (B & C) using Bolt (Y) and Washer (AC) with Ratchet Tool (AE). Then attach Left Side Rail - Rear (H) and Right Side Rail - Rear (J) to Footboard (P) using Bolt (W) and Washer (AC) with Ratchet Tool (AE).

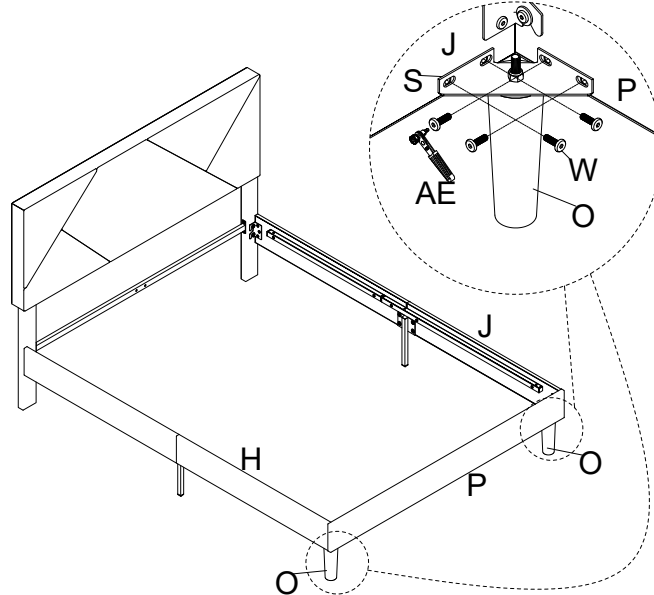
**6**

Attach Bracket (S) to Footboard Leg (O) and tighten with Nut (AB).

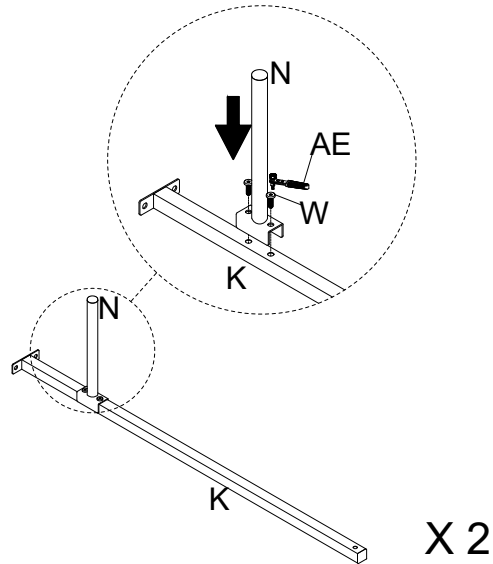


7

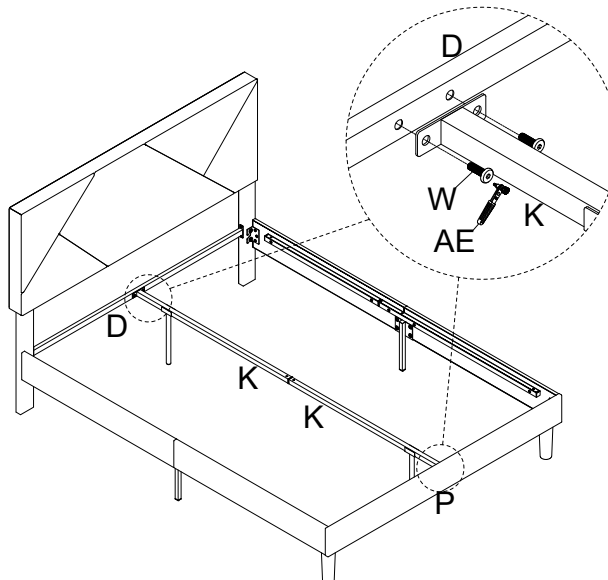
Attach Footboard Leg (O) to Left Side Rail - Rear (H), Right Side Rail - Rear (J) and Footboard (P) by Bracket (S) using Bolt (W) with Ratchet Tool (AE).

**8**

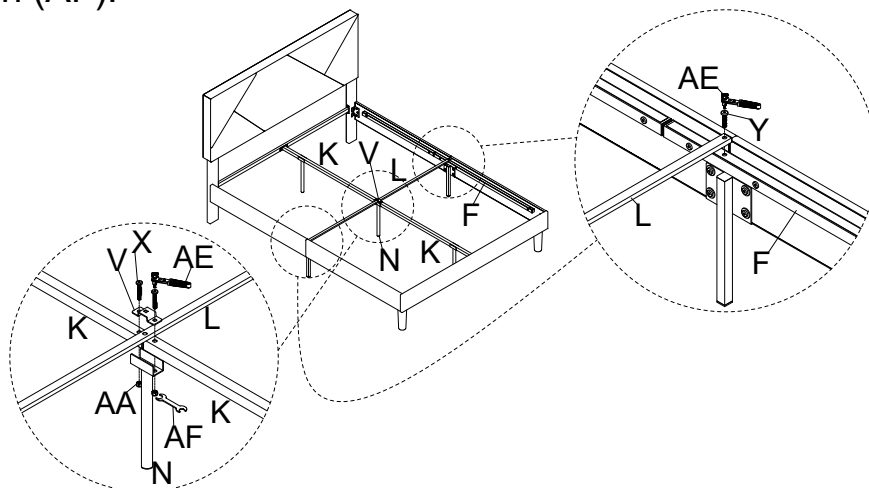
Attach Center Support Leg (N) to Center Rail (K) using Bolt (W) with Ratchet Tool (AE).

**9**

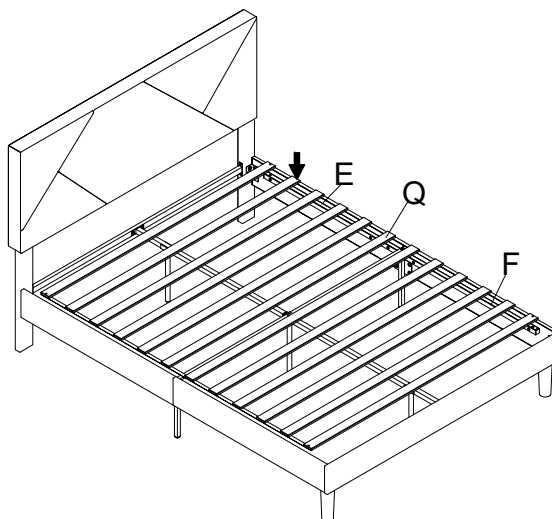
Attach Center Rail (K) to Headboard Stretcher (D) and Footboard (P) using Bolt (W) with Ratchet Tool (AE).



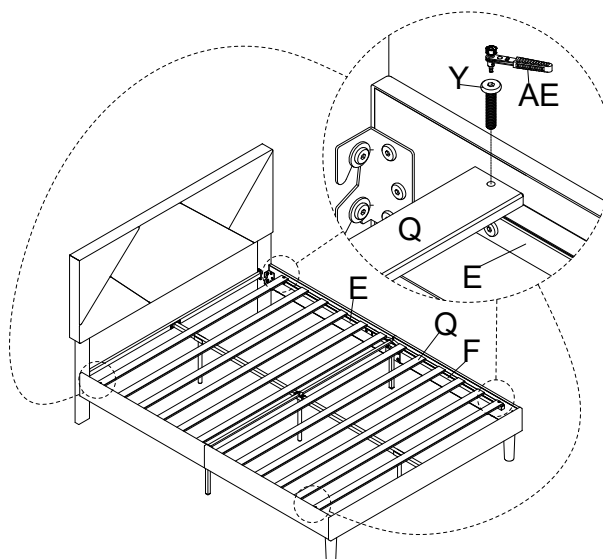
10 Attach Support Bar (L) to Rail Cleat - Rear (F) using Bolt (Y) with Ratchet Tool (AE). Then assemble Bracket (V), Support Bar (L), Center Rail (K) and Center Support Leg (N) using Bolt (X) and Nut (AA) with Ratchet Tool (AE) and Wrench (AF).



11 Expand and attach Slat (Q) to Rail Cleat (E & F).



12 Insert Bolt (Y) into Slat (Q) and Rail Cleat (E & F) and tighten with Ratchet Tool (AE).



Cleaning & Care

Treat surfaces with care. Surfaces are resistant to scratches but are not scratch resistant. Clean surfaces with a dry or damp soft cloth. Do not use abrasive cleaners. Hardware may loosen over time. Periodically check that all connections are tight.