


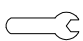


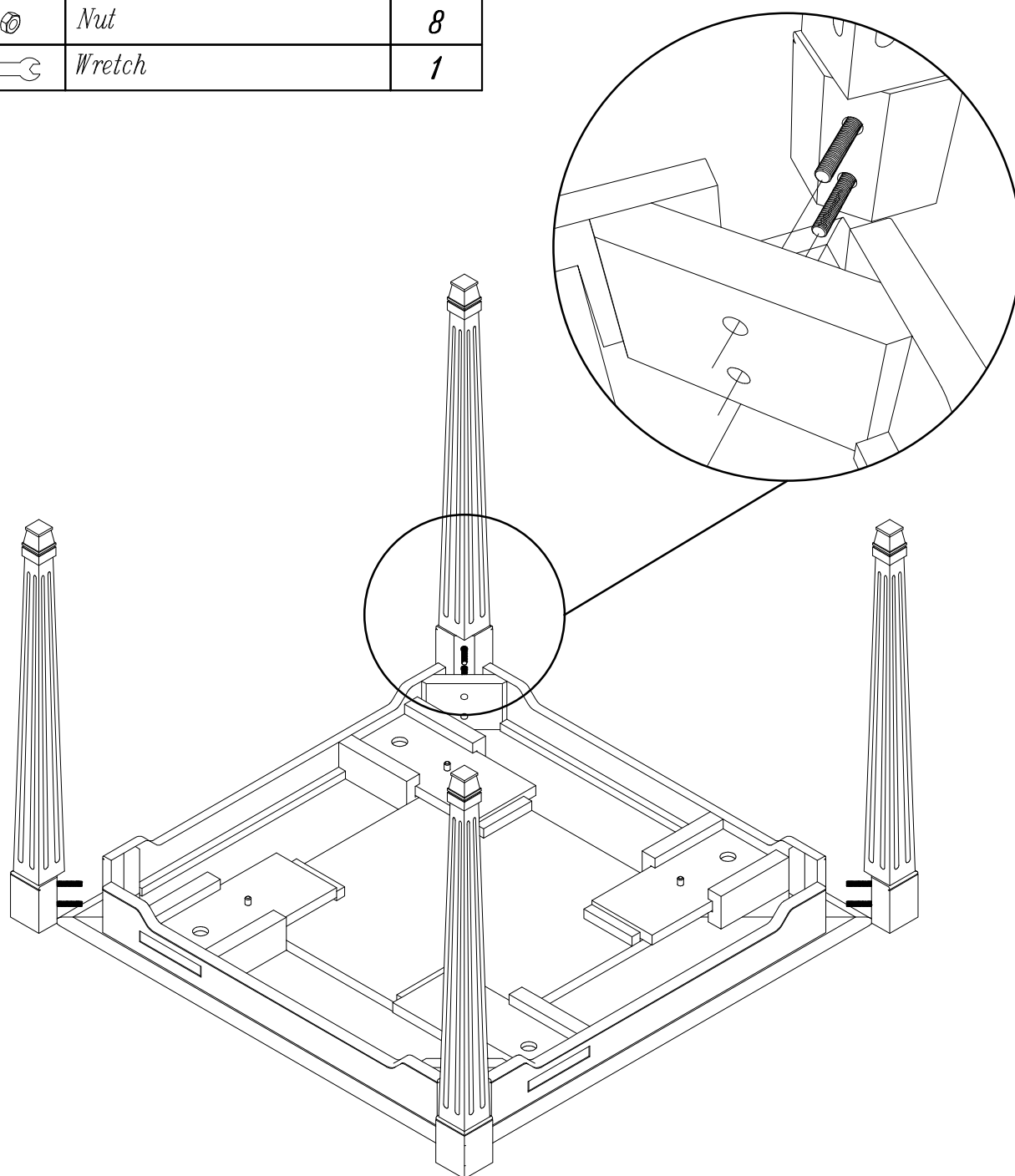
HEKMAN

X A HOWARD MILLER COMPANY

ASSEMBLY INSTRUCTIONS

27591 - GAME TABLE

NO.	Hardware List		Q'ty
A		Lock Washer 5/16" Dia	8
B		Flat Washer 5/16" Dia	8
C		Nut	8
D		Wrench	1



PLACE THE GAME TABLE UPSIDE DOWN ON SOFT AND CLEAN SURFACE TO PREVENT SCRATCHING

1. ATTACH THE FOUR LEGS TO THE TABLE TOP
2. SECURE THE FOUR LEGS WITH NUT (C), FLAT WASHER (B), LOCK WASHER (A), USING WRENCH (D)

MADE IN INDONESIA